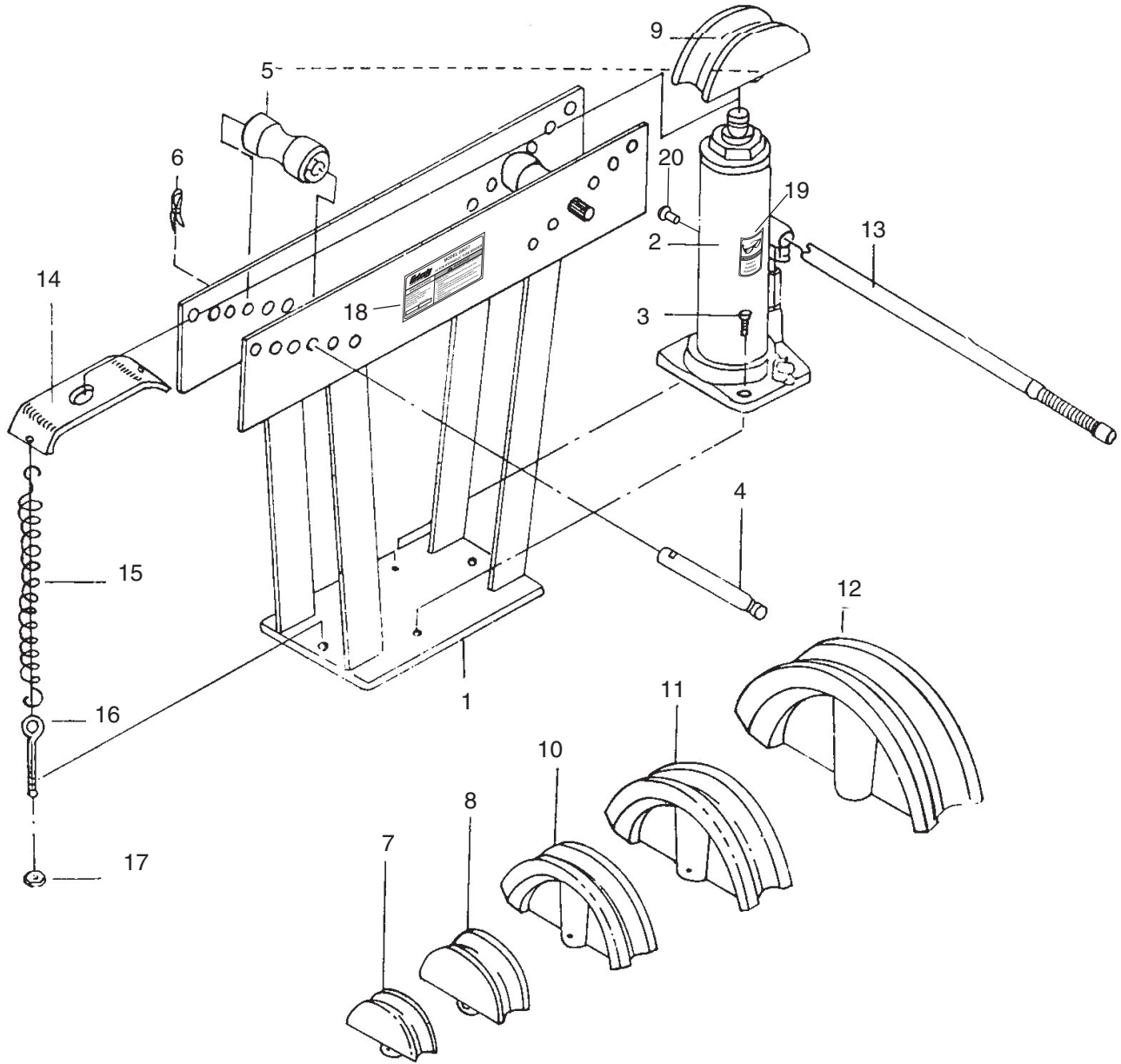


## G9017 Parts Breakdown

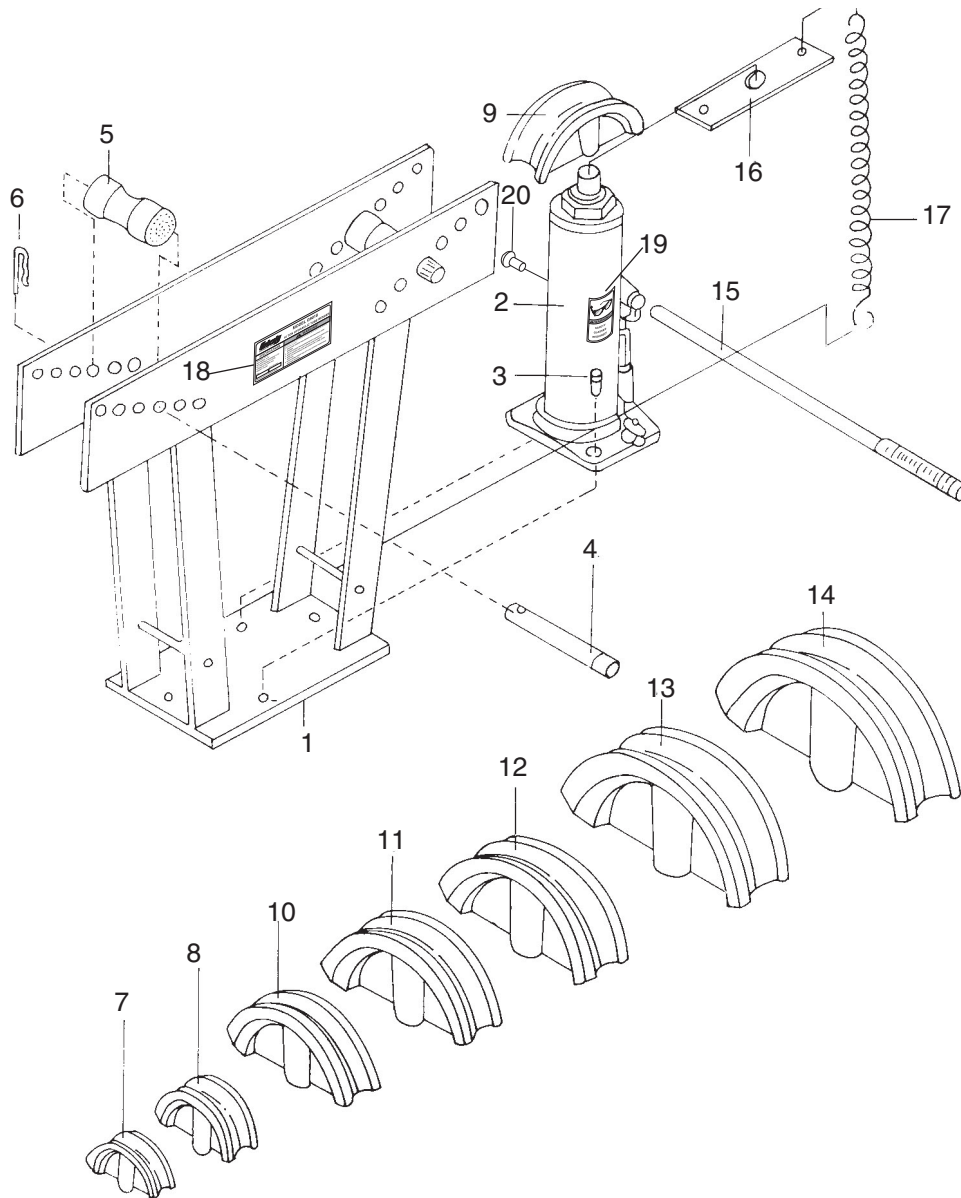


## G9017 Parts List

REF	PART #	DESCRIPTION
1	P9017001	FRAME
2	P9017002	12 TON BOTTLE JACK
3	PSB146M	CAP SCREW M10-1.5 X 15
4	P9017004	ROLLER SHAFT
5	P9017005	ROLLER
6	P9017006	HITCH PIN
7	P9017007	1/2" BENDING DIE
8	P9017008	3/4" BENDING DIE
9	P9017009	1" BENDING DIE
10	P9017010	1-1/4" BENDING DIE

REF	PART #	DESCRIPTION
11	P9017011	1-1/2" BENDING DIE
12	P9017012	2" BENDING DIE
13	P9017013	PUMP HANDLE BAR
14	P9017014	SPRING PLATE
15	P9017015	EXTENS. SPRING 35 X 4.5 X 21.5
16	P9017016	EYE BOLT
17	PN03M	HEX NUT M8-1.25
18	P9017018	MACHINE ID LABEL
19	PLABEL 11	LABEL (SAFETY GLASSES)
20	P9017019	FILL PLUG

## G9018 Parts Breakdown



## G9018 Parts List

REF	PART #	DESCRIPTION
1	P9018001	FRAME
2	P9018002	16 TON LONG RAM JACK
3	PSB61M	CAP SCREW M10-1.5 X 20
4	P9018004	ROLLER SHAFT
5	P9018005	ROLLER
6	P9018006	HITCH PIN
7	P9018007	1/2" BENDING DIE
8	P9018008	3/4" BENDING DIE
9	P9018009	1" BENDING DIE
10	P9018010	1-1/4" BENDING DIE

REF	PART #	DESCRIPTION
11	P9018011	1-1/2" BENDING DIE
12	P9018012	2" BENDING DIE
13	P9018013	2-1/2" BENDING DIE
14	P9018014	3" BENDING DIE
15	P9018015	PUMP HANDLE BAR
16	P9018016	SPRING PLATE
17	P9018017	EXTENS. SPRING 35 X 1.5 X 21.5
18	P9018018	MACHINE ID LABEL
19	PLABEL 11	LABEL (SAFETY GLASSES)
20	P9018020	FILL PLUG