

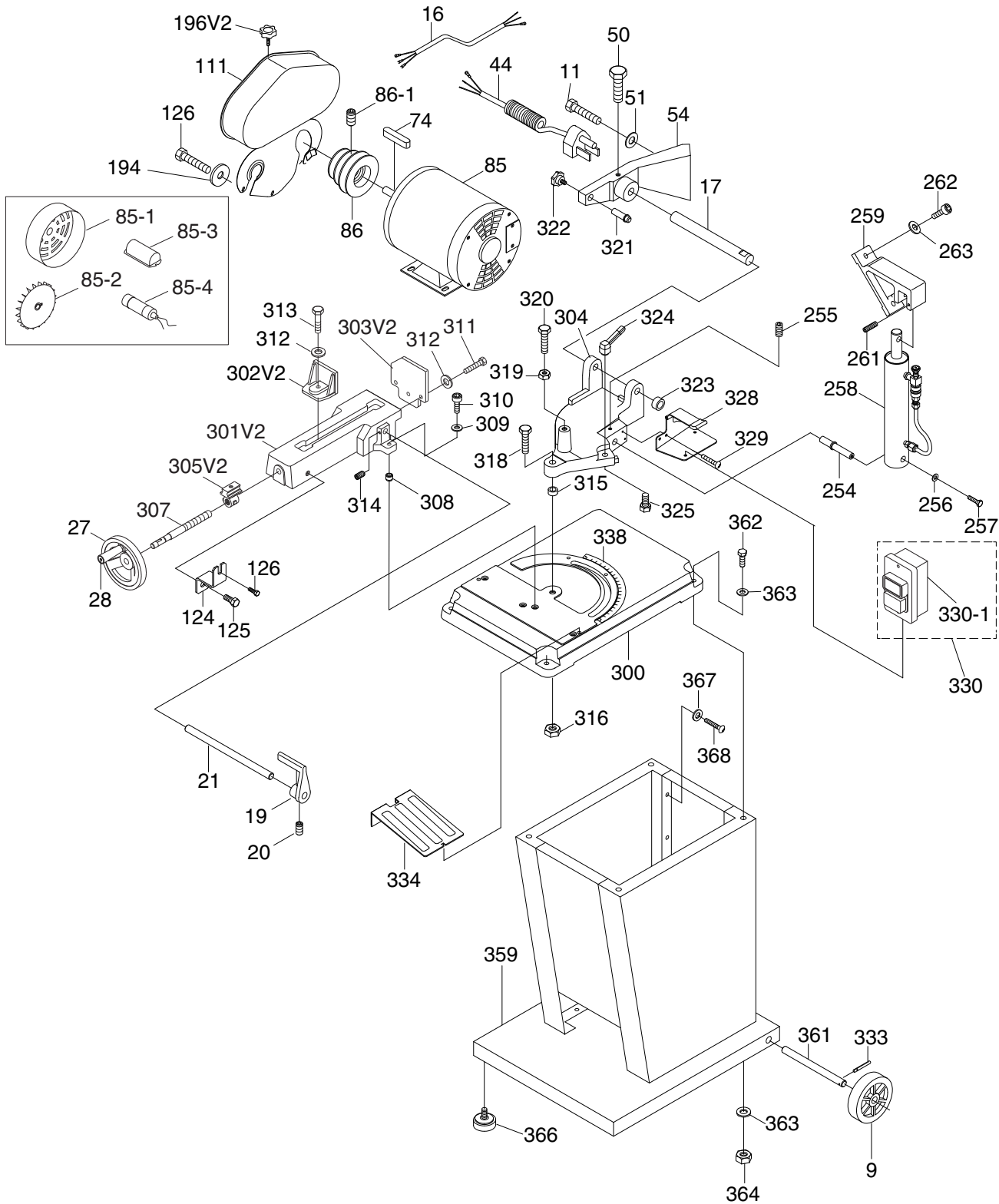
Saw Parts List

REF	PART #	DESCRIPTION
1	P9742001	HEX BOLT 5/16-18 X 3/4
2	P9742002	HEX NUT 1/4-20
3	P9742003	FLAT WASHER 1/4
8	P9742008	FLAT WASHER 5/16
11	P9742011	HEX BOLT 5/16-18 X 1
12	P9742012	HEX NUT 5/16-18
31	P9742031	HEX BOLT 5/16-18 X 1
35	P9742035	LOCK WASHER 3/8
48	P9742048	PHLP HD SCR 10-24 X 3/8
50	P9742050	HEX BOLT 5/16-18 X 3/4
51	P9742051	FLAT WASHER 5/16
58	P9742058	KNOB 1/4-20 X 5/8
59A	P9742059A	BLADE BACK SAFETY COVER V2.11.06
66	P9742066	KNOB 3/8-16 X 1-1/4
71	P9742071	BLADE WHEEL FRONT
71-1	P9742071-1	SET SCREW 5/16-18 X 5/16
72	P9742072	BEARING COVER
73	P9742073	KEY 5 X 5 X 25
75	P9742075	HEX BOLT 1/4-20 X 5/8
76	P9742076	SWITCH CUT OFF TIP
79	P9742079	BLADE TENSION ADJ KNOB
80	P9742080	COMPRESSION SPRING
81	P9742081	BODY FRAME
83	P9742083	HEX BOLT 1/2-12 X 1-1/2
84	P9742084	MOTOR MOUNT PLATE
89	P9742089	OIL SEAL

REF	PART #	DESCRIPTION
92	P9742092	GEAR BOX GASKET
93	P9742093	COVER
97	P9742097	PHLP HD SCR M5-.8 X 12
98	P9742098	KNOB 5/16-18 X 45
100	P9742100	PHLP HD SCR 8-32 x 1/4
101	P9742101	WORM GEAR PULLEY
101-1	P9742101-1	SET SCREW 5/16-18 X 5/8
102	P9742102	LOCK WASHER 5/16
103	P9742103	BLADE TENSION SLIDING PLATE
104	P9742104	SET SCREW 5/16-18 X 5/8
108	P9742108	SHAFT BLOCK
109	P9742109	BLADE TENSION SLIDING GUIDE
112	P9742112	V-BELT A-22 4L220
113	P9742113	BLADE 64-1/2 X 1/2 X.025
120	P9742120	BUSHING 19 X 17 X 7
123	P9742123	HEX BOLT 1/4-20 X 3/4
132	P9742132	SAFETY GUARD RIGHT
133	P9742133	PHLP HD SCR 10-24 X 3/8
134	P9742134	WIRE CLAMP
182	P9742182	FLAT WASHER 5/16
198	P9742198	EXT RETAINING RING 15MM
199	P9742199	HEX BOLT 5/16-18 X 1
200	P9742200	CAP SCREW 1/4-20 X 1/2
201	P9742201	HEX NUT 5/16-18
320	P9742320	HEX BOLT 3/8-16 X 2



Stand Parts Breakdown



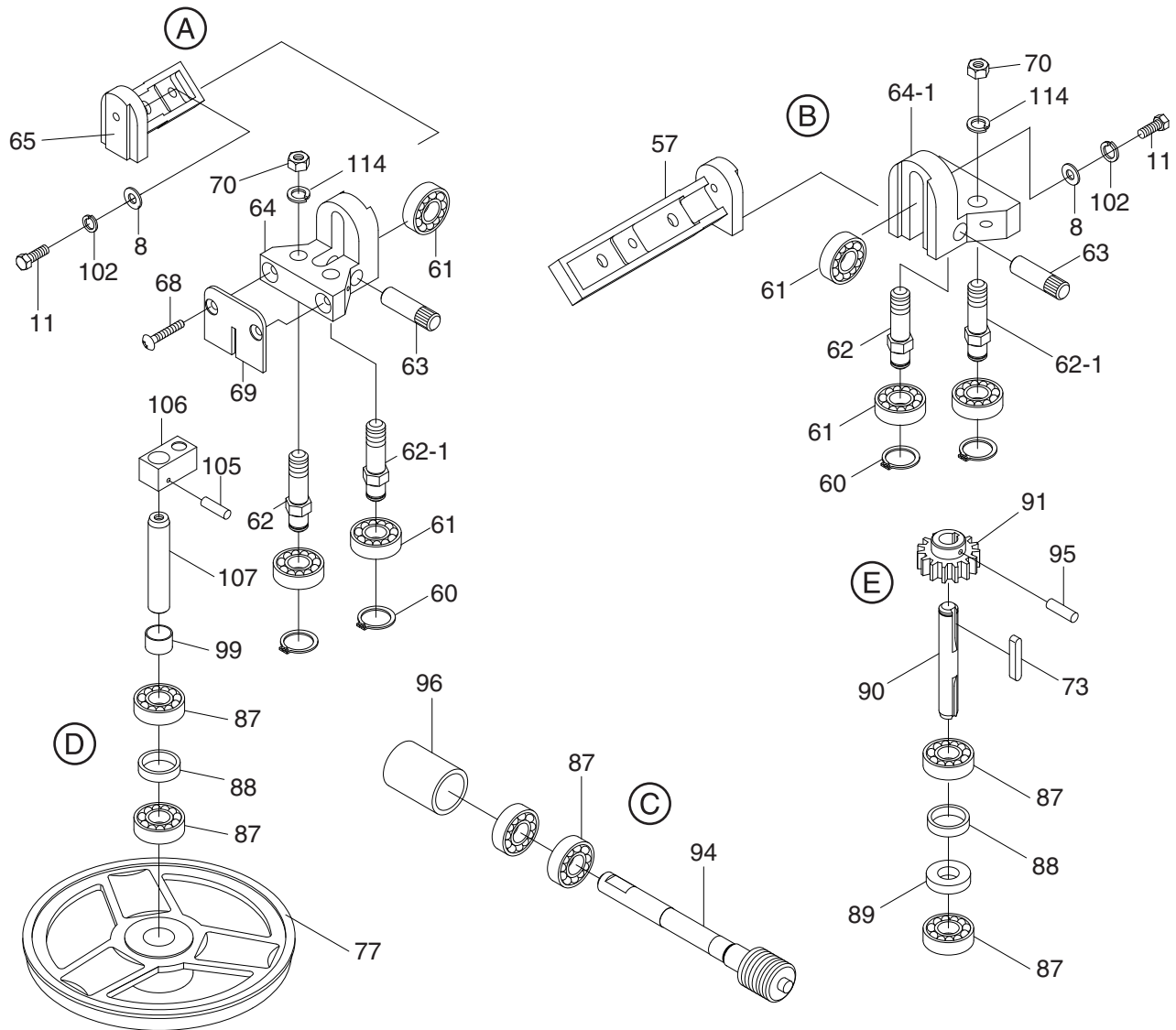
Stand Parts List

REF	PART #	DESCRIPTION
9	P9742009	WHEEL
11	P9742011	HEX BOLT 5/16-18 X 1
16	P9742016	MOTOR CABLE
17	P9742017	PIVOTING ROD
19	P9742019	WORK STOP
20	P9742020	SET SCREW 5/16-18 X 5/16
21	P9742021	STOCK STOP ROD 1/2 X 216
27	P9742027	HANDWHEEL HANDLE
28	P9742028	HANDWHEEL
44	P9742044	POWER CABLE
50	P9742050	HEX BOLT 5/16-18 X 3/4
51	P9742051	FLAT WASHER 5/16
54	P9742054	PIVOT
74	P9742074	KEY 5 X 5 X 30
85	P9742085	MOTOR 1/2 HP
85-1	P9742085-1	MOTOR FAN COVER
85-2	P9742085-2	MOTOR FAN
85-3	P9742085-3	CAPACITOR COVER
85-4	P9742085-4	S. CAPACITOR 200MFD 125VAC
86	P9742086	MOTOR PULLEY
86-1	P9742086-1	SET SCREW 5/16-18 X 5/16
111	P9742111	PULLEY COVER ASSEMBLY
124	P9742124	SHIPPING BRACKET
125	P9742125	HEX BOLT 5/16-18 X 1/2
126	P9742126	PHLP HD SCR 1/4-20 X 1/2
194	P9742194	FENDER WASHER 1/4
196V2	P9742196V2	KNOB #8 X 3/4 V2.06.08
254	P9742254	SUPPORT ROD
255	P9742255	SET SCREW 1/4-20 X 5/16
256	P9742256	FLAT WASHER #8
257	P9742257	HEX BOLT #8-32 X 1/2
258A	P9742258A	CYLINDER ASSEMBLY V2.06.06
259	P9742259	CYLINDER UPPER SUPPORT
261	P9742261	SET SCREW #8-32 X 5/16
262	P9742262	CAP SCREW 1/4-20 X 3/4
263	P9742263	LOCK WASHER 1/4
300	P9742300	BASE
301A	P9742301A	WISE BASE V2.01.08

REF	PART #	DESCRIPTION
302A	P9742302A	WISE JAW BRACKET-FRONT V2.01.08
303A	P9742303A	VICE JAW BRACKET-REAR V2.01.08
304	P9742304	SWIVEL BASE UPPER
305A	P9742305A	BRACKET W/NUT V2.01.08
306	P9742306	ACME NUT
307A	P9742307A	ACME SCREW V2.01.08
308	P9742308	BUSHING
309	P9742309	LOCK WASHER 5/16
310	P9742310	CAP SCREW 5/16-18 X 1/2
311	P9742311	HEX BOLT 5/16-18 X 3/4
312	P9742312	LOCK WASHER 5/16
313	P9742313	HEX BOLT 5/16-18 X 1-1/4
314	P9742314	SET SCREW 1/4-20 X 3/8
315	P9742315	POSITIONING RING
316	P9742316	HEX NUT 1/2-12
318	P9742318	HEX BOLT 1/2-13 X 2-1/2
319	P9742319	HEX NUT 3/8-16
321	P9742321	POSITION PIN
322	P9742322	POSITION KNOB
323	P9742323	BUSHING
324	P9742324	HANDLE
325	P9742325	CARRIAGE BOLT 3/8-16 X 1 3/4
328	P9742328	SWITCH BASE
329	P9742329	PHLP HD SCR #10-24 X 3/8
330	P9742330	TWO-BUTTON SWITCH W/ SWITCH BOX
330-1	P9742330-1	TWO-BUTTON SWITCH
333	P9742333	COTTER PIN 3 X 25
334	P9742334	CHIP TRAY
338	P9742338	SCALE
359	P9742359	DELUXE STAND ASSEMBLY
361A	P9742361A	WHEEL ROD 21" TO 22" V2.04.04
362	P9742362	HEX BOLT M8-1.25 X 30
363	P9742363	LOCK WASHER 3/8
364	P9742364	HEX NUT M8-1.25
366	P9742366	RUBBER FOOT 3/8-16 X 1"
367	P9742367	FLAT WASHER 6MM
368	P9742368	PHLP HD SCR M6-1 X 12



Guides & Shafts Parts Breakdown

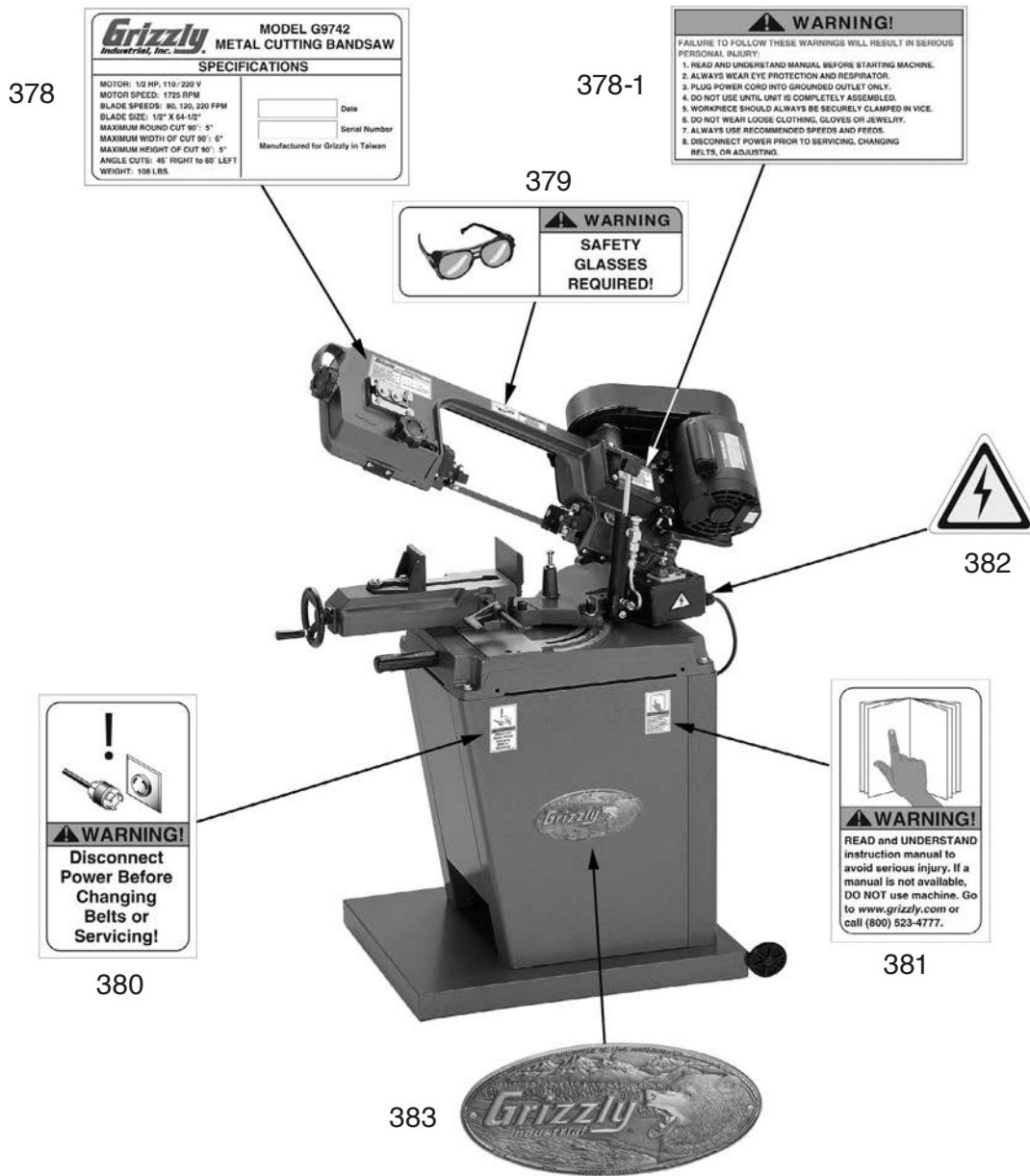


REF	PART #	DESCRIPTION
8	P9742008	FLAT WASHER 5/16
11	P9742011	HEX BOLT 5/16-18 X 1
57	P9742057	ADJUSTABLE BRACKET- LEFT
60	P9742060	EXT RETAINING RING 10MM
61	P9742061	BALL BEARING 6200ZZ
62	P9742062	GUIDE PIVOT LEFT
62-1	P9742062-1	GUIDE PIVOT RIGHT
63	P9742063	BEARING PIN
64	P9742064	BLADE GUIDE REAR
64-1	P9742064-1	BLADE GUIDE FRONT
65	P9742065	ADJUSTABLE BRACKET RIGHT
68	P9742068	FLAT HD SCR 1/4-20 X 1/2
69	P9742069	DEFLECTOR PLATE
70	P9742070	HEX NUT 3/8-16
73	P9742073	KEY 5 X 5 X 25

REF	PART #	DESCRIPTION
77	P9742077	BLADE WHEEL REAR
87	P9742087	BALL BEARING 6202ZZ
88	P9742088	BUSHING
89	P9742089	OIL SEAL
90	P9742090	TRANSMISSION WHEEL SHAFT
91	P9742091	WORM GEAR
94	P9742094	WORM GEAR SHAFT
95	P9742095	ROLL PIN 4 X 22
96	P9742096	BEARING BUSHING
99	P9742099	BUSHING
102	P9742102	LOCK WASHER 5/16
105	P9742105	ROLL PIN 4 X 20
106	P9742106	SHAFT BLOCK
107	P9742107	BLADE WHEEL SHAFT
114	P9742114	LOCK WASHER 3/8



Labels Parts Breakdown



REF	PART #	DESCRIPTION
378	P9742378	MACHINE ID LABEL
378-1	P9742378-1	MACHINE WARNINGS LABEL
379	P9742379	SAFETY GLASSES LABEL
380	P9742380	UNPLUG LABEL

REF	PART #	DESCRIPTION
381	P9742381	READ MANUAL LABEL
382	P9742382	ELECTRICITY LABEL
383	P9742383	GRIZZLY LOGO PLATE

WARNING

Safety labels warn about machine hazards and ways to prevent injury. The owner of this machine **MUST** maintain the original location and readability of the labels on the machine. If any label is removed or becomes unreadable, **REPLACE** that label before using the machine again. Contact Grizzly at (800) 523-4777 or www.grizzly.com to order new labels.

