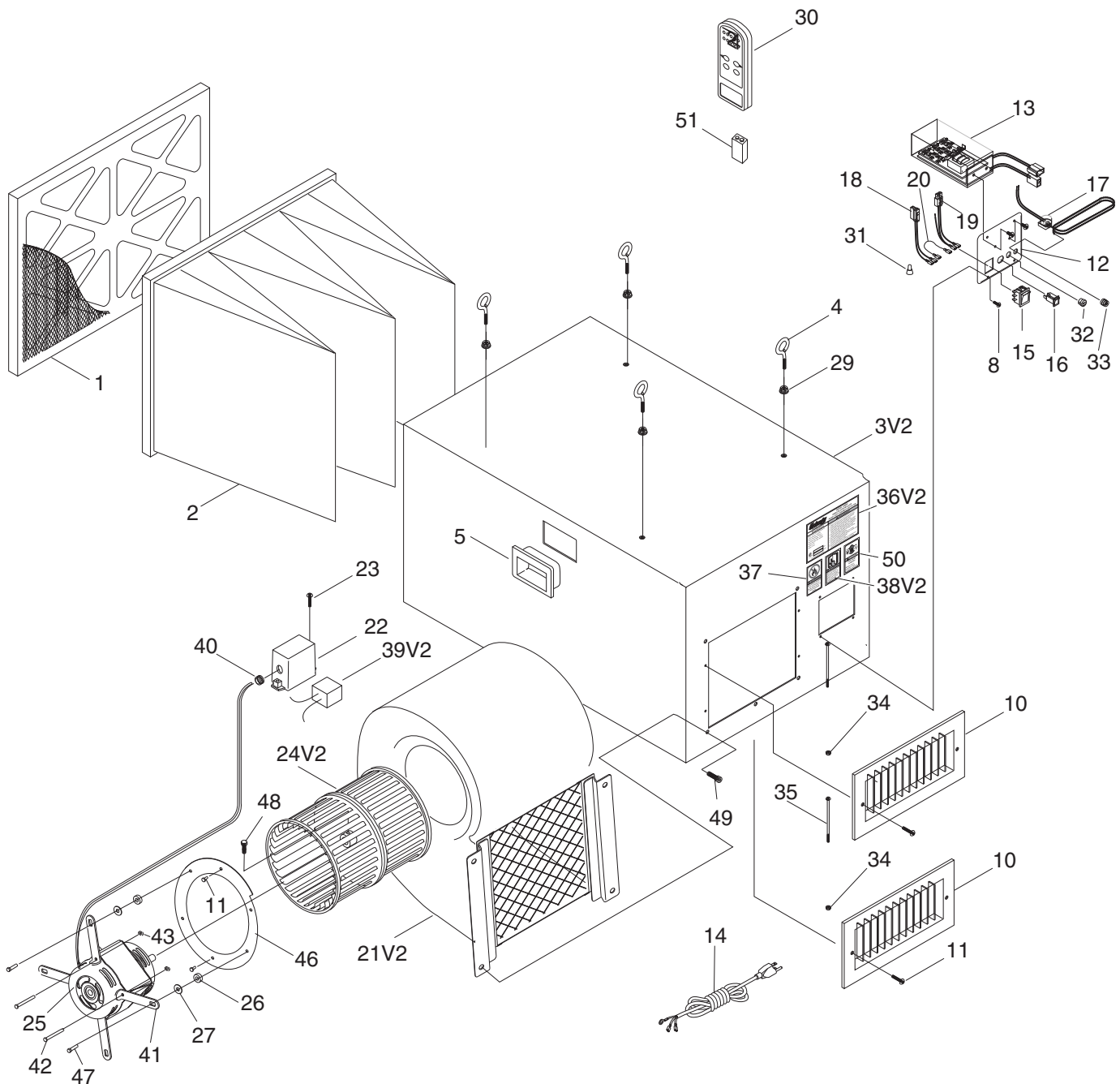


# SECTION 8: PARTS

## Main Breakdown



# Main Parts List

| REF  | PART #     | DESCRIPTION                |
|------|------------|----------------------------|
| 1    | P9956001   | 5-MICRON PRIMARY FILTER    |
| 2    | P9956002   | 1-MICRON SECONDARY FILTER  |
| 3V2  | P9956003V2 | BODY V2.03.12              |
| 4    | P9956004   | EYE BOLT 1/4-20 X 7/8      |
| 5    | P9956005   | HANDLE                     |
| 8    | P9956008   | PHLP HD SCR M4-.7 X 8      |
| 10   | P9956010   | OUTLET PORT                |
| 11   | P9956011   | PHLP HD SCR 10-24 X 1/2    |
| 12   | P9956012   | SWITCH COVER               |
| 13   | P9956013   | REMOTE RECEIVER            |
| 14   | P9956014   | PWR CORD 110V, LONG W/PLUG |
| 15   | P9956015   | SWITCH                     |
| 16   | P9956016   | CIRCUIT BREAKER 3AMP       |
| 17   | P9956017   | CHAIN SWITCH               |
| 18   | P9956018   | SWITCH CONNECTOR           |
| 19   | P9956019   | CIRCUIT BREAKER CONNECTOR  |
| 20   | P9956020   | JUMP CONNECTOR             |
| 21V2 | P9956021V2 | FAN HOUSING V2.12.09       |
| 22   | P9956022   | CAPACITOR COVER            |
| 23   | P9956023   | PHLP HD SCR 10-24 X 3/4    |
| 24V2 | P9956024V2 | PLASTIC FAN V2.12.09       |
| 25   | P9956025   | MOTOR 1/3HP 120V 1PH 60HZ  |
| 26   | P9956026   | RUBBER GROMMET             |

| REF  | PART #     | DESCRIPTION                      |
|------|------------|----------------------------------|
| 27   | P9956027   | FLAT WASHER 1/4                  |
| 29   | P9956029   | FLANGE NUT 1/4-20                |
| 30   | P9956030   | REMOTE CONTROL                   |
| 31   | P9956031   | CONNECTOR C4 16-24 GAUGE         |
| 32   | P9956032   | STRAIN RELIEF                    |
| 33   | P9956033   | ROUND NUT M4-.7 FOR CHAIN SWITCH |
| 34   | P9956034   | LOCK NUT M4-.7                   |
| 35   | P9956035   | PHLP HD SCR M4-.7 X 100          |
| 36V2 | P9956036V2 | MACHINE ID LABEL CSA V2.09.11    |
| 37   | P9956037   | EXPLOSION HAZARD LABEL           |
| 38V2 | P9956038V2 | READ MANUAL 2W X 3.3H V2.09.11   |
| 39V2 | P9956039V2 | CAPACITOR 20M 250V (SQ) V2.08.15 |
| 40   | P9956040   | RUBBER GROMMET                   |
| 41   | P9956041   | MOTOR BRACKET                    |
| 42   | P9956042   | PHLP HD SCR M5-.8 X 50           |
| 43   | P9956043   | LOCK NUT M5-.8                   |
| 46   | P9956046   | FAN HOUSING COVER                |
| 47   | P9956047   | FLANGE SCREW 1/4-20 X 1/2        |
| 48   | P9956048   | CAP SCREW 1/4-20 X 1/2           |
| 49   | P9956049   | BUTTON HEAD SCREW 5/16-18 X 1/2  |
| 50   | P9956050   | RESPIRATOR LABEL 3.8 X 2H        |
| 51   | P9956051   | BATTERY 9V                       |

