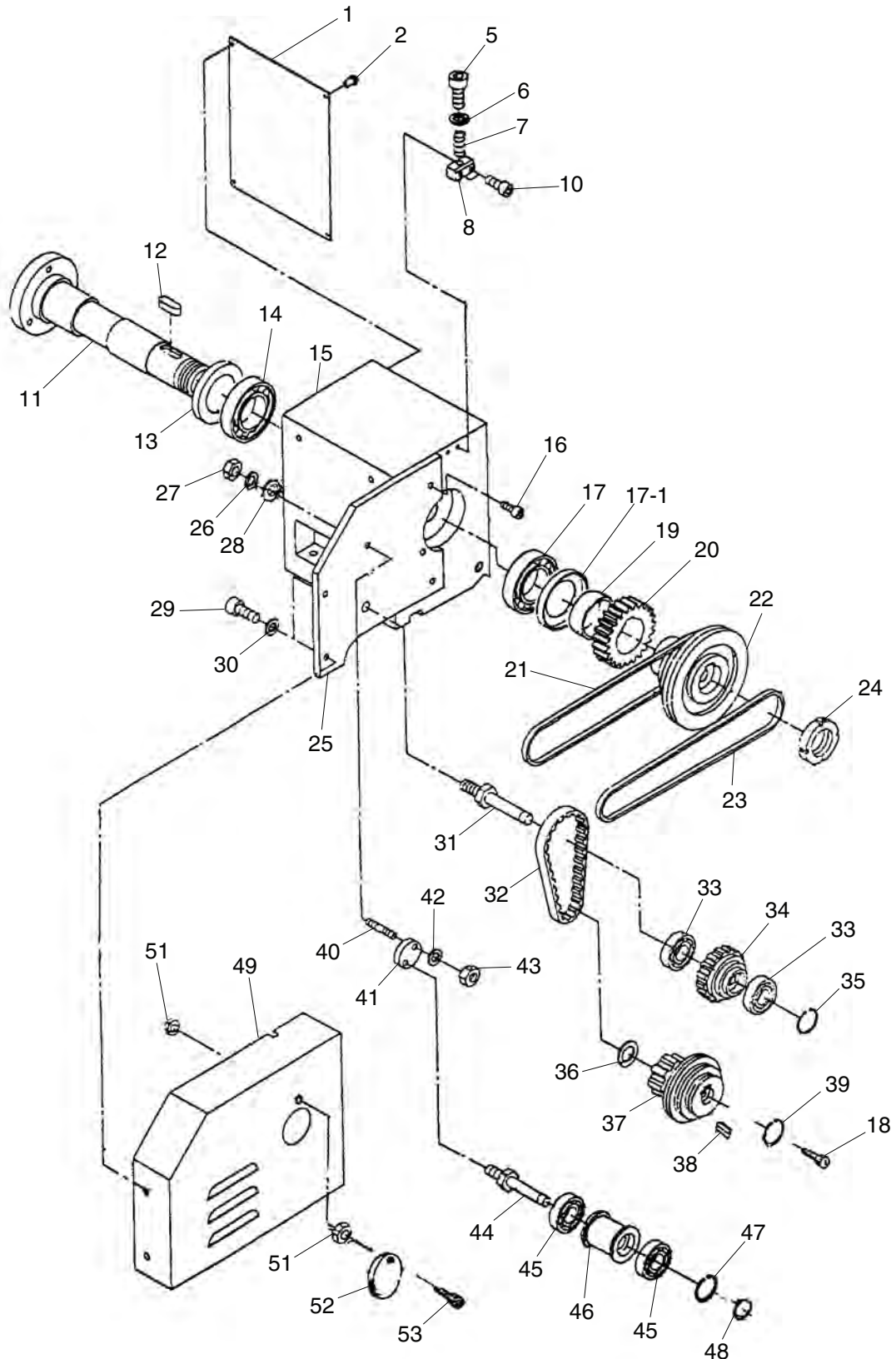


SECTION 9: PARTS

Headstock



Headstock Parts List

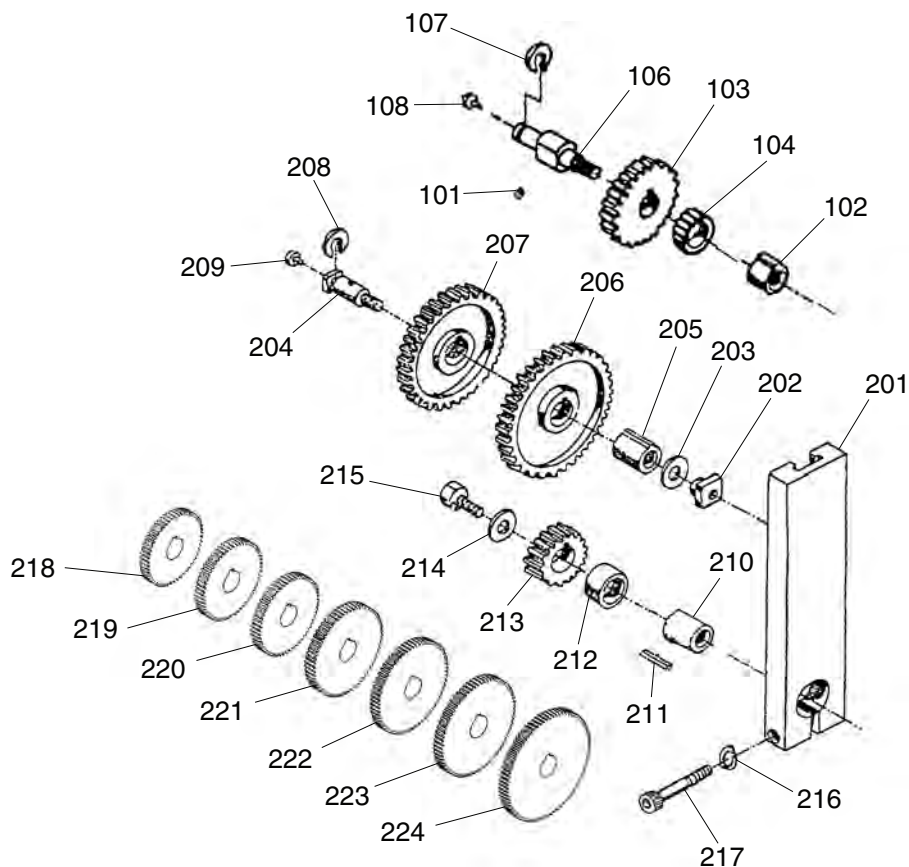
REF	PART #	DESCRIPTION
1	P9972Z0001	HEADSTOCK NAMEPLATE
2	P9972Z0002	PHLP HD SCR M4-.7 X 6
5	P9972Z0005	CAP SCREW M6-1 X 25
6	P9972Z0006	FLAT WASHER 6MM
7	P9972Z0007	COMPRESSION SPRING .8 X 8 X 20
8	P9972Z0008	THREADED BLOCK
10	P9972Z0010	CAP SCREW M6-1 X 25
11	P9972Z0011	SPINDLE
12	P9972Z0012	KEY 10 X 10 X 55
13	P9972Z0013	SPACER
14	P9972Z0014	TAPER ROLLER BEARING 32009
15	P9972Z0015	HEADSTOCK CASTING
16	P9972Z0016	CAP SCREW M8-1.25 X 20
17	P9972Z0017	TAPER ROLLER BEARING 32009
17-1	P9972Z0017-1	BEARING CAP
18	P9972Z0018	PHLP HD SCR M6-1 X 20
19	P9972Z0019	SPACER
20	P9972Z0020	GEAR 45T
21	P9972Z0021	V-BELT M-29 3L290
22	P9972Z0022	SPINDLE PULLEY
23	P9972Z0023	V-BELT M-32 3L320
24	P9972Z0024	SPANNER NUT M30-3.5
25	P9972Z0025	BRACKET PLATE
26	P9972Z0026	LOCK WASHER 10MM
27	P9972Z0027	HEX NUT M10-1.5

REF	PART #	DESCRIPTION
28	P9972Z0028	FLAT WASHER 10MM
29	P9972Z0029	CAP SCREW M5-.8 X 10
30	P9972Z0030	FLAT WASHER 30MM
31	P9972Z0031	IDLER SHAFT
32	P9972Z0032	TIMING BELT
33	P9972Z0033	BALL BEARING 6001 2RS
34	P9972Z0034	IDLER PULLEY
35	P9972Z0035	INT RETAINING RING 12MM
36	P9972Z0036	FLAT WASHER 18MM
37	P9972Z0037	MOTOR PULLEY
38	P9972Z0038	KEY 6 X 6 X 40
39	P9972Z0039	INT RETAINING RING 10MM
40	P9972Z0040	THREADED HANDLE ROD
41	P9972Z0041	PIVOT BRACKET
42	P9972Z0042	FLAT WASHER 10MM
43	P9972Z0043	HEX NUT M10-1.5
44	P9972Z0044	TENSIONING SHAFT
45	P9972Z0045	BALL BEARING 6001 2RS
46	P9972Z0046	IDLER ROLLER
47	P9972Z0047	INT RETAINING RING 28MM
48	P9972Z0048	EXT RETAINING RING 12MM
49	P9972Z0049	CHANGE GEAR COVER
51	P9972Z0051	HEX NUT M5-.8
52	P9972Z0052	OUTBOUND SPINDLE COVER
53	P9972Z0053	PHLP HD SCR M5-.8 X 12

Please Note: We do our best to stock replacement parts whenever possible, but we cannot guarantee that all parts shown here are available for purchase. Call (800) 523-4777 or visit our online parts store at www.grizzly.com to check for availability.



Change Gears

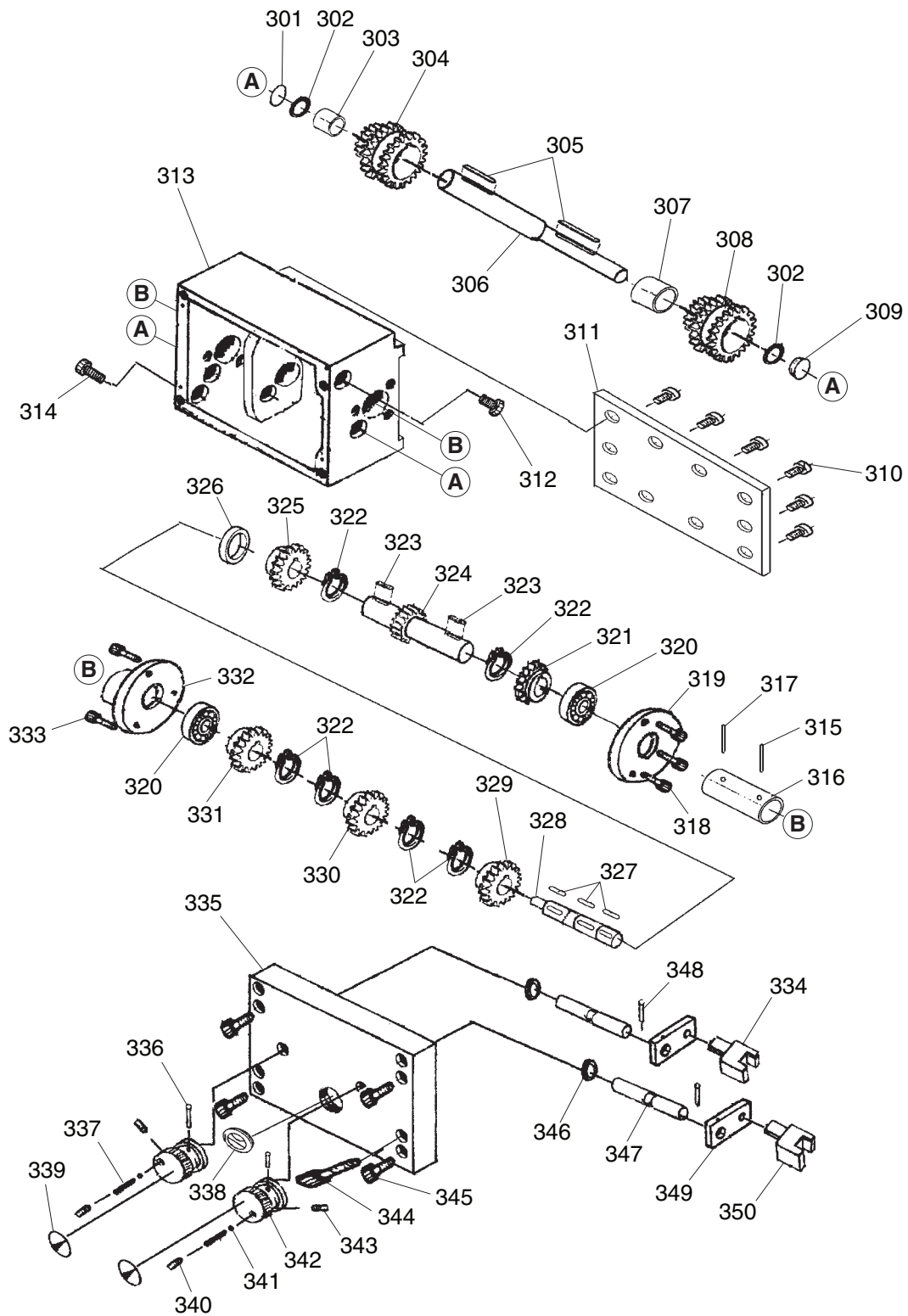


REF	PART #	DESCRIPTION
101	P9972Z0101	SET SCREW M6-1 X 10
102	P9972Z0102	BUSHING
103	P9972Z0103	GEAR 45T
104	P9972Z0104	GEAR 24T
106	P9972Z0106	SHAFT
107	P9972Z0107	CLIPPED WASHER 8MM
108	P9972Z0108	BALL OILER 6MM PRESS-IN
201	P9972Z0201	CHANGE GEAR BRACKET
202	P9972Z0202	PULLEY SHAFT SQUARE NUT
203	P9972Z0203	FLAT WASHER 6MM
204	P9972Z0204	SHAFT
205	P9972Z0205	KEYED BUSHING
206	P9972Z0206	GEAR 127T
207	P9972Z0207	GEAR 120T
208	P9972Z0208	RETAINING CLIP
209	P9972Z0209	BALL OILER 6MM PRESS-IN

REF	PART #	DESCRIPTION
210	P9972Z0210	BUSHING
211	P9972Z0211	KEY 4 X 4 X 14
212	P9972Z0212	SPACER
213	P9972Z0213	GEAR 84T
214	P9972Z0214	FLAT WASHER 6MM
215	P9972Z0215	CAP SCREW M6-1 X 10
216	P9972Z0216	LOCK WASHER 8MM
217	P9972Z0217	CAP SCREW M8-1.25 X 40
218	P9972Z0218	GEAR 28T
219	P9972Z0219	GEAR 35T
220	P9972Z0220	GEAR 63T
221	P9972Z0221	GEAR 69T
222	P9972Z0222	GEAR 70T
223	P9972Z0223	GEAR 77T
224	P9972Z0224	GEAR 78T



Feed Rate Gearbox



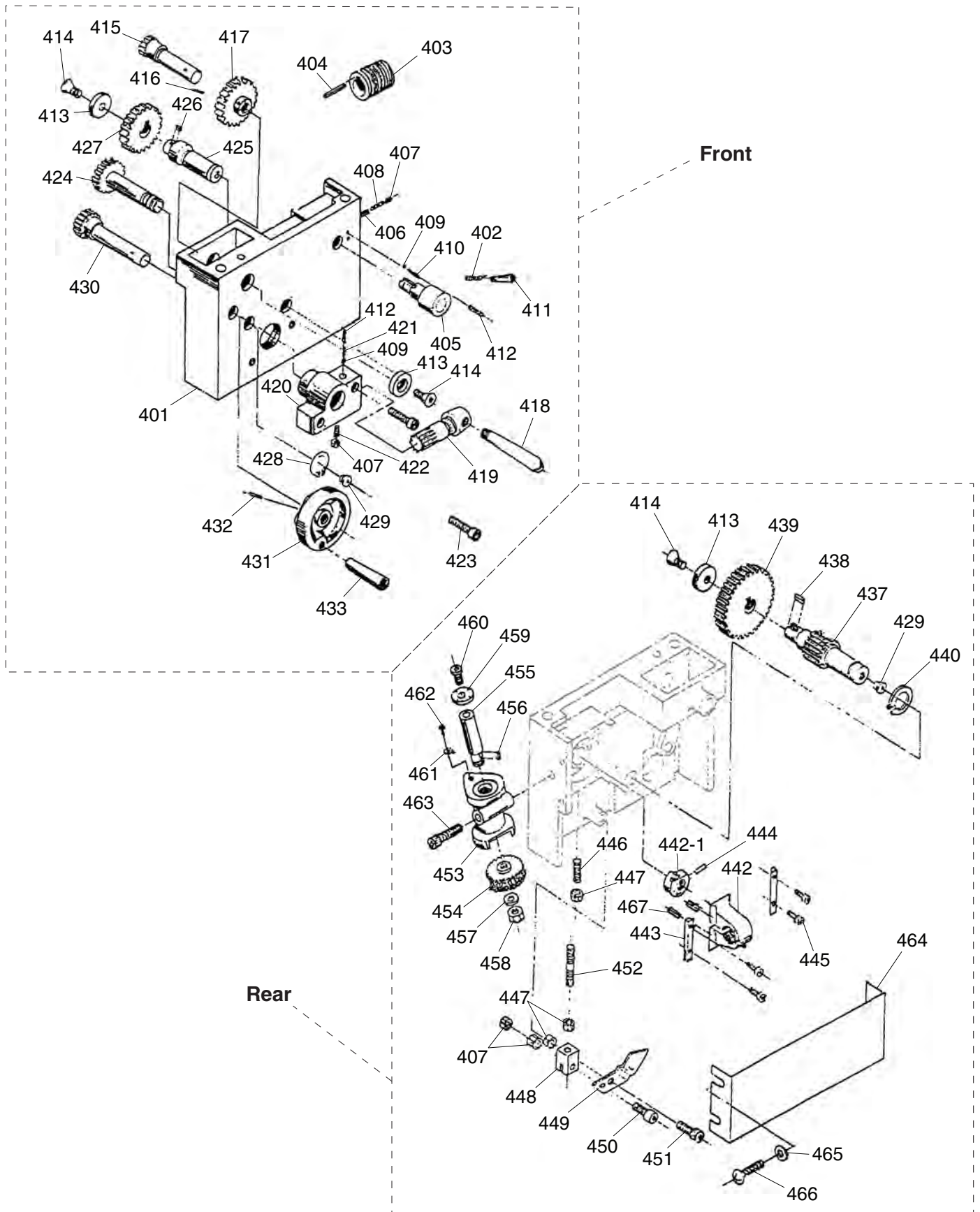
Feed Rate Gearbox Parts List

REF	PART #	DESCRIPTION
301	P9972Z0301	PLUG
302	P9972Z0302	O-RING 17 X 1.8
303	P9972Z0303	BUSHING
304	P9972Z0304	COMBO GEAR 30T/36T/33T
305	P9972Z0305	KEY 3 X 3 X 18
306	P9972Z0306	SHAFT
307	P9972Z0307	BUSHING
308	P9972Z0308	COMBO GEAR 22T/44T/33T
309	P9972Z0309	PLUG
310	P9972Z0310	CAP SCREW M5-.8 X 10
311	P9972Z0311	BACK GEARBOX COVER
312	P9972Z0312	FILL PLUG
313	P9972Z0313	GEARBOX CASTING
314	P9972Z0314	DRAIN PLUG
315	P9972Z0315	DOWELL PIN 5 X 22
316	P9972Z0316	LEADSCREW COLLAR
317	P9972Z0317	BRASS PIN
318	P9972Z0318	CAP SCREW M6-1 X 12
319	P9972Z0319	FLANGE
320	P9972Z0320	BEARING
321	P9972Z0321	GEAR 33T
322	P9972Z0322	EXT RETAINING RING 12MM
323	P9972Z0323	KEY 4 X 4 X 8
324	P9972Z0324	GEAR SHAFT 22T
325	P9972Z0325	GEAR 44T

REF	PART #	DESCRIPTION
326	P9972Z0326	COLLAR
327	P9972Z0327	KEY 4 X 4 X 10
328	P9972Z0328	SHAFT
329	P9972Z0329	GEAR 33T
330	P9972Z0330	GEAR 30T
331	P9972Z0331	GEAR 35T
332	P9972Z0332	FLANGE
333	P9972Z0333	CAP SCREW M6-1 X 16
334	P9972Z0334	SHIFTING FORK
335	P9972Z0335	FRONT GEARBOX COVER
336	P9972Z0336	ROLL PIN 5 X 30
337	P9972Z0337	COMPRESSION SPRING .8 X 4.5 X 18
338	P9972Z0338	OIL SIGHT GLASS
339	P9972Z0339	INDICATOR DISC
340	P9972Z0340	SET SCREW M6-1 X 10
341	P9972Z0341	STEEL BALL 5MM
342	P9972Z0342	SHIFT HUB
343	P9972Z0343	SET SCREW M6-1 X 10
344	P9972Z0344	CAP SCREW M6-1 X 50
345	P9972Z0345	CAP SCREW M6-1 X 20
346	P9972Z0346	O-RING 6 X 1.8
347	P9972Z0347	SHAFT
348	P9972Z0348	ROLL PIN 5 X 20
349	P9972Z0349	SHIFT LEVER
350	P9972Z0350	SHIFTING FORK



Apron



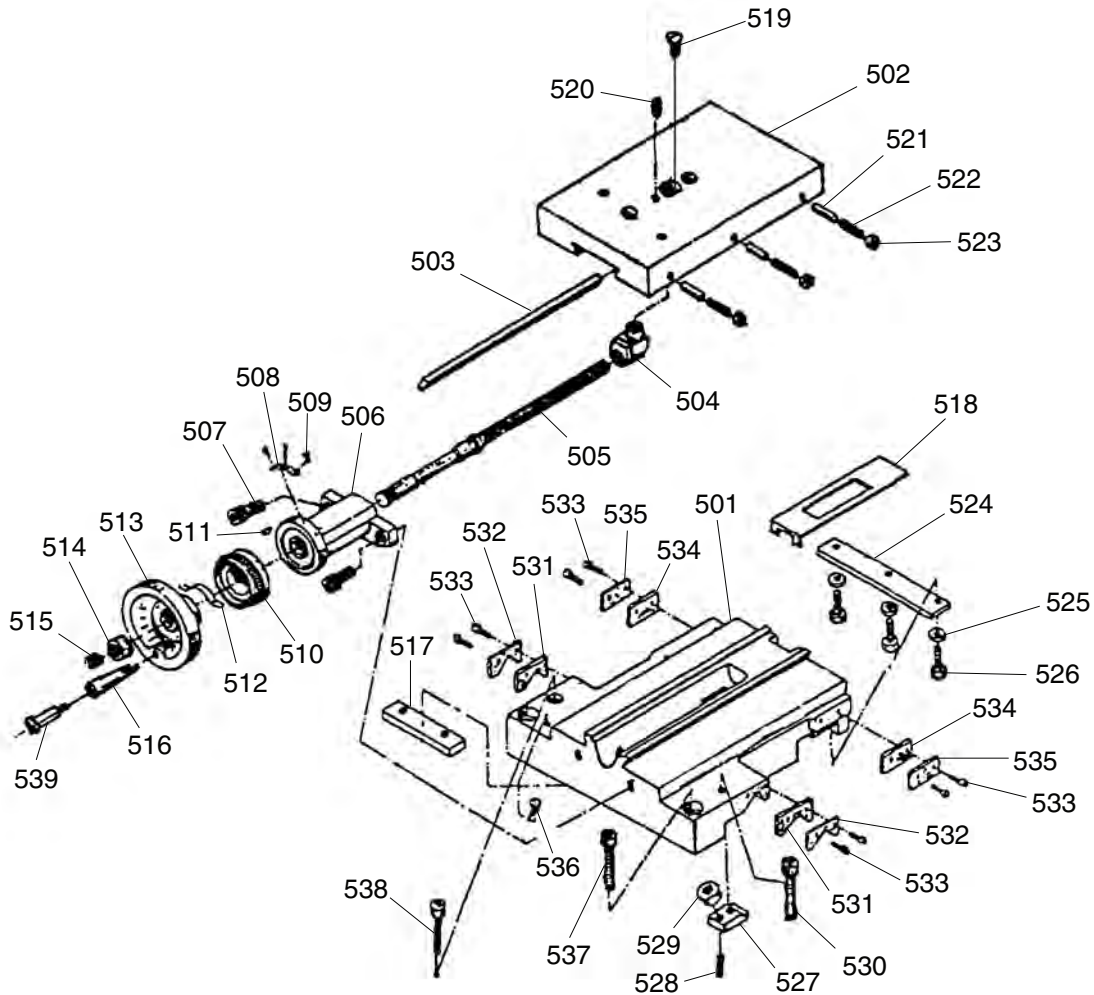
Apron Parts List

REF	PART #	DESCRIPTION
401	P9972Z0401	APRON CASTING
402	P9972Z0402	HANDLE SCREW
403	P9972Z0403	WORM GEAR
404	P9972Z0404	KEY 4 X 5 X 25
405	P9972Z0405	HANDLE HUB
406	P9972Z0406	PIN 4 X 20
407	P9972Z0407	HEX NUT M5-.8
408	P9972Z0408	SET SCREW M5-.8 X 16
409	P9972Z0409	STEEL BALL 5MM
410	P9972Z0410	COMPRESSION SPRING
411	P9972Z0411	HANDLE
412	P9972Z0412	SET SCREW M6-1 X 6
413	P9972Z0413	FLAT WASHER 10MM
414	P9972Z0414	FLAT HD SCR M6-1 X 10
415	P9972Z0415	GEAR SHAFT 12T
416	P9972Z0416	ROLL PIN 4 X 30
417	P9972Z0417	GEAR 43T
418	P9972Z0418	HANDLE
419	P9972Z0419	GEAR SHAFT 13T
420	P9972Z0420	POWER FEED LEVER BRACKET
421	P9972Z0421	COMPRESSION SPRING
422	P9972Z0422	SET SCREW M4-.7 X 10
423	P9972Z0423	CAP SCREW M6-1 X 30
424	P9972Z0424	GEAR SHAFT 36T
425	P9972Z0425	SHAFT
426	P9972Z0426	KEY 4 X 4 X 6
427	P9972Z0427	GEAR 60T
428	P9972Z0428	EXT RETAINING RING 14MM
429	P9972Z0429	BALL OILER 6MM PRESS-IN
430	P9972Z0430	GEAR SHAFT 22T
431	P9972Z0431	HANDWHEEL
432	P9972Z0432	ROLL PIN 4 X 24

REF	PART #	DESCRIPTION
433	P9972Z0433	HANDLE M8-1.25 X 83
437	P9972Z0437	GEAR SHAFT 18T
438	P9972Z0438	KEY 4 X 4 X 12
439	P9972Z0439	GEAR 42T
440	P9972Z0440	EXT RETAINING RING 12MM
442	P9972Z0442	HALF NUT INCH (2PC)
442-1	P9972Z0442-1	HALF NUT BRACKET
443	P9972Z0443	HALF NUT GIB
444	P9972Z0444	ROLL PIN 2 X 35
445	P9972Z0445	CAP SCREW M4-.7 X 16
446	P9972Z0446	SET SCREW M5-.8 X 25
447	P9972Z0447	HEX NUT M5-.8
448	P9972Z0448	CONTROL BLOCK
449	P9972Z0449	PIVOT BRACKET
450	P9972Z0450	CAP SCREW M4-.7 X 20
451	P9972Z0451	CAP SCREW M5-.8 X 16
452	P9972Z0452	STUD-DE M5-.8 X 36 15 15
453	P9972Z0453	THREAD DIAL BODY
454	P9972Z0454	PINION GEAR 32T
455	P9972Z0455	SHAFT
456	P9972Z0456	KEY 3 X 3 X 10
457	P9972Z0457	LOCK WASHER 8MM
458	P9972Z0458	HEX NUT M8-1.25
459	P9972Z0459	THREAD DIAL
460	P9972Z0460	PHLP HD SCR M6-1 X 10
461	P9972Z0461	POINTER
462	P9972Z0462	RIVET 2 X 5MM NAMEPLATE, ALUMINUM
463	P9972Z0463	CAP SCREW M6-1 X 55
464	P9972Z0464	REAR APRON COVER
465	P9972Z0465	FLAT WASHER 4MM
466	P9972Z0466	PHLP HD SCR M4-.7 X 6
467	P9972Z0467	ROLL PIN 5 X 12



Saddle & Cross Slide

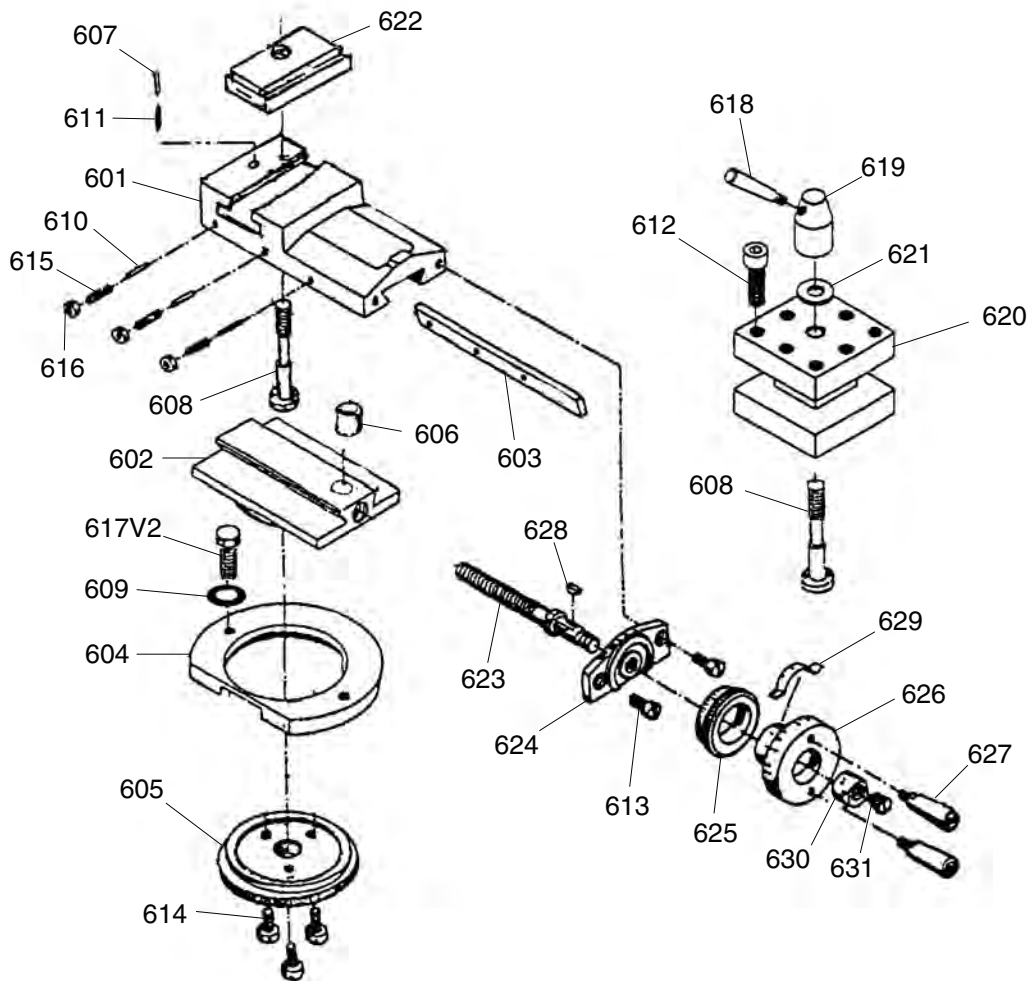


REF	PART #	DESCRIPTION
501	P9972Z0501	SADDLE
502	P9972Z0502	CROSS SLIDE
503	P9972Z0503	CROSS SLIDE GIB
504	P9972Z0504	CROSS SLIDE LEADSCREW NUT
505	P9972Z0505	CROSS SLIDE LEADSCREW
506	P9972Z0506	CROSS SLIDE LEADSCREW BRACKET
507	P9972Z0507	CAP SCREW M8-1.25 X 25
508	P9972Z0508	INDICATOR PLATE
509	P9972Z0509	RIVET 2 X 5MM NAMEPLATE, STEEL
510	P9972Z0510	CROSS SLIDE GRADUATED DIAL
511	P9972Z0511	KEY 3 X 3 X 6
512	P9972Z0512	SPRING PLATE
513	P9972Z0513	HANDWHEEL
514	P9972Z0514	HANDWHEEL RETAINING NUT
515	P9972Z0515	SET SCREW M8-1.25 X 6
516	P9972Z0516	HANDLE
517	P9972Z0517	SLIDE BLOCK
518	P9972Z0518	CHIP GUARD
519	P9972Z0519	CAP SCREW M6-1 X 12
520	P9972Z0520	SET SCREW M6-1 X 16

REF	PART #	DESCRIPTION
521	P9972Z0521	CROSS SLIDE LOCK PIN
522	P9972Z0522	SET SCREW M5-.8 X 16
523	P9972Z0523	HEX NUT M5-.8
524	P9972Z0524	SADDLE GIB
525	P9972Z0525	FLAT WASHER 6MM
526	P9972Z0526	CAP SCREW M6-1 X 16
527	P9972Z0527	CLIP
528	P9972Z0528	SET SCREW M6-1 X 20
529	P9972Z0529	HEX NUT M6-1
530	P9972Z0530	CAP SCREW M6-1 X 35
531	P9972Z0531	NOTCHED WAY WIPER
532	P9972Z0532	NOTCHED WIPER CLAMP
533	P9972Z0533	PHLP HD SCR M4-.7 X 8
534	P9972Z0534	STRAIGHT WAY WIPER
535	P9972Z0535	STRAIGHT WIPER CLAMP
536	P9972Z0536	BALL OILER 6MM PRESS-IN
537	P9972Z0537	CAP SCREW M8-1.25 X 35
538	P9972Z0538	CAP SCREW M6-1 X 35
539	P9972Z0539	HANDLE BOLT



Compound Slide & Tool Post

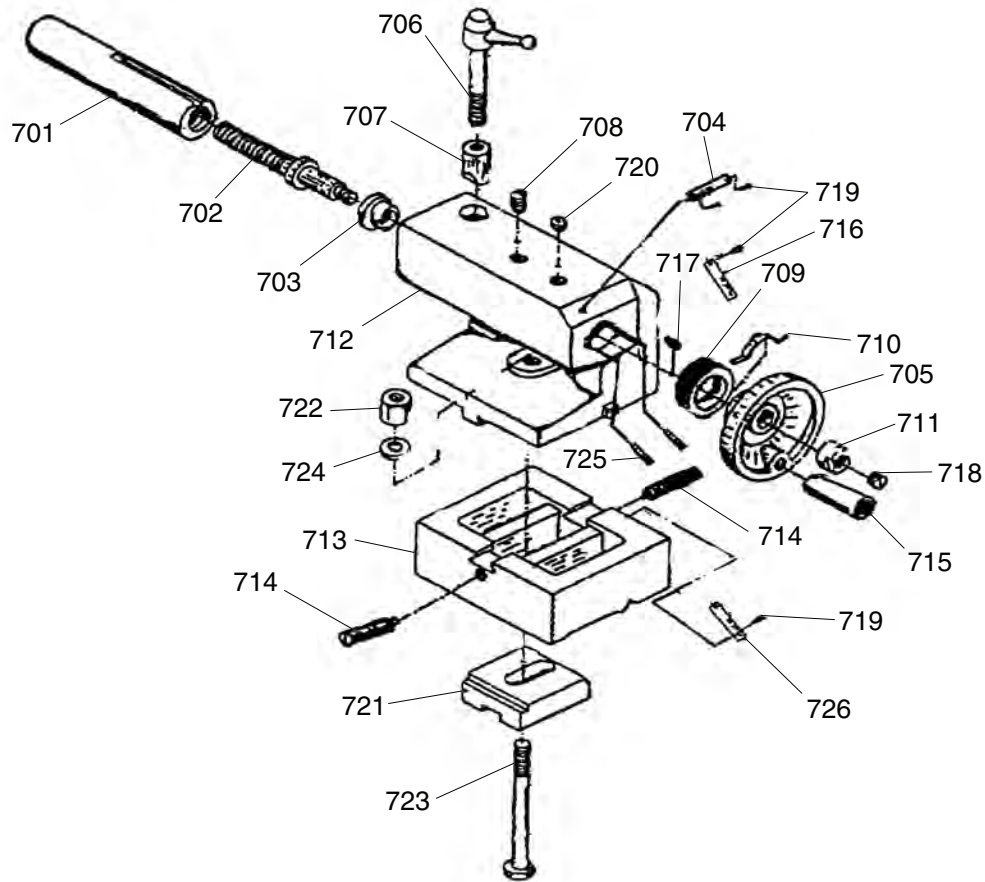


REF	PART #	DESCRIPTION
601	P9972Z0601	COMPOUND SLIDE
602	P9972Z0602	SWIVEL BASE
603	P9972Z0603	COMPOUND SLIDE GIB
604	P9972Z0604	CLAMPING RING
605	P9972Z0605	CLAMPING BASE
606	P9972Z0606	LEADSCREW NUT
607	P9972Z0607	PLUNGER
608	P9972Z0608	TOOL POST STUD
609	P9972Z0609	FLAT WASHER 10MM
610	P9972Z0610	SLIDE LOCK PIN
611	P9972Z0611	COMPRESSION SPRING
612	P9972Z0612	TOOL POST CAP SCREW
613	P9972Z0613	CAP SCREW M8-1.25 X 25
614	P9972Z0614	CAP SCREW M6-1 X 12
615	P9972Z0615	SET SCREW M5-.8 X 16
616	P9972Z0616	HEX NUT M5-.8

REF	PART #	DESCRIPTION
617V2	P9972Z0617V2	CAP SCREW M5-.8 X 30
618	P9972Z0618	TOOL POST HANDLE
619	P9972Z0619	TOOL POST HANDLE HUB
620	P9972Z0620	TOOL POST BODY
621	P9972Z0621	HUB FLAT WASHER
622	P9972Z0622	TOOL REST BASE
623	P9972Z0623	COMPOUND SLIDE LEADSCREW
624	P9972Z0624	LEADSCREW BRACKET
625	P9972Z0625	GRADUATED DIAL
626	P9972Z0626	HANDWHEEL
627	P9972Z0627	HANDLE
628	P9972Z0628	KEY 3 X 3 X 8
629	P9972Z0629	SPRING PLATE
630	P9972Z0630	THREADED COLLAR
631	P9972Z0631	SET SCREW M8-1.25 X 16



Tailstock

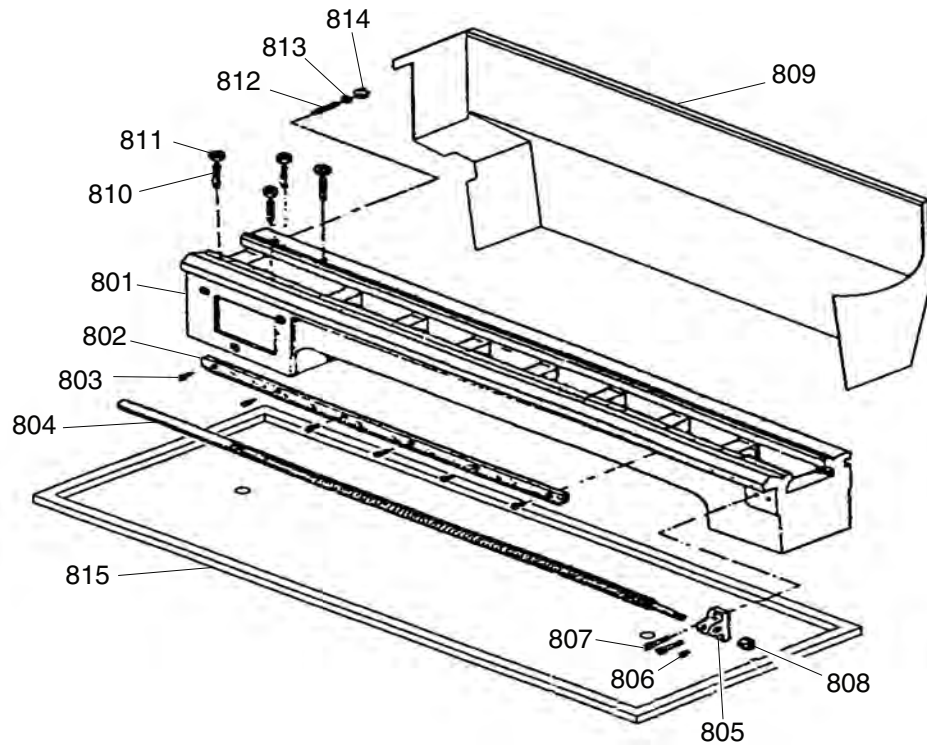


REF	PART #	DESCRIPTION
701	P9972Z0701	TAILSTOCK QUILL MT#3
702	P9972Z0702	TAILSTOCK LEADSCREW
703	P9972Z0703	BUSHING
704	P9972Z0704	INDICATOR PLATE
705	P9972Z0705	HANDWHEEL
706	P9972Z0706	QUILL LOCK
707	P9972Z0707	LOCK BUSHING
708	P9972Z0708	SET SCREW M6-1 X 12
709	P9972Z0709	GRADUATED DIAL
710	P9972Z0710	SPRING PLATE
711	P9972Z0711	SPACER
712	P9972Z0712	TAILSTOCK CASTING
713	P9972Z0713	TAILSTOCK BASE

REF	PART #	DESCRIPTION
714	P9972Z0714	SET SCREW M8-1.25 X 25
715	P9972Z0715	HANDLE
716	P9972Z0716	PLATE
717	P9972Z0717	KEY 3 X 3 X 10
718	P9972Z0718	HEX NUT M10-1.5
719	P9972Z0719	RIVET 2 X 5MM NAMEPLATE, STEEL
720	P9972Z0720	OIL PORT 9MM
721	P9972Z0721	CLAMPING PLATE
722	P9972Z0722	CLAMPING PLATE HEX NUT
723	P9972Z0723	HEX BOLT M12-1.75 X 100
724	P9972Z0724	FLAT WASHER 12MM
725	P9972Z0725	SET SCREW M5-.8 X 6
726	P9972Z0726	INDICATOR PLATE



Bed

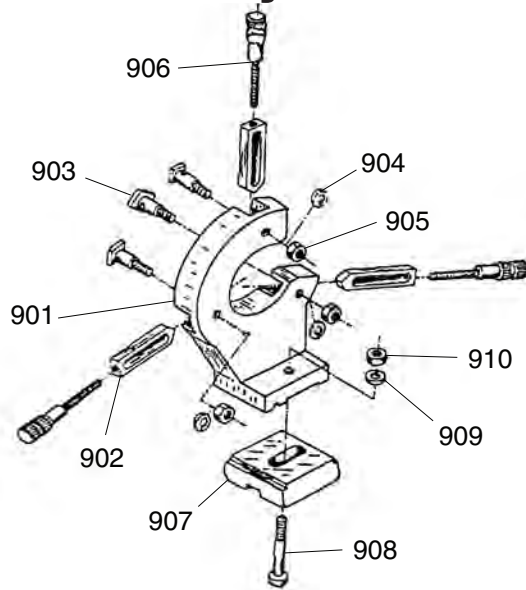


REF	PART #	DESCRIPTION
801	P9972Z0801	BED
802	P9972Z0802	RACK
803	P9972Z0803	CAP SCREW M5-.8 X 12
804	P9972Z0804	FEED LEADSCREW INCH
805	P9972Z0805	LEADSCREW END BRACKET
806	P9972Z0806	BALL OILER 6MM PRESS-IN
807	P9972Z0807	CAP SCREW M6-1 X 20
808	P9972Z0808	HEX NUT M10-1.5

REF	PART #	DESCRIPTION
809	P9972Z0809	SPLASH GUARD
810	P9972Z0810	STUD-SE M10-1.5 X 45 35
811	P9972Z0811	HEX NUT M10-1.5
812	P9972Z0812	SET SCREW M8-1.25 X 40
813	P9972Z0813	FLAT WASHER 8MM
814	P9972Z0814	HEX NUT M8-1.25
815	P9972Z0815	CHIP PAN



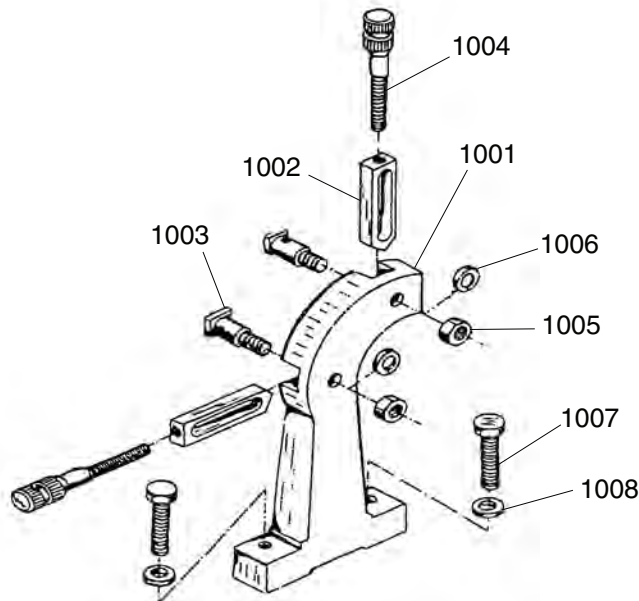
Steady Rest



REF	PART #	DESCRIPTION
901	P9972Z0901	STEADY REST CASTING
902	P9972Z0902	FINGER
903	P9972Z0903	FINGER T-BOLT
904	P9972Z0904	LOCK WASHER 8MM
905	P9972Z0905	HEX NUT M8-1.25

REF	PART #	DESCRIPTION
906	P9972Z0906	ADJUSTING SCREW
907	P9972Z0907	CLAMPING PLATE
908	P9972Z0908	HEX BOLT M12-1.75 X 65
909	P9972Z0909	FLAT WASHER 12MM
910	P9972Z0910	HEX NUT M12-1.75

Follow Rest

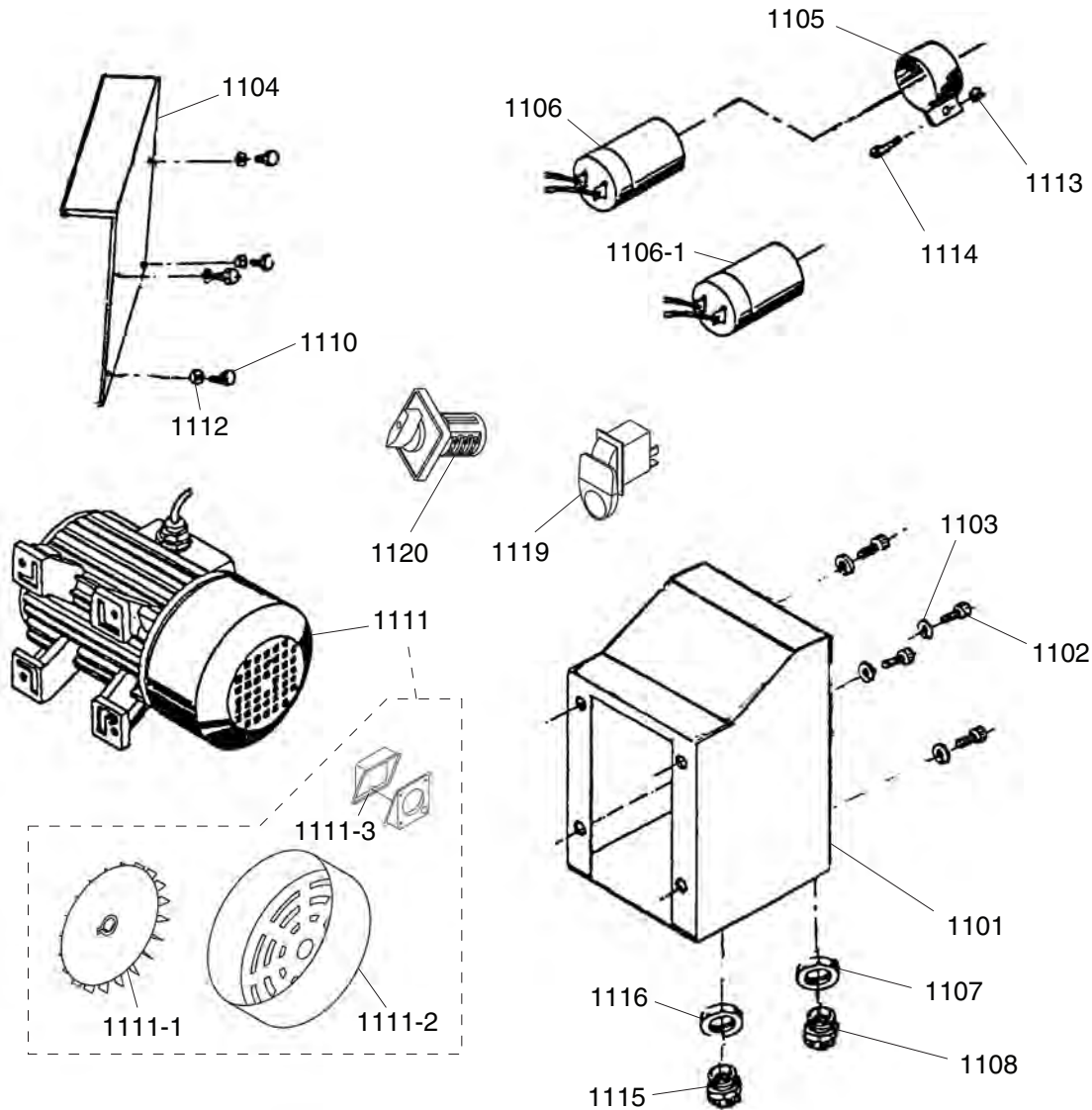


REF	PART #	DESCRIPTION
1001	P9972Z1001	FOLLOW REST CASTING
1002	P9972Z1002	FINGER
1003	P9972Z1003	FINGER T-BOLT
1004	P9972Z1004	ADJUSTING SCREW

REF	PART #	DESCRIPTION
1005	P9972Z1005	HEX NUT M8-1.25
1006	P9972Z1006	FLAT WASHER 8MM
1007	P9972Z1007	CAP SCREW M8-1.25 X 35
1008	P9972Z1008	FLAT WASHER 8MM



Electrical Components

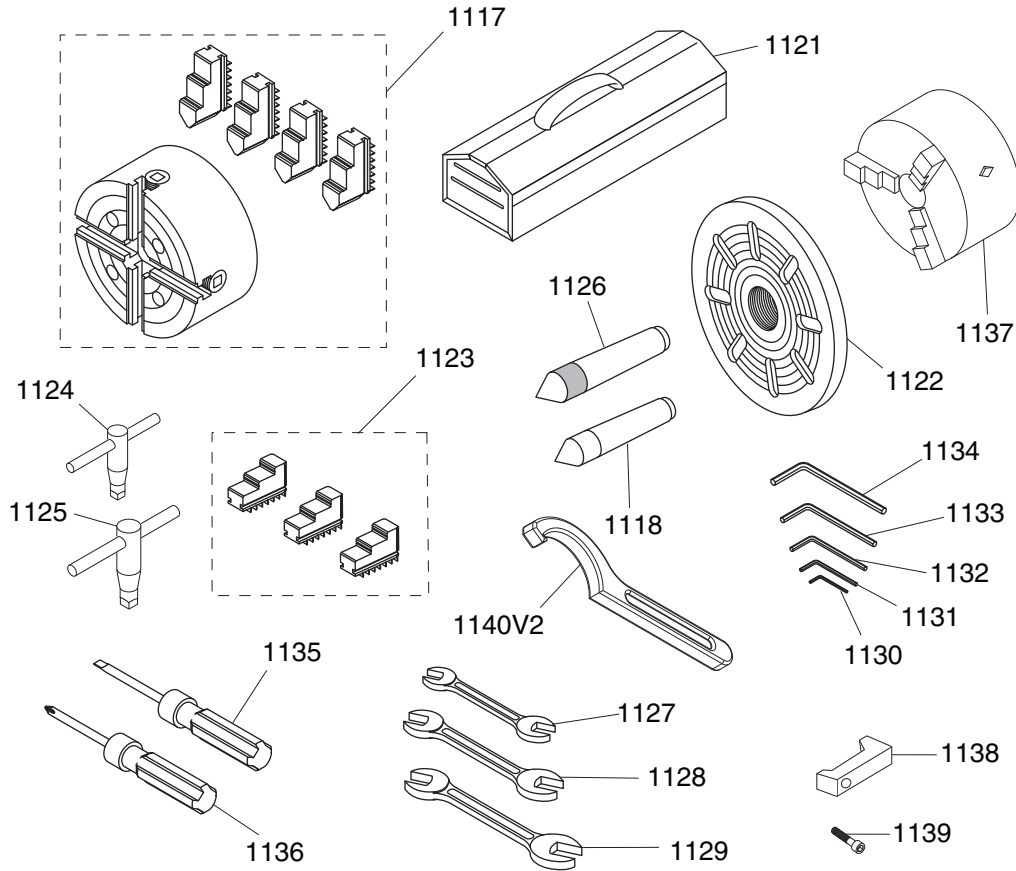


REF	PART #	DESCRIPTION
1101	P9972Z1101	ELECTRICAL CABINET
1102	P9972Z1102	CAP SCREW M6-1 X 25
1103	P9972Z1103	LOCK WASHER 6MM
1104	P9972Z1104	ELECTRICAL CABINET COVER
1105	P9972Z1105	CAPACITOR COVER W/CLIP
1106	P9972Z1106	S CAPACITOR 150M 250V 1-5/8 X 3-1/4
1106-1	P9972Z1106-1	R CAPACITOR 20M 450V 1-3/4 X 3-3/4
1107	P9972Z1107	STRAIN RELIEF NUT 1/2"
1108	P9972Z1108	STRAIN RELIEF 1/2"
1110	P9972Z1110	PHLP HD SCR M5-.8 X 10
1111	P9972Z1111	MOTOR 1HP 110V 1PH

REF	PART #	DESCRIPTION
1111-1	P9972Z1111-1	MOTOR FAN
1111-2	P9972Z1111-2	MOTOR FAN COVER
1111-3	P9972Z1111-3	MOTOR WIRING JUNCTION BOX
1112	P9972Z1112	LOCK WASHER 5MM
1113	P9972Z1113	HEX NUT M4-.7
1114	P9972Z1114	PHLP HD SCR M4-.7 X 20
1115	P9972Z1115	STRAIN RELIEF 3/4"
1116	P9972Z1116	STRAIN RELIEF NUT 3/4"
1119	P9972Z1119	ON/OFF SWITCH W/COVER
1120	P9972Z1120	FWD/REV SWITCH KEDU EN61058



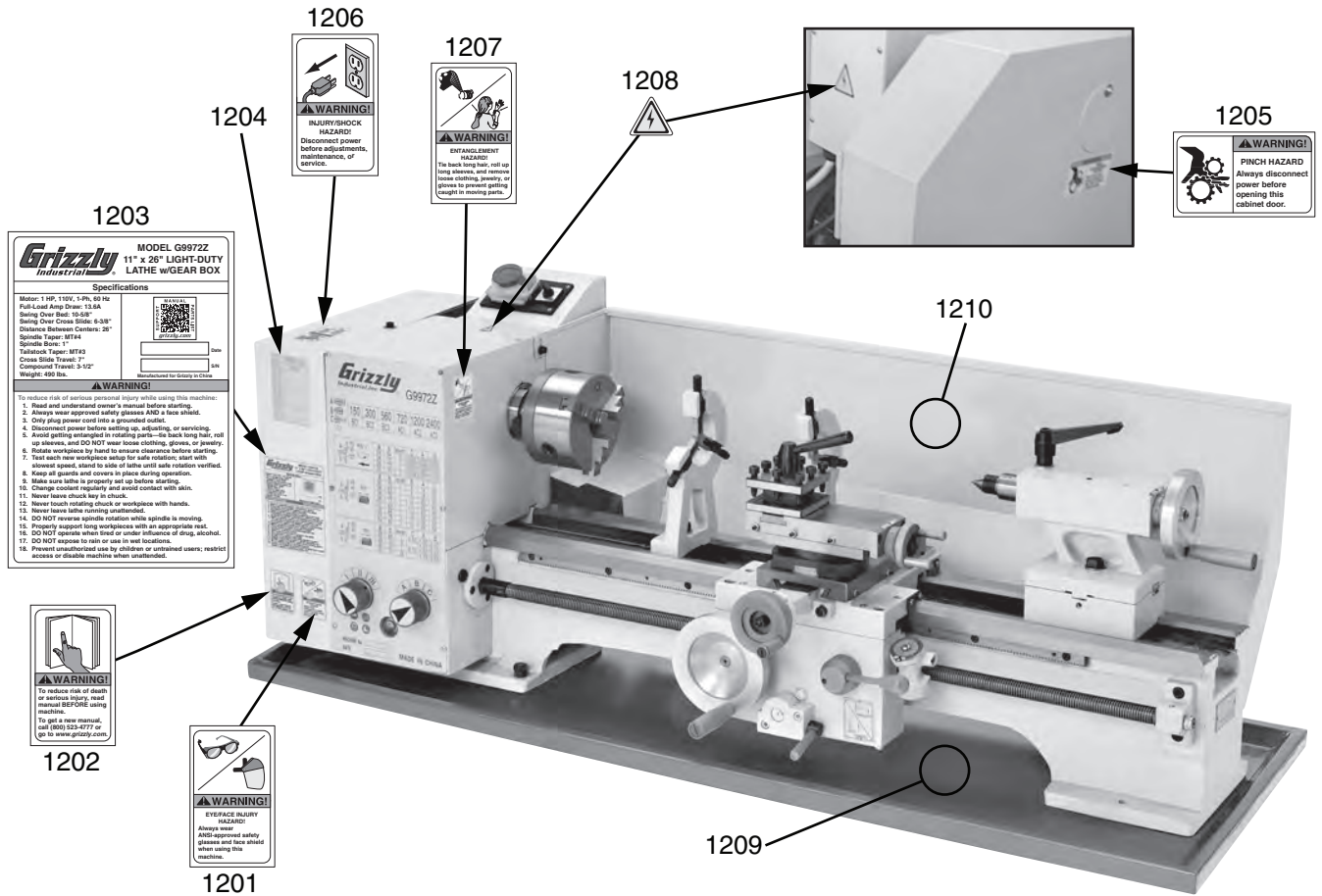
Accessories



REF	PART #	DESCRIPTION	REF	PART #	DESCRIPTION
1117V2	P9972Z1117V2	4-JAW CHUCK 6-1/4" V2.01.16	1130	P9972Z1130	HEX WRENCH 3MM
1118	P9972Z1118	DEAD CENTER MT#3	1131	P9972Z1131	HEX WRENCH 4MM
1121	P9972Z1121	TOOL BOX	1132	P9972Z1132	HEX WRENCH 5MM
1122	P9972Z1122	FACEPLATE 8"	1133	P9972Z1133	HEX WRENCH 6MM
1123	P9972Z1123	3-JAW CHUCK REVERSE JAW SET	1134	P9972Z1134	HEX WRENCH 8MM
1124	P9972Z1124	LATHE CHUCK KEY 9.82MM STD	1135	P9972Z1135	SCREWDRIVER FLAT #2
1125V2	P9972ZV21125	LATHE CHUCK KEY 9.82MM STD	1136	P9972Z1136	SCREWDRIVER PHILLIPS #2
1126	P9972Z1126	DEAD CENTER MT#3 CARBIDE-TIPPED	1137	P9972Z1137	3-JAW CHUCK
1127	P9972Z1127	WRENCH 8 X 10MM OPEN-ENDS	1138	P9972Z1138	SPINDLE CLAMP
1128	P9972Z1128	WRENCH 12 X 14MM OPEN-ENDS	1139	P9972Z1139	CAP SCREW M6-1 X 20
1129	P9972Z1129	WRENCH 17 X 19MM OPEN-ENDS	1140V2	P9972Z1140V2	SPANNER WRENCH V2.04.20



Labels & Cosmetics



REF	PART #	DESCRIPTION
1201	P9972Z1201	EYE/FACE INJURY LABEL
1202	P9972Z1202	READ MANUAL LABEL
1203	P9972Z1203	MACHINE ID LABEL
1204	P9972Z1204	THREAD DIAL CHART LABEL
1205	P9972Z1205	PINCH HAZARD LABEL

REF	PART #	DESCRIPTION
1206	P9972Z1206	DISCONNECT POWER LABEL
1207	P9972Z1207	ENTANGLEMENT HAZARD LABEL
1208	P9972Z1208	ELECTRICITY LABEL
1209	P9972Z1209	TOUCH-UP PAINT, GRIZZLY GREEN
1210	P9972Z1210	TOUCH-UP PAINT, GRIZZLY BEIGE

WARNING

Safety labels help reduce the risk of serious injury caused by machine hazards. If any label comes off or becomes unreadable, the owner of this machine **MUST** replace it in the original location before resuming operations. For replacements, contact (800) 523-4777 or www.grizzly.com.

