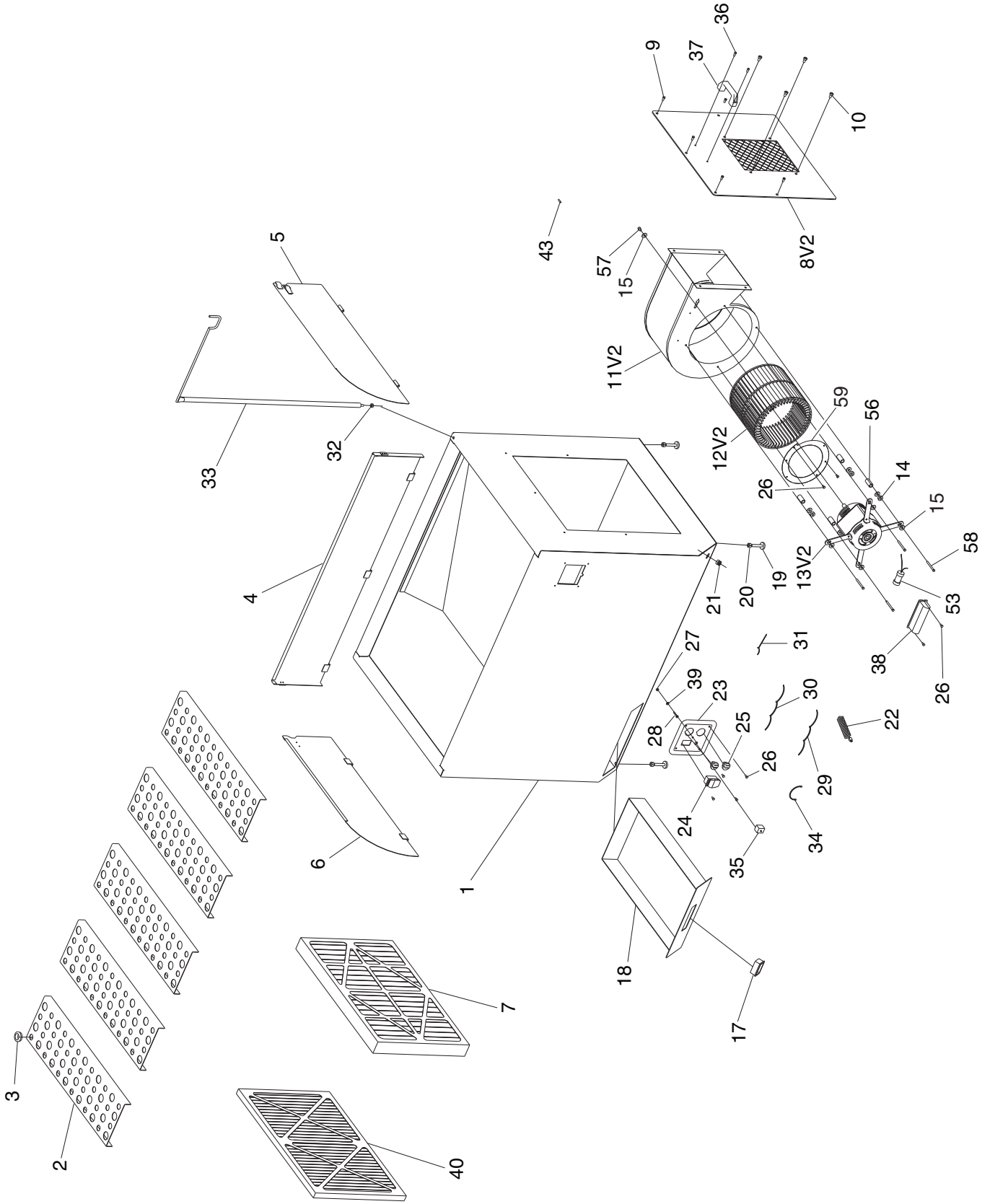


# H2936 Parts Breakdown



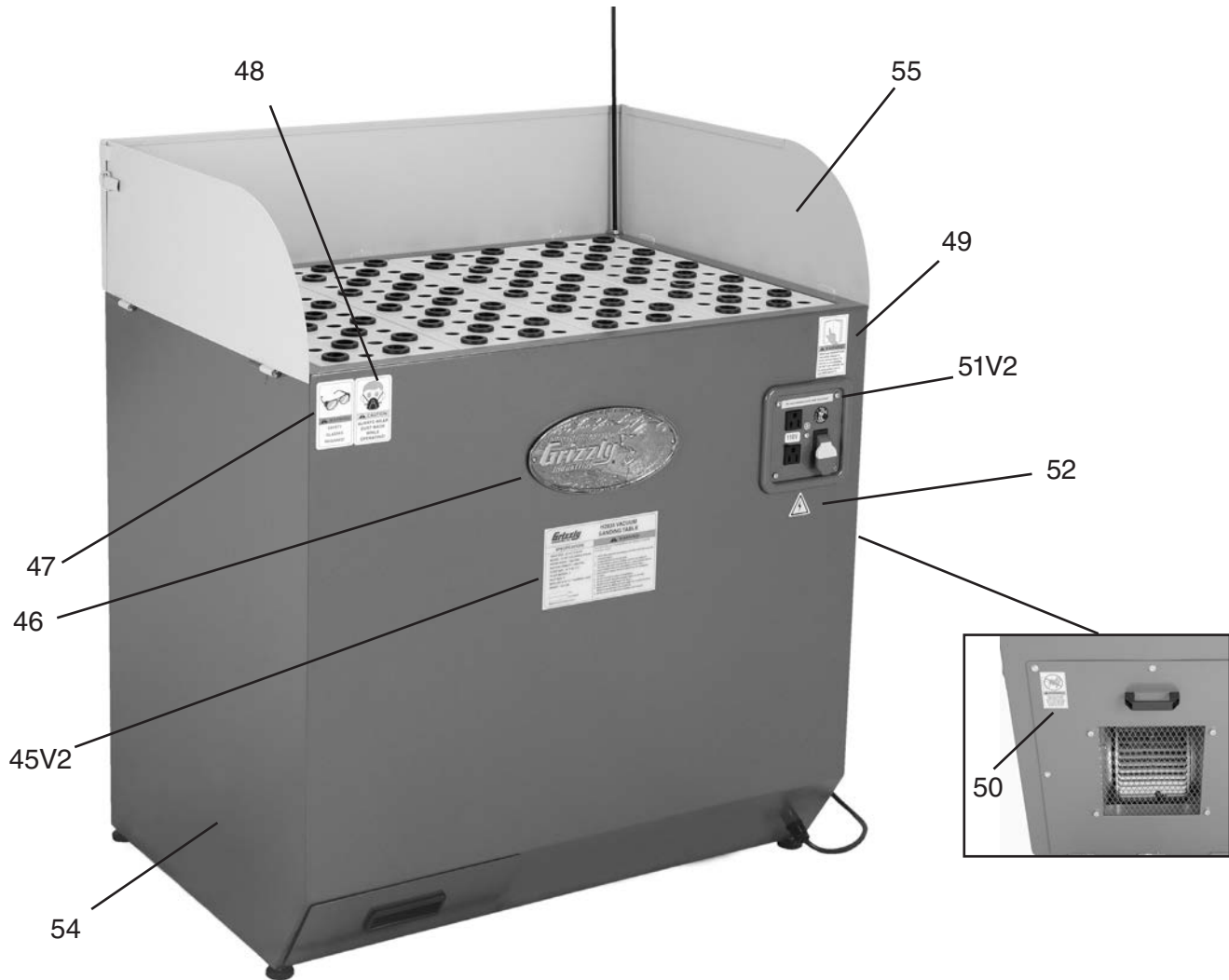
# H2936 Parts List

REF	PART #	DESCRIPTION
1	PH2936001	MAIN BASE
2	PH2936002	DUST COLLECTING PLATE 25-3/8 IN
3	PH2936003	RUBBER GROMMET
4	PH2936004	CENTER PANEL
5	PH2936005	RIGHT PANEL
6	PH2936006	LEFT PANEL
7	H4938	FILTER 16"X 25" X 2"
8V2	PH2936008V2	OUTLET PLATE V2.04.09
9	PB19	HEX BOLT 1/4-20 X 1/2
10	PCAP04	CAP SCREW 1/4-20 X 1/2
11V2	PH2936011V2	FAN HOUSING V2.04.09
12V2	PH2936012V2	PLASTIC IMPELLER 7"T X 9.5"W V2.12.07
13V2	PH2936013V2	MOTOR 1/2HP 110V 1PH V2.04.09
14	PH2936014	ANTI SHAKING RUBBER
15	PW06	FLAT WASHER 1/4
17	PH2936017	HANDLE
18	PH2936018	DRAWER
19	PH2936019	FOOT PAD SCREW 3/8-16 X 2
20	PN08	HEX NUT 3/8-16
21	PH2936021	STRAIN RELIEF
22	PH2936022	POWER CORD
23	PH2936023	SWITCH PLATE
24	G8988	PADDLE SWITCH 110/220V WITH KEY

REF	PART #	DESCRIPTION
25	PH2936025	RECEPTACLE 110V
26	PS03	PHLP HD SCR 10-24 X 1
27	PN03	HEX NUT 3/4-16
28	PS03	PHLP HD SCR 10-24 X 1
29	PH2936029	POWER CORD CONNECTOR W
30	PH2936030	POWER CORD CONNECTOR B
31	PH2936031	GROUNDING CONNECTOR
32	PN02	HEX NUT 5/16-18
33	PH2936033	HANGER
34	PH2936034	SHORT CONNECTOR
35	PH2936035	THERMAL RELAY 12A 125V JOEMEX
36	PS12	PHLP HD SCR 1/4-20 x 5/8
37	PH2936037	HANDLE
38	PH2936038	CAPACITOR COVER
39	PTLW01	EXT TOOTH WASHER #10
40	H4961	FILTER 16" x 25" x 1"
43	PH2936043	PANEL PIN
53	PH2936053	R CAPACITOR 50M 250V
56	PH2936056	PLASTIC SPACER
57	PCAP68M	CAP SCREW M6-1 X 8
58	PB88	HEX BOLT 1/4-20 X 1-3/4
59	PH2936059	INLET COVER



# Safety Label Placement and Parts List



REF	PART #	DESCRIPTION
45V2	PH2935045V2	MACHINE ID LABEL CSA (H2935)
45V2	PH2936045V2	MACHINE ID LABEL CSA (H2936)
46	G8588	GRIZZLY NAMEPLATE-SMALL
47	PLABEL-11	SAFETY GLASSES LABEL
48	PLABEL-32A	DUST MASK LABEL-NS
49	PLABEL-12A	READ MANUAL LABEL

REF	PART #	DESCRIPTION
50	PH2936050	NO HANDS IN OUTLET
51V2	PH2935051V2	MAX AMPS LABEL 4.5A (H2935)
51V2	PH2936051V2	MAX AMPS LABEL 3.5A (H2936)
52	PLABEL-14	ELECTRICITY LABEL
54	PPAINT-1	PAINT-GRIZZLY GREEN
55	PPAINT-11	PUTTY TOUCH UP PAINT

## WARNING

Safety labels warn about machine hazards and ways to prevent injury. The owner of this machine **MUST** maintain the original location and readability of the labels on the machine. If any label is removed or becomes unreadable, **REPLACE** that label before using the machine again. Contact Grizzly at (800) 523-4777 or [www.grizzly.com](http://www.grizzly.com) to order new labels.

