



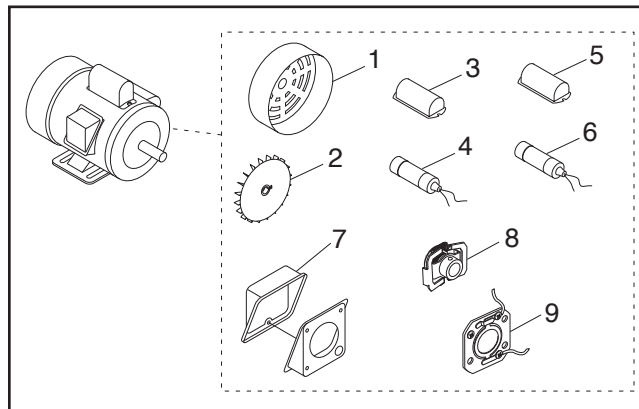
MODEL H5381 1½ HP ELECTRIC MOTOR INSTRUCTIONS


For questions or help with this product contact Tech Support at (570) 546-9663 or techsupport@grizzly.com

Model H5381 Specifications

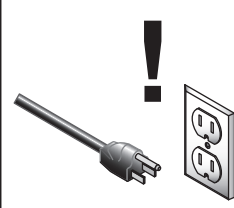
Power 1½ HP
 Cycle..... 60Hz
 Voltage..... 110/220V
 Prewired 110V
 Amps 17/8.5A
 RPM..... 1725
 Phase Single
 Class..... B

Replaceable Parts





! WARNING
 Electrocutation or fire could result if this motor is not grounded correctly or if your wire connections do not comply with local and state codes. Ensure compliance by checking with a qualified electrician!



! WARNING
 Disconnect power when replacing motor. Failure to do this may result in serious personal injury.

REF PART #	DESCRIPTION
1	PH5381001 MOTOR FAN COVER
2	PH5381002 MOTOR FAN
3	PH5381003 S CAPACITOR COVER
4	PH5381004 S CAPACITOR 400M 125V 1-7/8 X 3-3/8
5	PH5381005 R CAPACITOR COVER
6	PH5381006 R CAPACITOR 50M 250V 1-5/8 X 2-3/4
7	PH5381007 JUNCTION BOX
8	PH5381008 CENTRIFUGAL SWITCH
9	PH5381009 CONTACT PLATE

Making Wire Connections

If you are unsure how to attach wires to terminals, DO NOT continue. Contact an electrician for assistance. Connecting wires improperly may cause them to come loose or contact other wires, which can cause electrocution, fire, or a short.

COPYRIGHT © DECEMBER, 2007 BY GRIZZLY INDUSTRIAL, INC., REVISED JUNE, 2024 (LW)
 NO PORTION OF THIS INSTRUCTION SHEET MAY BE REPRODUCED IN ANY SHAPE
 OR FORM WITHOUT THE WRITTEN APPROVAL OF GRIZZLY INDUSTRIAL, INC.
 (FOR MODELS MFD. SINCE 08/24) #JB10225 PRINTED IN TAIWAN

V2.06.24

Keep for Future Reference