



14 GAUGE SWIVEL HEAD SHEARS

MODEL H5503

PARTS LIST



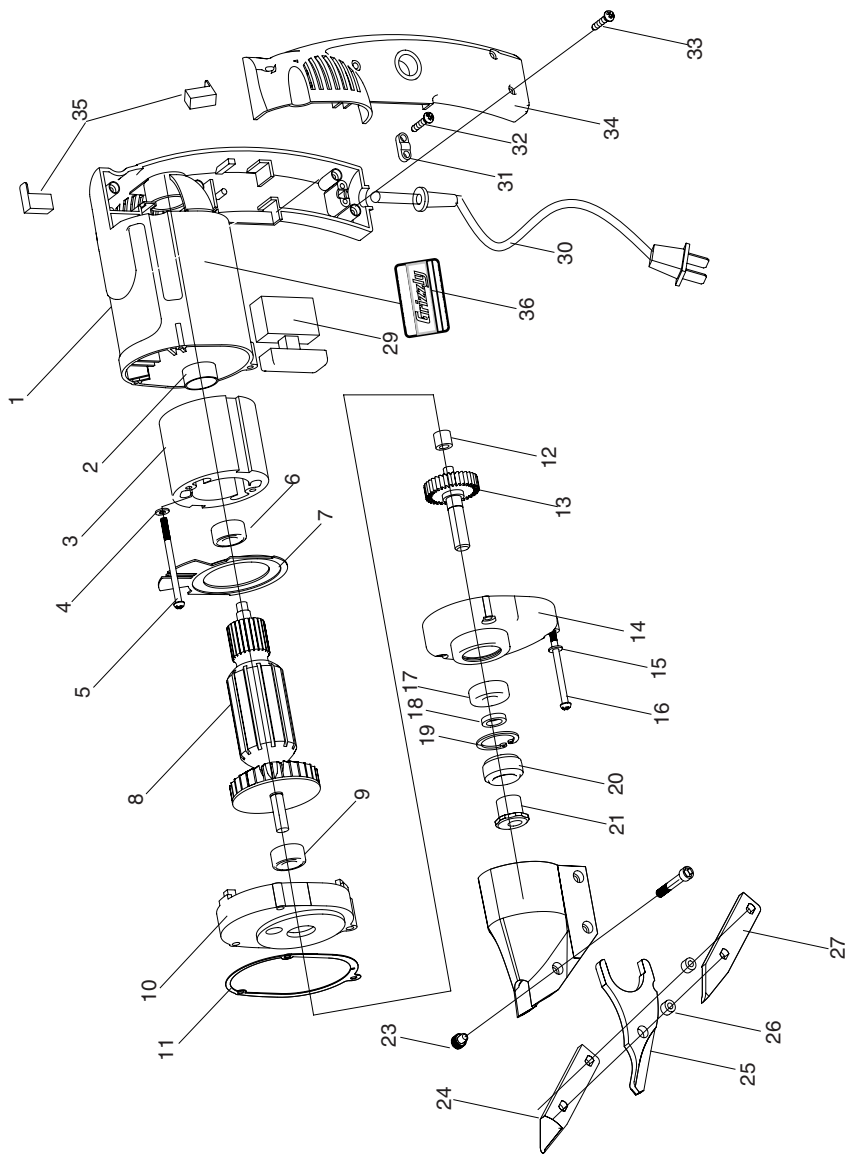
COPYRIGHT © JUNE, 2003 BY GRIZZLY INDUSTRIAL, INC.

WARNING: NO PORTION OF THIS MANUAL MAY BE REPRODUCED IN ANY SHAPE OR FORM WITHOUT THE WRITTEN APPROVAL OF GRIZZLY INDUSTRIAL, INC.

PRINTED IN CHINA

ONLINE PARTS LIST DISCLAIMER

THESE PARTS REPRESENT THE CONFIGURATION OF THE MACHINE AS IT IS CURRENTLY BEING SHIPPED. THE MACHINE CONFIGURATION CAN CHANGE AS PRODUCT IMPROVEMENTS ARE INCORPORATED. IF YOU OWN AN EARLIER VERSION OF THE MACHINE, THIS PARTS LIST MAY NOT EXACTLY DEPICT YOUR MACHINE. CONTACT CUSTOMER SERVICE IF YOU HAVE ANY QUESTIONS ABOUT PART DIFFERENCES. PREVIOUS PARTS LIST VERSIONS ARE NOT AVAILABLE ONLINE.



-B-

H5503 14 Gauge Swivel Head Shears

REF	PART #	DESCRIPTION
1	PH5503001	BODY COVER
2	PH5503002	BEARING STAND
3	PH5503003	STATOR
4	PW05M	FLAT WASHER 4MM
5	PH5503005	SPECIAL TAP SCREW M4-X 62
6	P607	BEARING 607Z
7	PH5503007	FAN COVER
8	PH5503008	ROTOR
9	PH5503009	BEARING STAND
10	PH5503010	GEAR BOX
11	PH5503011	SEALING MAT
12	P608ZZ	BEARING 608ZZ
13	PH5503013	GEAR BOX
14	PH5503014	COVER OF GEAR BOX
15	PH5503015	SPACER
16	PH5503016	SPECIAL TAP SCREW 4MM X42MM
17	P6000	BALL BEARING 6000ZZ
18	PH5503018	SPACER 11MM
19	PR46M	INT RETAINING RING 27
20	PH5503020	NEEDLE BEARING
21	PH5503021	CAM BEARING
22	PH5503022	BLADE HOUSING
23	PH5503023	SPECIAL NUT
24	PH5503024	BLADE
25	PH5503025	BLADE
26	PH5503026	BUSHING
27	PH5503027	BLADE
28	PH5503028	SPECIAL CAP SCREW
29	PH5503029	SWITCH
30	PH5503030	POWER CORD
31	PH5503031	BRACKET
32	PHTEK10	TAP SCREW 4MM X11MM
33	PHTEK8M	TAP SCREW M4 X 20
34	PH5503034	HANDLE
35	PH5503035	CARBON BRUSH (2)
36	PH5503036	GRIZZLY ID LABEL