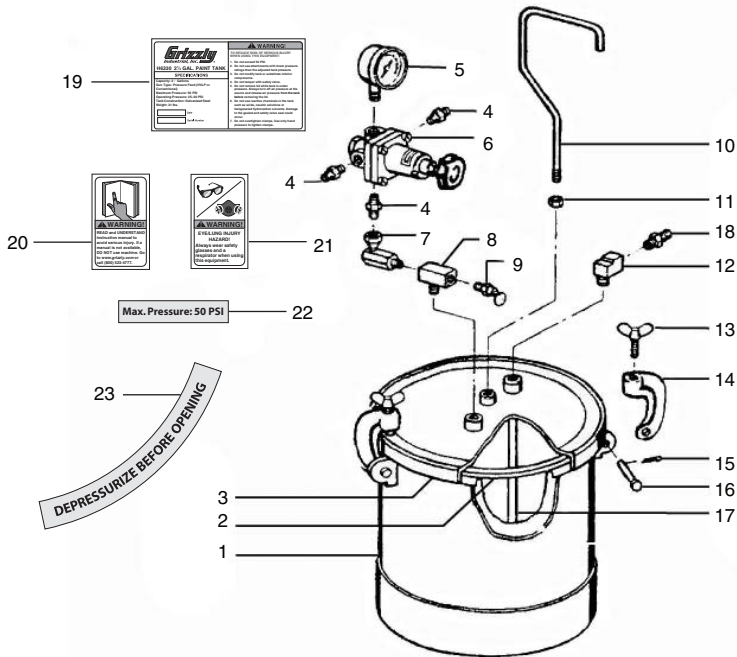


H6330 PAINT TANK



REF PART #	DESCRIPTION
1	PH8225018 TANK SHELL ASSEMBLY
2	PH8225017 LID GASKET
3	PH8225016 LID ASSEMBLY
4	PH8225015 ADAPTER
5	PH8225014 GAUGE
6	PH8225013 REGULATOR
7	PH8225012 SWIVEL ADAPTOR
8	PH8225011 T-BRANCH
9	PH8225010 SAFETY VALVE
10	PH8225009 HANDLE M8-1.25
11	PN03M HEX NUT M8-1.25
12	PH8225007 FLUID OUTLET

REF PART #	DESCRIPTION
13	PH8225006 WING SCREW M10-1.5 X 40
14	PH8225005 LID CLAMP
15	PH8225004 COTTER PIN 2 X 30
16	PH8225003 CLEVIS PIN 3/8 X 1-1/4
17	PH8225002 FLUID TUBE
18	PH8225001 FLUID OUTLET ADAPTER
19	PH6330019 MACHINE ID LABEL FOR H6330
20	PLABEL-12A READ MANUAL LABEL-VERT.
21	PLABEL-37 RESPIRATOR/GLASSES LABEL
22	PH8225026 MAXIMUM PRESSURE LABEL
23	PH8225027 DEPRESSURIZE LABEL