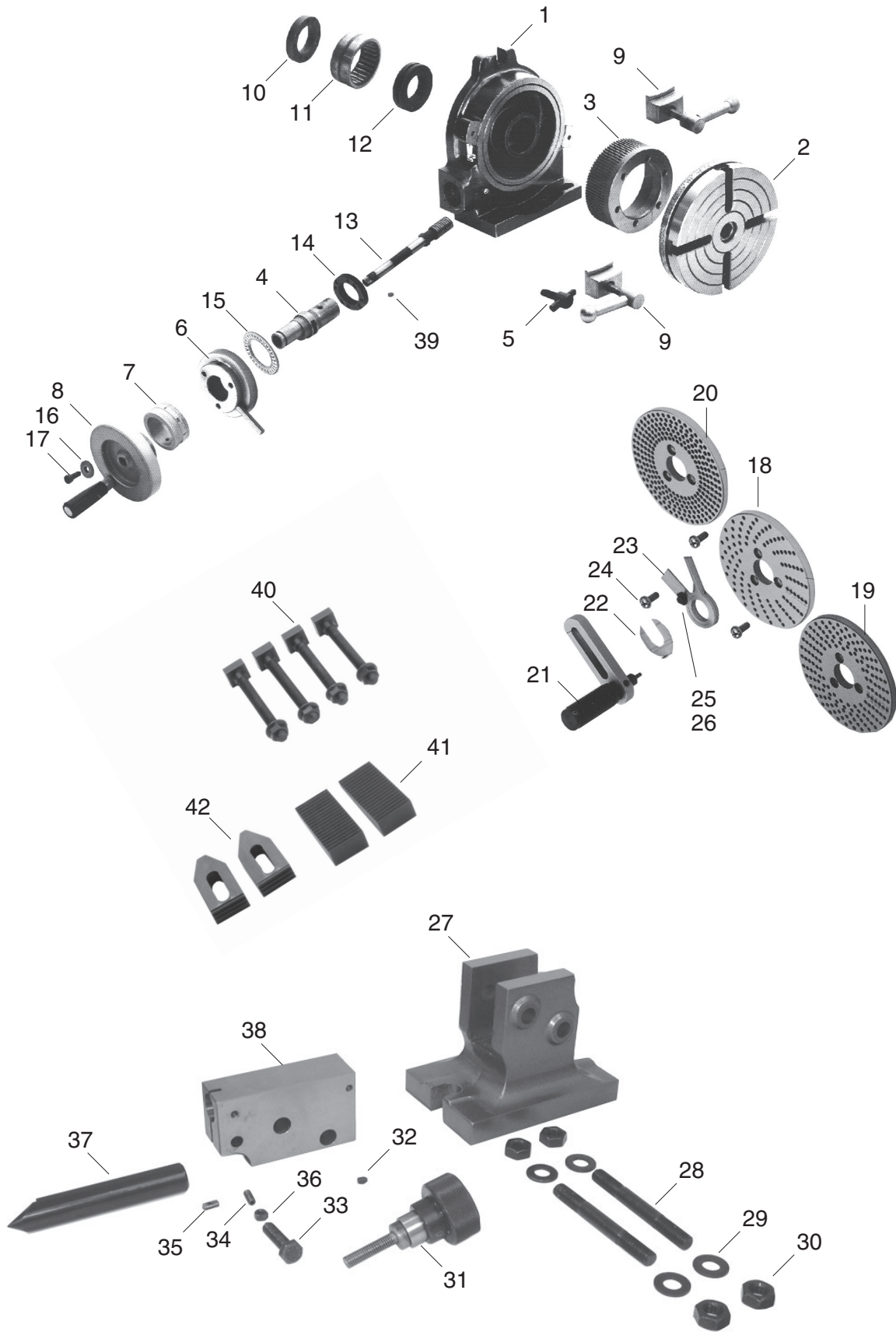


H7527 Parts Breakdown



H7527 Parts List

REF	PART #	DESCRIPTION
1	PH7527001	MAIN BODY
2	PH7527002	TABLE
3	PH7527003	WORM WHEEL
4	PH7527004	SHAFT
5	PH7527005	WORM LOCK THUMB SCREW
6	PH7527006	VERNIER RING
7	PH7527007	GRADUATED COLLAR
8	PH7527008	HANDWHEEL
9	PH7527009	CLAMP
10	PH7527010	THREADED COLLAR
11	PH7527011	SPECIAL BEARING
12	PH7527012	COLLAR
13	PH7527013	WORM
14	PH7527014	COLLAR
15	PH7527015	LOCK RING
16	PH7527016	SPECIAL WASHER
17	PH7527017	HEX BOLT M6-1 X 15
18	PH7527018	DIVIDING PLATE 15-20
19	PH7527019	DIVIDING PLATE 21-33
20	PH7527020	DIVIDING PLATE 37-49
21	PH7527021	CRANK HANDLE

REF	PART #	DESCRIPTION
22	PH7527022	SECTOR ARM SPRING
23	PH7527023	SECTOR ARM
24	PS09M	PHLP HD SCR M5-.8 X 10
25	PSS79M	SET SCREW M4-.7 X 6
26	PW05M	FLAT WASHER 4MM
27	PH7527027	TAILSTOCK BASE
28	PH7527028	STUD M10-1.5 X 85
29	PW04M	FLAT WASHER 10MM
30	PN02M	HEX NUT M10-1.5
31	PH7527031	KNURLED KNOB
32	PSS26M	SET SCREW M5-.8 X 6
33	PB26M	HEX BOLT M8-1.25 X 30
34	PSS53M	SET SCREW M5-.8 X 12
35	PH7527035	KEY 3 X 4 X 5
36	PN06M	HEX NUT M5-.8
37	PH7527037	DEAD CENTER
38	PH7527038	TAILSTOCK BODY
39	PK108M	KEY 3 X 3 X 5
40	PH7527040	T-BOLT & NUT M8-1.25
41	PH7527041	STEP BLOCK
42	PH7527042	SERRATED END CLAMP