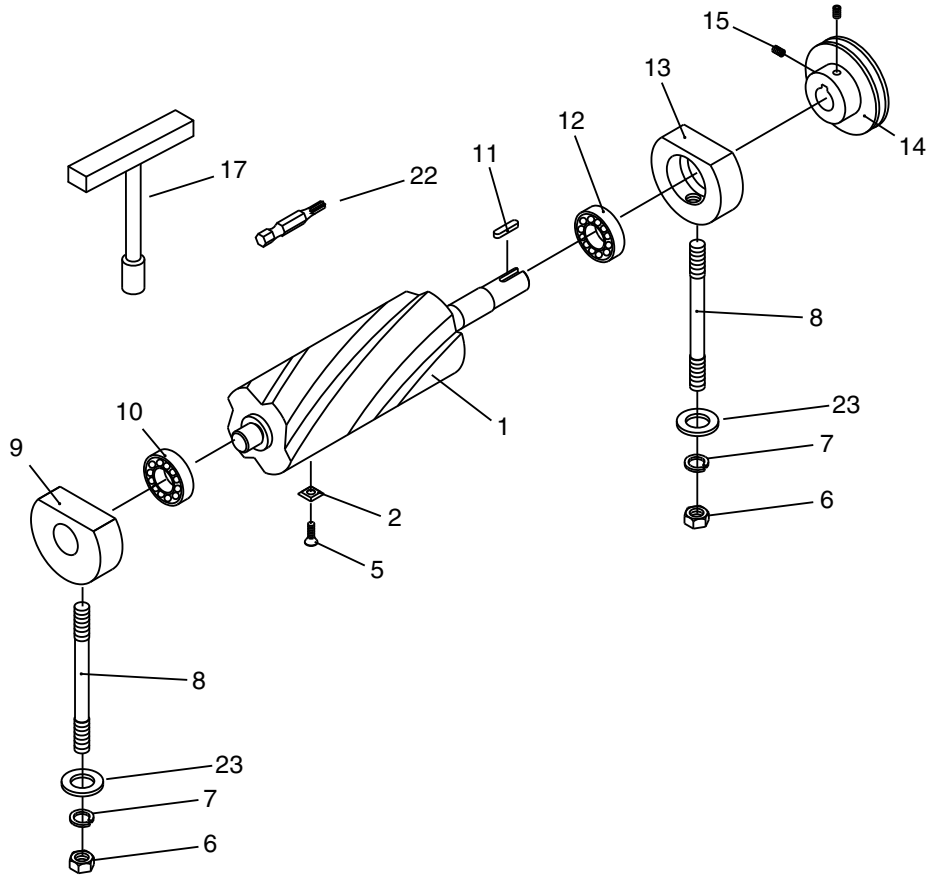


H7653/H7654 Breakdown



H7653 Parts

REF	PART #	DESCRIPTION
1	PH7653001	SPIRAL CUTTERHEAD 6"
2	PH7653002	INDEXABLE INSERT 14 x 14 x 2
2-1	H7319	SET OF 10 INDEXABLE INSERTS
5	PFH35M	FLAT HD TORX SCR T20 M6-1 X 15
6	PN11	HEX NUT 3/8-24
7	PLW06M	LOCK WASHER 10MM
8	PH7653006	BEARING BLOCK STUD
9	PH7653007	BALL BEARING BLOCK
10	P6202	BALL BEARING 6202

REF	PART #	DESCRIPTION
11	PK12M	KEY 5 x 5 x 30
12	P6203	BALL BEARING 6203
13	PH7653011	BALL BEARING BLOCK
14	PH7653012	PULLEY
15	PSS03	SETSCREW 1/4-20 X 3/8
17	PH7653014	T-HANDLE DRIVER 1/4"
22	PH7653015	TORX BIT T20
23	PW04M	FLAT WASHER 10MM

H7654 Parts

REF	PART #	DESCRIPTION
1	PH7654001	SPIRAL CUTTERHEAD 8"
2	PH7653002	INDEXABLE INSERT 14 x 14 x 2
2-1	H7319	SET OF 10 INDEXABLE INSERTS
5	PFH35M	FLAT HD TORX SCR T20 M6-1 X 15
6	PN11	HEX NUT 3/8-24
7	PLW06M	LOCK WASHER 10MM
8	PH7654008	BEARING BLOCK STUD
9	PH7654009	BALL BEARING BLOCK
10	P6204	BALL BEARING 6204

REF	PART #	DESCRIPTION
11	PK15M	KEY 5 x 5 x 35
12	P6205	BALL BEARING 6205
13	PH7654013	BALL BEARING BLOCK
14	PH7654014	PULLEY
15	PSS02	SET SCREW 5/16-18 X 3/8
17	PH7653014	T-HANDLE DRIVER 1/4"
22	PH7653015	TORX BIT T20
23	PW04M	FLAT WASHER 10MM