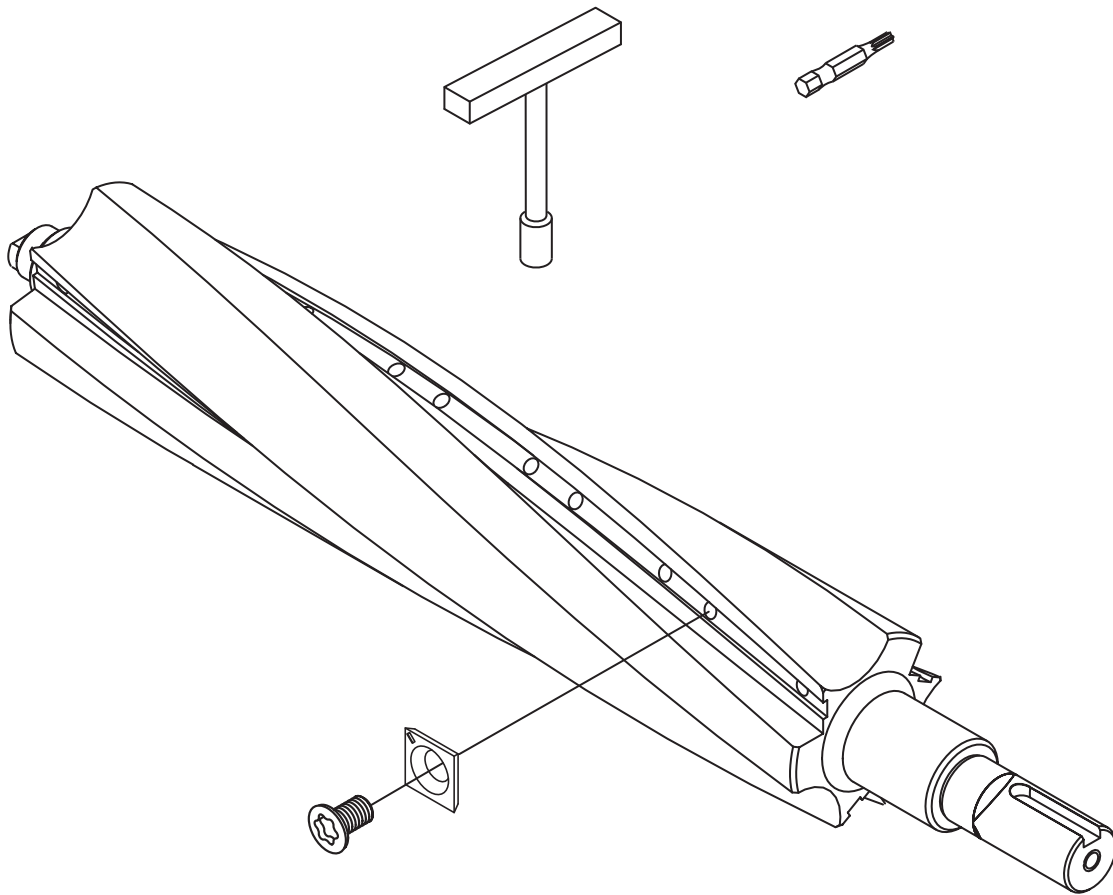


H7655/H7656 Breakdown



H7655 Parts

REF	PART #	DESCRIPTION
1	PH7655001	SPIRAL CUTTERHEAD 15"
2	PH7653002	INDEXABLE INSERT 14 x 14 x 2
3	PFH35M	FLAT HD TORX SCR T20 M6-1 X 15

REF	PART #	DESCRIPTION
4	PH7653015	TORX BIT T20
5	PH7653014	T-HANDLE DRIVER 1/4"

H7656 Parts

REF	PART #	DESCRIPTION
1	PH7656001	SPIRAL CUTTERHEAD 20"
2	PH7653002	INDEXABLE INSERT 14 x 14 x 2
3	PFH35M	FLAT HD TORX SCR T20 M6-1 X 15

REF	PART #	DESCRIPTION
4	PH7653015	TORX BIT T20
5	PH7653014	T-HANDLE DRIVER 1/4"