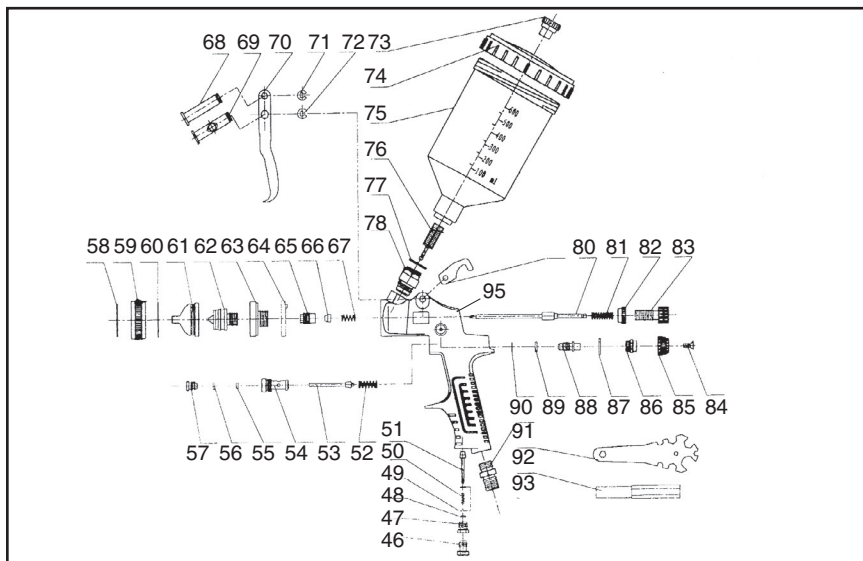
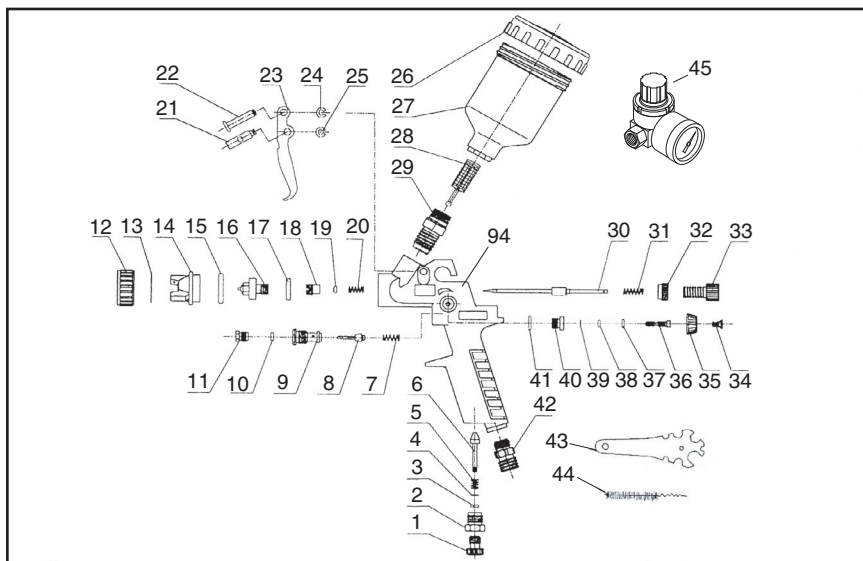


Parts Breakdown H7671/H7672



Parts List H7671/H7672

REF PART #	DESCRIPTION
1	PH7671001 FLUID ADJUSTMENT SCREW
2	PH7671002 FLUID ADJUSTMENT KNOB
3	PH7671003 O-RING
4	PH7671004 SPECIAL WASHER
5	PH7671005 AIR VALVE SPRING
6	PH7671006 AIR INLET VALVE
7	PH7671007 SWITCH SPRING
8	PH7671008 AIR INLET VALVE ASSY
9	PH7671009 SWITCH KNOB
10	PH7671010 SWITCH WASHER
11	PH7671011 LOCK SCREW
12	PH7671012 CAP NUT
13	PH7671013 AIR CAP WASHER
14	PH7671014 ATOMIZATION CAP
15	PH7671015 NUT HOUSING
16	PH7671016 FLUID NOZZLE 0.8MM
17	PH7671017 FLUID NOZZLE WASHER
18	PH7671018 NOZZLE BOLT
19	PH7671019 NEEDLE WASHER
20	PH7671020 COMPRESSED SPRING
21	PH7671021 TRIGGER LEVER 1
22	PH7671022 TRIGGER LEVER 2
23	PH7671023 TRIGGER
24	PH7671024 SNAP RETAINER
25	PH7671025 SNAP RETAINER
26	PH7671026 CONTAINER COVER
26	PH7671026 CONTAINER COVER
27	PH7671027 CUP 100ML
27	PH7671027 CUP 100ML
28	PH7671028 FILTER
29	PH7671029 FLUID INLET JOINT
30	PH7671030 FLUID NEEDLE
31	PH7671031 FLUID NEEDLE SPRING
32	PH7671032 LOCK RING
33	PH7671033 PAINT ADJ KNOB
34	PH7671034 KNOB SCREW
35	PH7671035 PATTERN ADJ KNOB
36	PH7671036 PATTERN ADJ SCREW
37	PH7671037 O-RING
38	PH7671038 O-RING
39	PH7671039 SNAP RETAINER
40	PH7671040 PATTERN ADJ NUT
41	PH7671041 O-RING
42	PH7671042 AIR INLET JOINT
43	PH7671043 SERVICE WRENCH
44	PH7671044 CLEANING BRUSH
45	PH7671045 AIR REGULATOR
46	PH7671046 AIR ADJUSTMENT SCREW
47	PH7671047 AIR ADJUSTMENT KNOB
48	PH7671048 O-RING

REF PART #	DESCRIPTION
49	PH7671049 SPECIAL WASHER
50	PH7671050 AIR VALVE SPRING
51	PH7671051 AIR INLET VALVE
52	PH7671052 SWITCH SPRING
53	PH7671053 AIR VALVE BODY
54	PH7671054 SWITCH KNOB
55	PH7671055 O-RING
56	PH7671056 SPECIAL WASHER
57	PH7671057 DIRECTION SCREW
58	PH7671058 PIN SPRING
59	PH7671059 CAP NUT
60	PH7671060 FLUID CAP WASHER
61	PH7671061 ATOMIZATION CAP
62	PH7671062 FLUID NOZZLE 1.4MM
63	PH7671063 BAFFLE
64	PH7671064 BAFFLE WASHER
65	PH7671065 DIRECTION SCREW
66	PH7671066 PAINT NEEDLE WASHER
67	PH7671067 LOCKING SPRING
68	PH7671068 TRIGGER LEVER 1
69	PH7671069 TRIGGER LEVER 2
70	PH7671070 TRIGGER
71	PH7671071 SNAP RETAINER
72	PH7671072 SNAP RETAINER
73	PH7671073 VENTILATOR HEAD
74	PH7671074 CUP COVER
74	PH7671074 CUP COVER
75	PH7671075 CUP 600ML
75	PH7671075 CUP 600ML
76	PH7671076 FILTER
77	PH7671077 INLET WASHER
78	PH7671078 FLUID INLET JOINT
79	PH7671079 HOOK
80	PH7671080 FLUID ADJ NEEDLE
81	PH7671081 FLUID NEEDLE SPRING
82	PH7671082 LOCK NUT
83	PH7671083 FLUID ADJ KNOB
84	PH7671084 KNOB SCR
85	PH7671085 PATTERN ADJ
86	PH7671086 PATTERN ADJ KNOB
87	PH7671087 SPECIAL WASHER
88	PH7671088 PATTERN ADJ SCREW
89	PH7671089 O-RING
90	PH7671090 SNAP RETAINER
91	PH7671091 AIR INLET JOINT
92	PH7671092 SERVICE WRENCH
93	PH7671093 BAFFLE WRENCH
94	PH7671094 SMALL GUN BODY
95	PH7671095 LARGE GUN BODY