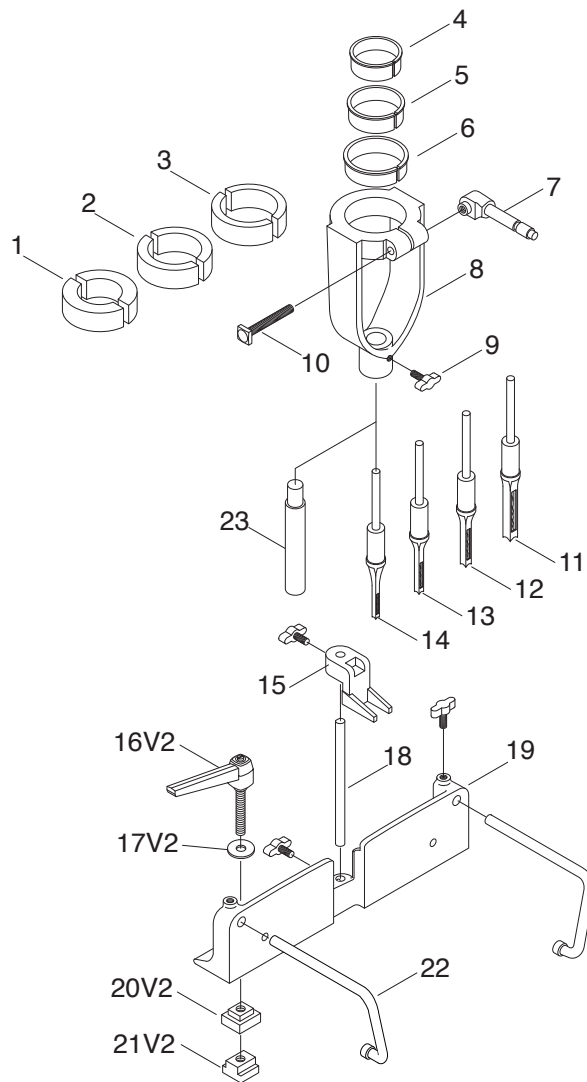


H7789 Parts Breakdown and List



REF PART #	DESCRIPTION
1	PH7789001 BUSHING PAIR 2.6" X 1.57"
2	PH7789002 BUSHING PAIR 2.6" X 1.88"
3	PH7789003 BUSHING PAIR 2.6" X 2.00"
4	PH7789004 SLEEVE 2.366" X 2.17"
5	PH7789005 SLEEVE 2.6" X 2.366"
6	PH7789006 SLEEVE 2.945" X 2.6"
7	PH7789007 ADJUSTABLE HANDLE
8	PH7789008 CONE
9	PH7789009 KNOB
10	PH7789010 SQUARE HD BOLT 5/16"-18 X 2"
11	PH7789011 MORTISING CHISEL 1/4"
12	PH7789012 MORTISING CHISEL 5/16"

REF PART #	DESCRIPTION
13	PH7789013 MORTISING CHISEL 3/8"
14	PH7789014 MORTISING CHISEL 1/2"
15	PH7789015 HOLD DOWN
16V2	PH7789016V2 ADJUSTABLE HANDLE M6-1 X 25 V2.10.15
17V2	PH7789017V2 FLAT WASHER 6MM
18	PH7789018 ROD
19	PH7789019 FENCE
20V2	PH7789020V2 T-NUT (SMALL) M6-1
21V2	PH7789021V2 T-NUT (LARGE) M6-1
22	PH7789022 HOLD DOWN ROD
23	PH7789023 ALIGNMENT TOOL

Please Note: We do our best to stock replacement parts whenever possible, but we cannot guarantee that all parts shown here are available for purchase. Call (800) 523-4777 or visit our online parts store at www.grizzly.com to check for availability.

