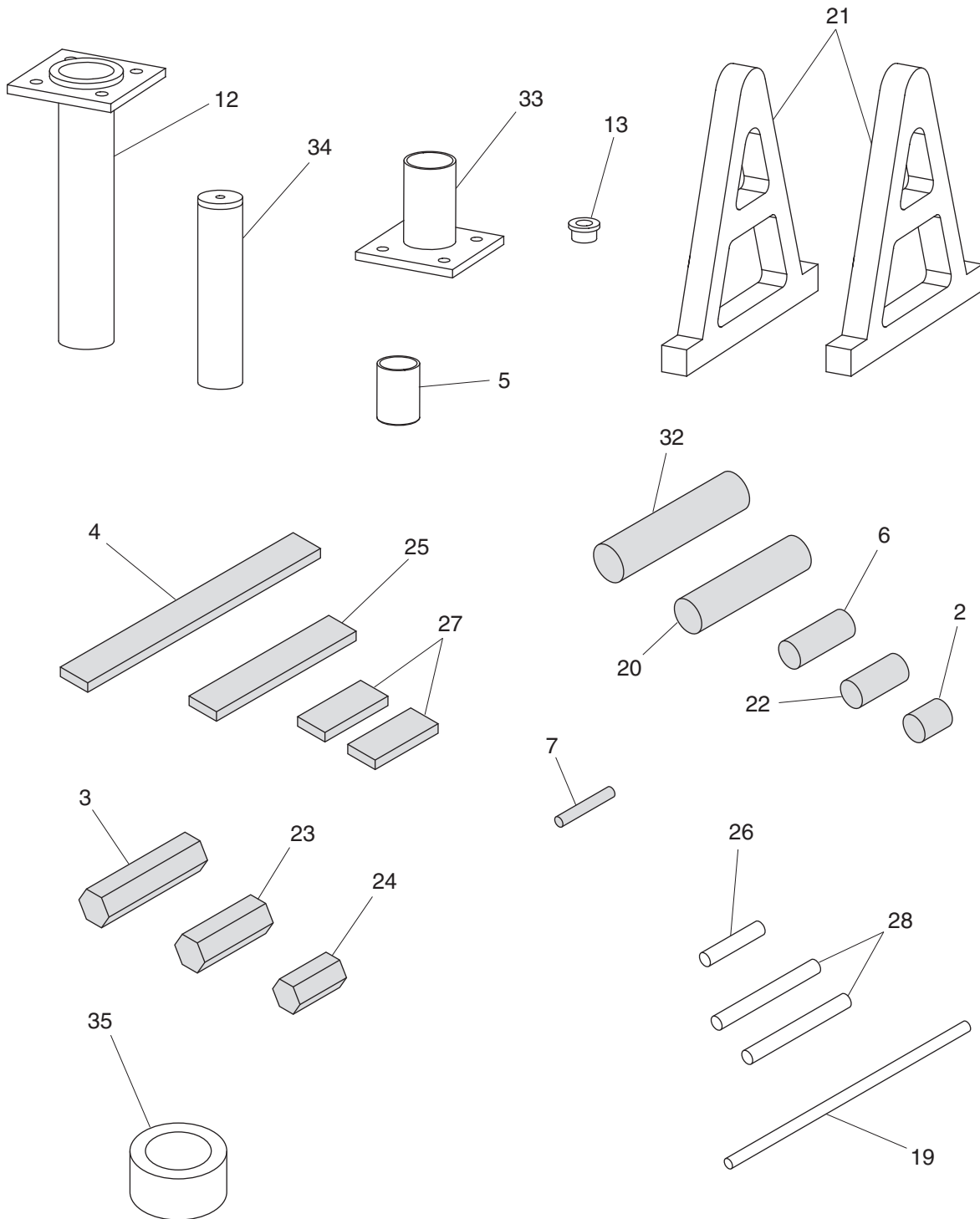


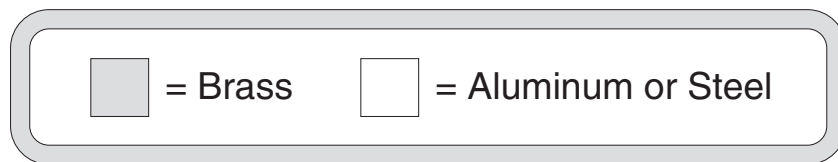
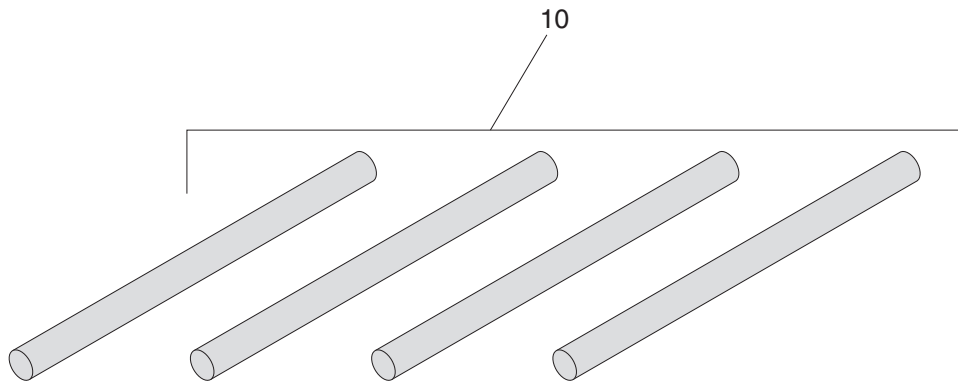
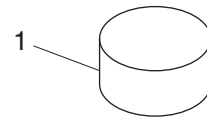
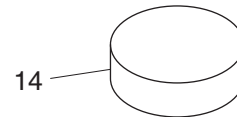
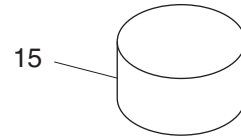
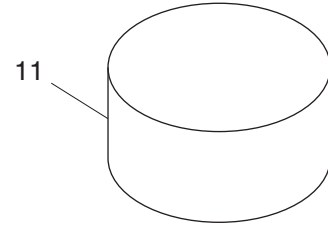
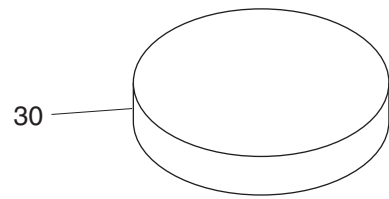
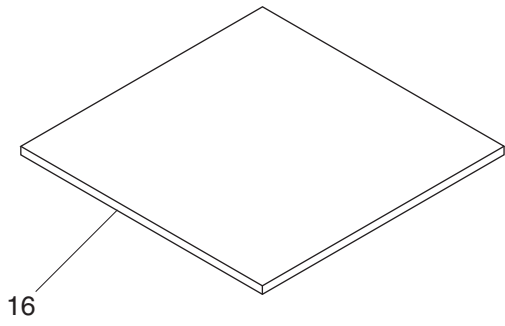
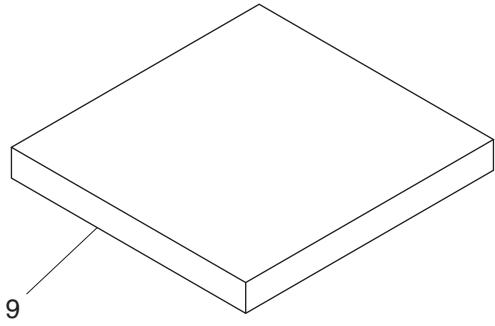


Inventory



 = Brass  = Aluminum or Steel





Parts List & Inventory

Ref No.	Part ID	Part No.	Description	Quantity
1	HAE0301	PH8103001	ALUMINUM CYLINDER BLANK 40 X 20MM	1
2	HAE0314	PH8103002	BRASS CYLINDER BLANK 8 X 10MM	1
3	HAE0204	PH8103003	BRASS HEXAGON BLANK 5.5 X 36MM	1
4	HAE0302	PH8103004	BRASS PLATE BLANK 85 X 10 X 3MM	1
5	RB2-00	PH8103005	COOLING CYLINDER 40MM	1
6	HAE0215	PH8103006	BRASS CYLINDER BLANK 8 X 20MM	1
7	HAE0216	PH8103007	BRASS ROD BLANK 3 X 19MM	1
9	HAE0309	PH8103009	ALUMINUM PLATE BLANK 130 X 123 X 14MM	1
10	HAE0308	PH8103010	BRASS ROD BLANK 12 X 175MM	1
11	HAE0306	PH8103011	ALUMINUM CYLINDER BLANK 80 X 40MM	1
12	RQ2-00	PH8103012	HEATING CYLINDER 93MM	1
13	P01	PH8103013	WICK HOLDER	1
14	HAE0120	PH8103014	ALUMINUM CYLINDER BLANK 48 X 15MM	1
15	HAE0121	PH8103015	ALUMINUM CYLINDER BLANK 46 X 25MM	1
16	HAE0311	PH8103016	ALUMINUM PLATE BLANK 123 X 123 X 3.75MM	1
19	HAE0209	PH8103019	STEEL ROD BLANK 3 X 87MM	1
20	HAE0310	PH8103020	BRASS CYLINDER BLANK 10 X 40MM	1
21	HAE0307-01	PH8103021	A-FRAME STEEL BLANK	1
22	HAE0210	PH8103022	BRASS CYLINDER BLANK 8 X 17MM	1
23	HAE0128	PH8103023	BRASS HEXAGON BLANK 5.5 X 25MM	1
24	HAE0129	PH8103024	BRASS HEXAGON BLANK 5 X 17MM	1
25	HAE0313	PH8103025	BRASS PLATE BLANK 51 X 10 X 3MM	1
26	HAE0305	PH8103026	STEEL ROD BLANK 4 X 20MM	1
27	HAE0304	PH8103027	BRASS PLATE BLANK 23 X 10 X 3MM	2
28	HAE0303	PH8103028	STEEL ROD BLANK 4 X 36MM	2
30	HAE0312	PH8103030	ALUMINUM CYLINDER BLANK 92 X 17MM	1
32	HAE0307-02	PH8103032	BRASS CYLINDER BLANK 11 X 46MM	1
33	RB2-02	PH8103033	COOLING PISTON 22MM	1
34	RQ2.02-00	PH8103034	HEATING PISTON 63MM	1
35	HAE0315	PH8103035	ALUMINUM HOLLOW CYLINDER BLANK 25 X 13MM	1



Machining Parts

The finished parts for your Stirling engine require precise machining and the equipment to do so. However, it is beyond the scope of this manual to provide instructions on how to machine these parts.

Use the machining specifications and illustrations beginning on **Page 12** to produce the parts required to assemble your Stirling engine (all dimensions are in millimeters).

Note: *Some parts have been pre-machined at our factory and are identified as such below. Also, there are some common fasteners and the wood base that are not included with this kit.*

When you have completed machining the parts, you should have the finished parts listed below. Reference this information, the **Assembly Diagram** on **Page 9**, and **Additional Assembly Instructions** on **Page 10** to complete the assembly of your Stirling engine.

Finished Parts

Ref No.	Qty	Specs Page	Finished Part Description	Ref No.	Qty	Specs Page	Finished Part Description
1	1	12	Eccentric Drive Wheel	20	1	19	Heating Piston Drive Rod Shaft
2	1	13	Bushing	21	2	19	A-Frame Bracket
3	1	13	Brass Hex Bolt M3-.5 x 12	22	1	20	Slotted Pivot Connector #2
4	1	14	Cooling Piston Connector Rod	23	1	20	Brass Hex Bolt M3-.5 x 12
6	1	14	Slotted Pivot Connector #1	24	1	21	Brass Hex Nut M3-.5
7	1	15	Pin	25	1	21	Heating Piston Connector Rod
9	1	15	Mounting Plate	26	1	22	Axle 16mm
10	4	16	Threaded Support Shaft	27	2	22	Connecting Arm
11	1	16	Radiator	28	1	23	Axle 36mm
14	1	17	Fuel Reservoir Lid	30	1	23	Fly Wheel
15	1	17	Fuel Reservoir	32	2	24	Axle Shaft
16	1	18	Base Plate	35	1	24	Lock Collar
19	1	18	Heating Piston Drive Rod				

Pre-Finished Parts

Ref No.	Qty	Finished Part Description	Ref No.	Qty	Finished Part Description
5	1	Cooling Cylinder	33	1	Cooling Piston
12	1	Heating Cylinder	34	1	Heating Piston
13	1	Wick Holder			

Common Fasteners & Wood Base (not provided)

Ref No.	Qty	Description	Ref No.	Qty	Description
8	8	Cap Screw M4-.7 x 8	29	2	Set Screw M3-.5 x 10
17	4	Hex Nut M5-.8	31	4	Cap Screw M5-.8 x 16
18	1	Wood Base	36	1	Set Screw M3-.5 x 4



Assembly Diagram

