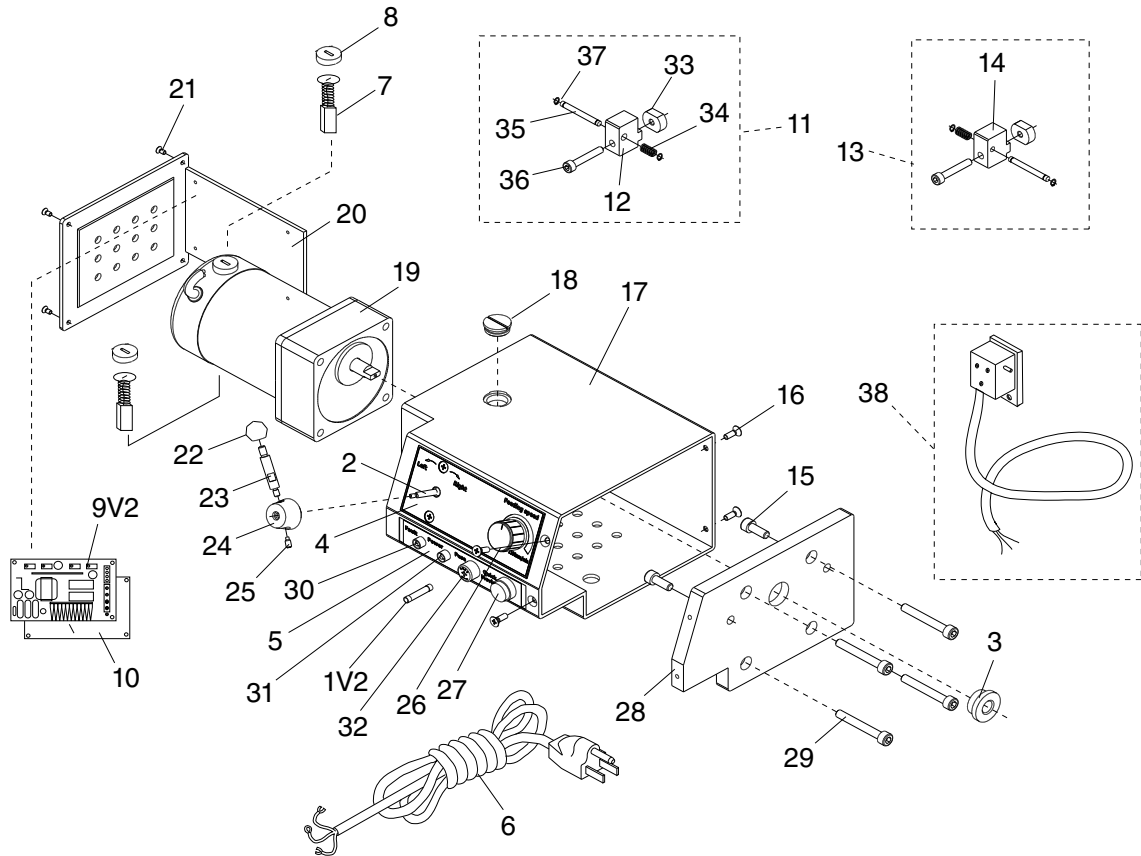


# Parts Breakdown



REF	PART #	DESCRIPTION
1V2	PH81780001V2	FUSE 2A V2.07.07
2	PH81780002	FEED DIRECTION SWITCH
3	PH81780003	FEED SHAFT BUSHING
4	PH81780004	UPPER LABEL
5	PH81780005	LOWER LABEL
6	PH81780006	POWER CORD 110V 7'
7	PH81780007	BRUSH SET
8	PH81780008	BRUSH CAP
9V2	PH8178009V2	CIRCUIT BOARD XMT-1115J V2.07.07
10	PH81780010	INSULATOR
11	PH81780011	RIGHT STOP ASSEMBLY
12	PH81780012	RIGHT STOP BLOCK
13	PH81780013	LEFT STOP ASSEMBLY
14	PH81780014	LEFT STOP BLOCK
15	PSB01M	CAP SCREW M6-1 X 16
16	PFH25M	FLAT HD SCR M4-.7 X 12
17	PH81780017	HOUSING
18	PH81780018	DUST PLUG
19	PH81780019	MOTOR AND GEARBOX

REF	PART #	DESCRIPTION
20	PH81780020	VENT COVER
21	PFH49M	FLAT HD SCR M3-.5 X 6
22	PH81780022	FEMALE BALL KNOB M5-.8
23	PH81780023	LEVER
24	PH81780024	LEVER HUB
25	PS07M	PHLP HD SCR M4-.7 X 8
26	PH81780026	DIAL KNOB
27	PH81780027	RAPID FEED BUTTON
28	PH81780028	MOUNTING PLATE
29	PSB30M	CAP SCREW M6-1 X 45
30	PH81780030	FAULT LAMP
31	PH81780031	POWER LAMP
32	PH81780032	FUSE HOUSING
33	PH81780033	T-NUT
34	PH81780034	COMPRESSION SPRING
35	PH81780035	SHAFT PIN
36	PSB95M	CAP SCREW M5-.8 X 30
37	PH81780037	CRIMP CLIP
38	PH81780038	LIMIT SWITCH ASSEMBLY

