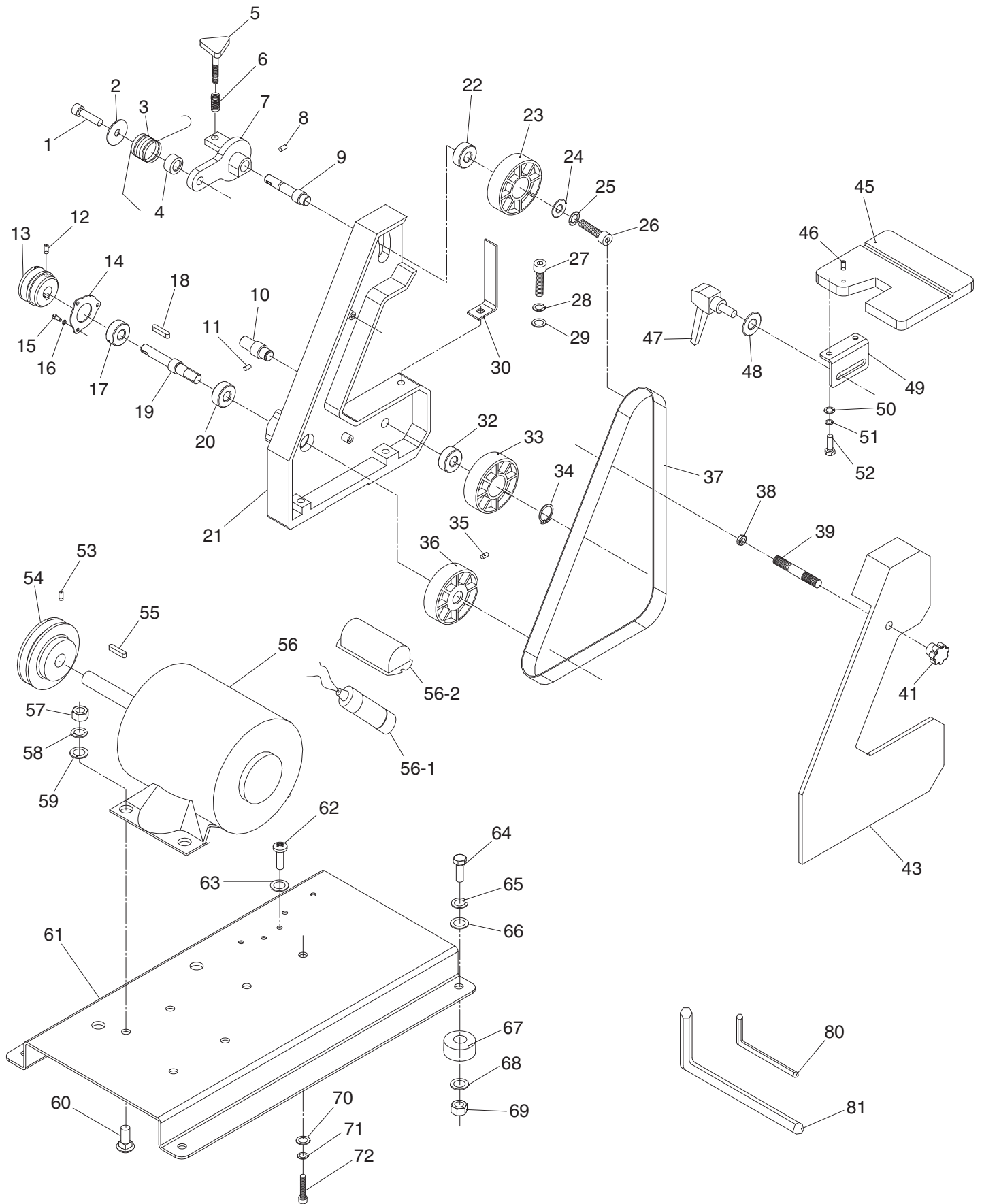
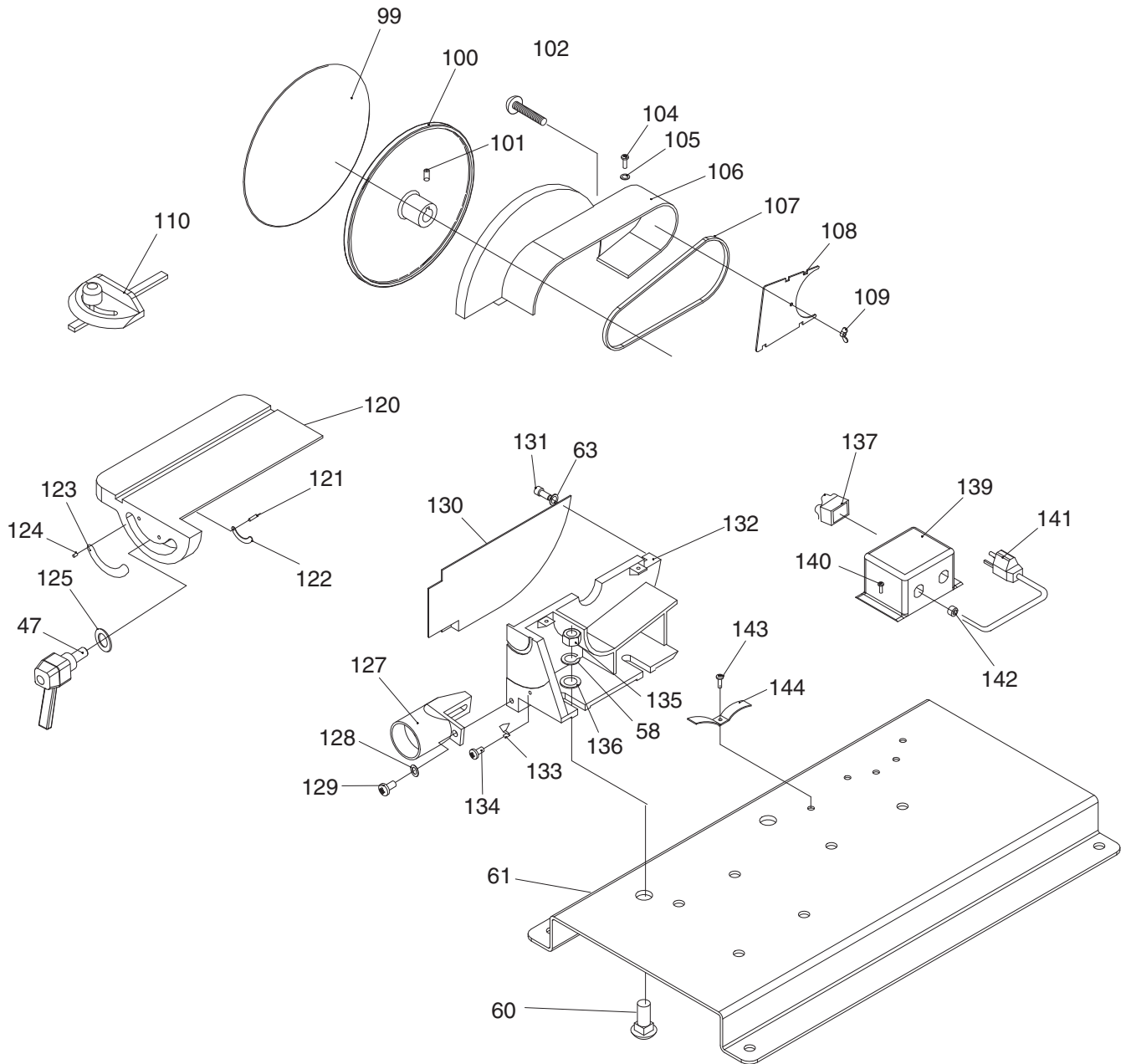


Sanding Belt & Motor Breakdown



Sanding Disc Breakdown



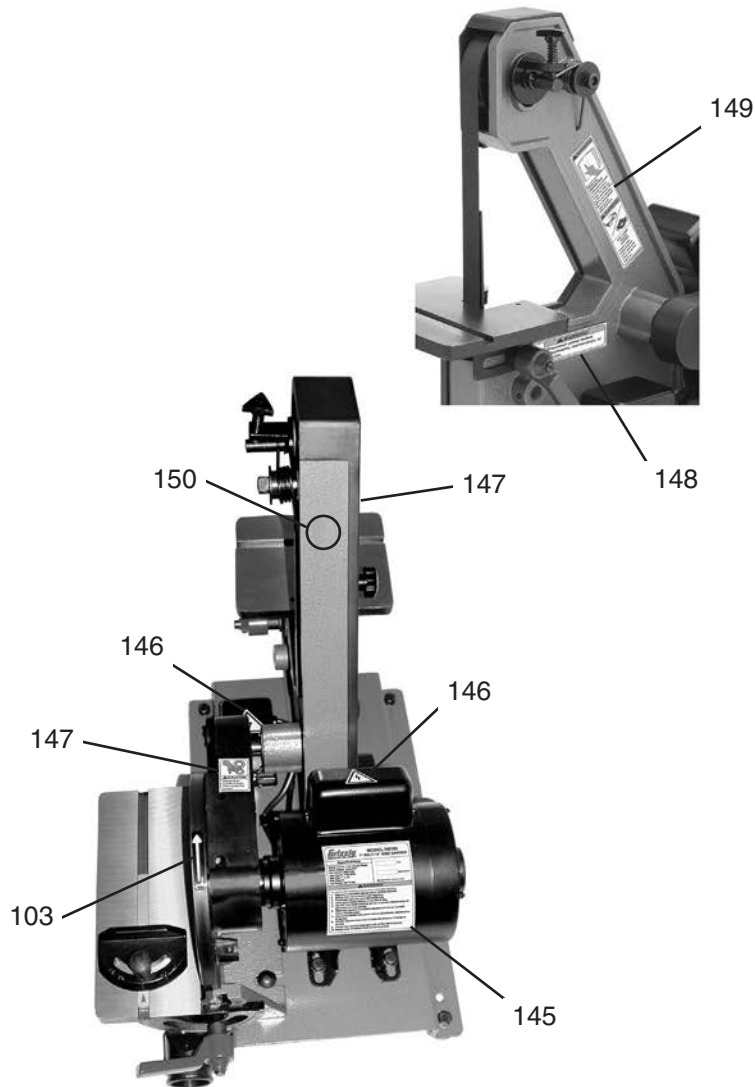
Parts List

| REF | PART # | DESCRIPTION |
|------|-------------|------------------------------|
| 1 | PSB47M | CAP SCREW M10-1.5 X 40 |
| 2 | PW04M | FLAT WASHER 10MM |
| 3 | PH8192003 | TORSION SPRING |
| 4 | PH8192004 | SPACER |
| 5 | PH8192005 | TRACKING KNOB |
| 6 | PH8192006 | COMPRESSION SPRING |
| 7 | PH8192007 | TRACKING BRACKET |
| 8 | PRP42M | ROLL PIN 3 X 20 |
| 9 | PH8192009 | SHAFT |
| 10 | PH8192010 | SHAFT |
| 11 | PSS05M | SET SCREW M5-.8 X 10 |
| 12 | PSS05M | SET SCREW M5-.8 X 10 |
| 13 | PH8192013 | BELT DRIVE PULLEY |
| 14 | PH8192014 | RETAINING PLATE |
| 15 | PS07M | PHLP HD SCR M4-.7 X 8 |
| 16 | PTLW01M | EXT TOOTH WASHER 4MM |
| 17 | P6202 | BALL BEARING 6202ZZ |
| 18 | PK23M | KEY 5 X 5 X 25 |
| 19 | PH8192019 | SHAFT |
| 20 | P6002-2RS | BALL BEARING 6002-2RS |
| 21 | PH8192021 | BELT HOUSING |
| 22 | P6202 | BALL BEARING 6202ZZ |
| 23 | PH8192023 | UPPER BELT PULLEY |
| 24 | PW03M | FLAT WASHER 6MM |
| 25 | PLW03M | LOCK WASHER 6MM |
| 26 | PSB04M | CAP SCREW M6-1 X 10 |
| 27 | PSB146M | CAP SCREW M10-1.5 X 15 |
| 28 | PLW06M | LOCK WASHER 10MM |
| 29 | PW04M | FLAT WASHER 10MM |
| 30 | PH8192030 | BELT SUPPORT |
| 32 | P6202 | BALL BEARING 6202ZZ |
| 33 | PH8192033 | MIDDLE BELT PULLEY |
| 34 | PR05M | EXT RETAINING RING 15MM |
| 35 | PSS53M | SET SCREW M5-.8 X 12 |
| 36 | PH8192036 | LOWER BELT PULLEY |
| 37 | PH8192037 | SANDING BELT 1" X 42" |
| 38 | PN01M | HEX NUT M6-1 |
| 39 | PH8192039 | THREADED STUD M6-1 X 12 |
| 41 | PH8192041 | BELT COVER KNOB |
| 43 | PH8192043 | BELT COVER |
| 45 | PH8192045 | BELT TABLE |
| 46 | PSS57M | SET SCREW M5-.8 X 20 |
| 47 | PH8192047 | TABLE LOCK |
| 48 | PW04M | FLAT WASHER 10MM |
| 49 | PH8192049 | BELT TABLE SUPPORT |
| 50 | PW04M | FLAT WASHER 10MM |
| 51 | PLW06M | LOCK WASHER 10MM |
| 52 | PB70M | HEX BOLT M10-1.5 X 16 |
| 53 | PSS05M | SET SCREW M5-.8 X 10 |
| 54 | PH8192054 | MOTOR PULLEY |
| 55 | PK112M | KEY 5 X 5 X 55 |
| 56 | PH8192056 | MOTOR 1/3HP,110V,1-PH |
| 56-1 | PH8192056-1 | START CAPACITOR 240MF 125VAC |

| REF | PART # | DESCRIPTION |
|------|-------------|----------------------------|
| 56-2 | PH8192056-2 | CAPACITOR COVER |
| 57 | PN03M | HEX NUT M8-1.25 |
| 58 | PLW04M | LOCK WASHER 8MM |
| 59 | PW01M | FLAT WASHER 8MM |
| 60 | PCB01M | CARRIAGE BOLT M8-1.25 X 20 |
| 61 | PH8192061 | BASE |
| 62 | PS07M | PHLP HD SCR M4-.7 X 8 |
| 63 | PW05M | FLAT WASHER 4MM |
| 64 | PB03M | HEX BOLT M8-1.25 X 16 |
| 65 | PLW04M | LOCK WASHER 8MM |
| 66 | PW01M | FLAT WASHER 8MM |
| 67 | PH8192067 | RUBBER FOOT |
| 68 | PW01M | FLAT WASHER 8MM |
| 69 | PN03M | HEX NUT M8-1.25 |
| 70 | PW04M | FLAT WASHER 10MM |
| 71 | PLW06M | LOCK WASHER 10MM |
| 72 | PSB64M | CAP SCREW M10-1.5 X 25 |
| 80 | PAW02.5M | HEX WRENCH 2.5MM |
| 81 | PAW08M | HEX WRENCH 8MM |
| 99 | PH8192099 | SANDING DISC 8" |
| 100 | PH8192100 | SANDING DISC PLATE 8" |
| 101 | PSS31M | SET SCREW M5-.8 X 8 |
| 102 | PS78M | PHLP HD SCR M4-.7 X 45 |
| 104 | PS07M | PHLP HD SCR M4-.7 X 8 |
| 105 | PW05M | FLAT WASHER 4MM |
| 106 | PH8192106 | V-BELT SAFETY COVER |
| 107 | PVM19 | V-BELT M-19 0580 |
| 108 | PH8192108 | V-BELT REAR COVER |
| 109 | PWN03M | WING NUT M4-.7 |
| 110 | PH8192110 | MITER GUAGE |
| 120 | PH8192120 | DISC TABLE |
| 121 | PRP78M | ROLL PIN 4 X 10 |
| 122 | PH8192122 | ARC KEY |
| 123 | PH8192123 | ANGLE SCALE |
| 124 | PH8192124 | RIVET |
| 125 | PW04M | FLAT WASHER 10MM |
| 127 | PH8192127 | DUST PORT 2" |
| 128 | PW03M | FLAT WASHER 6MM |
| 129 | PS14M | PHLP HD SCR M6-1 X 12 |
| 130 | PH8192130 | DUST COVER |
| 131 | PS07M | PHLP HD SCR M4-.7 X 8 |
| 132 | PH8192132 | DISC COVER |
| 133 | PH8192133 | POINTER |
| 134 | PS07M | PHLP HD SCR M4-.7 X 8 |
| 135 | PN02M | HEX NUT M10-1.5 |
| 136 | PW04M | FLAT WASHER 10MM |
| 137 | PH8192137 | SWITCH W/SAFETY TAB |
| 139 | PH8192139 | SWITCH COVER |
| 140 | PS07M | PHLP HD SCR M4-.7 X 8 |
| 141 | PH8192141 | POWER CORD |
| 142 | PH8192142 | STRAIN RELIEF |
| 143 | PS07M | PHLP HD SCR M4-.7 X 8 |
| 144 | PH8192144 | CLAMP |



Label Placement



| REF | PART # | DESCRIPTION |
|-----|-----------|----------------------|
| 103 | PH8192103 | DIRECTION LABEL |
| 145 | PH8192145 | MACHINE ID LABEL |
| 146 | PLABEL-14 | ELECTRICITY LABEL |
| 147 | PH8192147 | GUARD IN PLACE LABEL |

| REF | PART # | DESCRIPTION |
|-----|-----------|----------------------------|
| 148 | PH8192148 | DISCONNECT POWER LABEL |
| 149 | PH8192149 | READ/EYE/LUNG COMBO LABEL |
| 150 | PPAINT-1 | GRIZZLY GREEN TCH/UP PAINT |

WARNING

Safety labels warn about machine hazards and ways to prevent injury. The owner of this machine **MUST** maintain the original location and readability of the labels on the machine. If any label is removed or becomes unreadable, **REPLACE** that label before using the machine again. Contact Grizzly at (800) 523-4777 or www.grizzly.com to order new labels.

