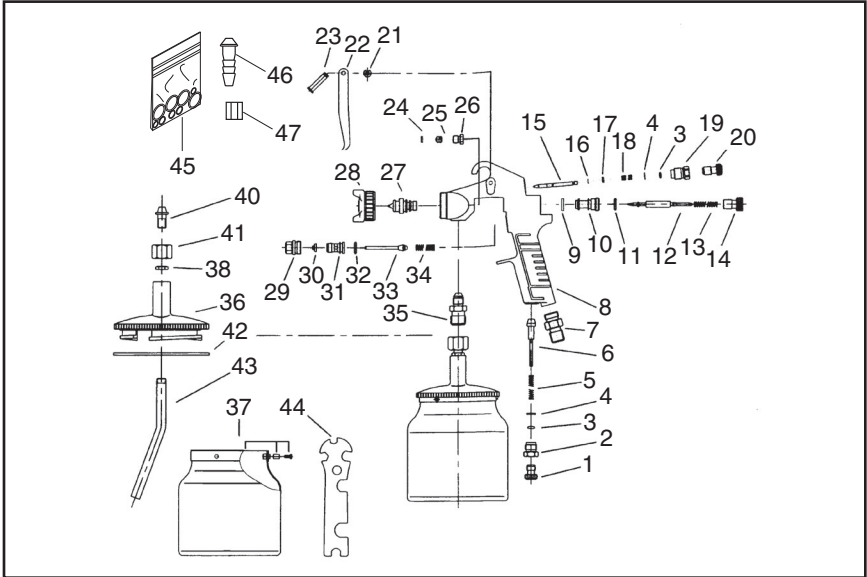


Parts Breakdown H8222



REF PART #	DESCRIPTION
1	PH8222001 ADJUSTMENT SCREW
2	PH8222002 ADJUSTMENT KNOB
3	PORS004 O-RING 3.5 X 1.5 S4
4	PH8222004 FLAT WASHER 3.5MM
5	PH8222005 COMPRESSION SPRING
6	PH8222006 AIR VALVE TUBE
7	PH8222007 AIR INLET JOINT
8	PH8222008 GUN BODY
9	PH8222009 SWITCH WASHER
10	PH8222010 SWITCH BOLT
11	PORS004 O-RING 3.5 X 1.5 S4
12	PH8222012 NEEDLE
13	PH8222013 NEEDLE SPRING
14	PH8222014 PAINT ADJUST KNOB
15	PH8222015 PATTERN ADJUST NEEDLE
16	PH8222016 PATTERN NEEDLE WASHER
17	PH8222017 GUIDING COPPER CIRCLE
18	PH8222018 PATTERN ADJUST SPRING
19	PH8222019 PATTERN ADJUST KNOB
20	PH8222020 PATTERN ADJUST SCREW
21	PEC02M E-CLIP 4MM
22	PH8222022 TRIGGER
23	PH8222023 TRIGGER PIN

REF PART #	DESCRIPTION
24	PH8222024 NEEDLE GASKET
25	PH8222025 SEALING WASHER
26	PH8222026 DIRECTION SCREW
27	PH8222027 NOZZLE
28	PH8222028 AIR CAP
29	PH8222029 SWITCH BOLT
30	PH8222030 SEALING WASHER
31	PH8222031 SWITCH BOLT
32	PORS009 O-RING 8.5 X 1.5 S9
33	PH8222033 AIR VALVE BODY
34	PH8222034 COMPRESSION SPRING
35	PH8222035 PAINT INLET CONNECTOR
36	PH8222036 LID
37	PH8222037 ALUMINUM CUP 1000CC
38	PH8222038 THIN HEX NUT M10-1.5
40	PH8222040 PAINT INLET JOINT
41	PH8222041 FLARE NUT 3/8" NPT
42	PH8222042 LID GASKET
43	PH8222043 SUCTION TUBE
44	PH8222044 MULTI-WRENCH
45	PH8222045 O-RING REPAIR KIT
46	PH8222046 BARBED HOSE FITTING
47	PH8222047 BARBED FITTING NUT