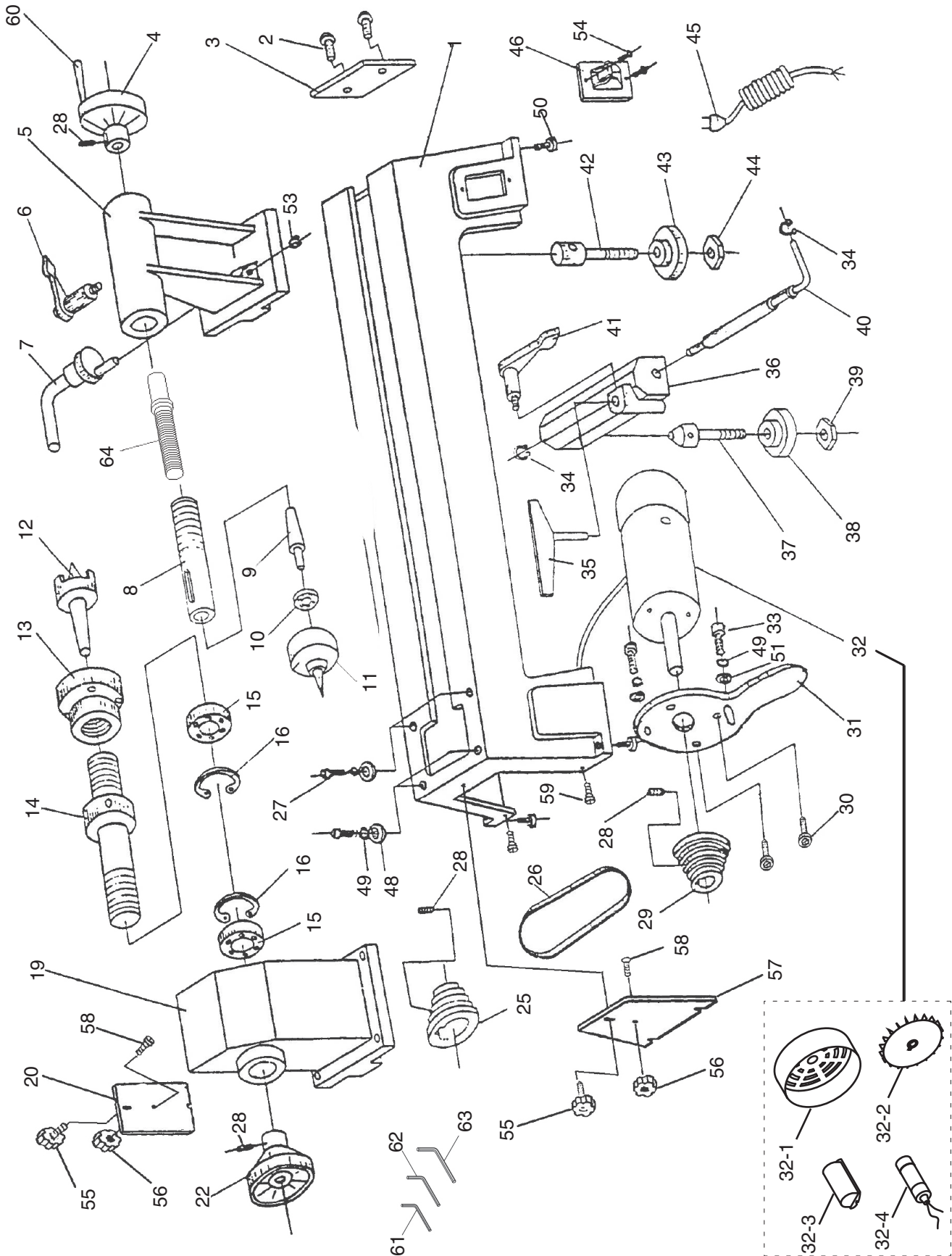


# Main Breakdown



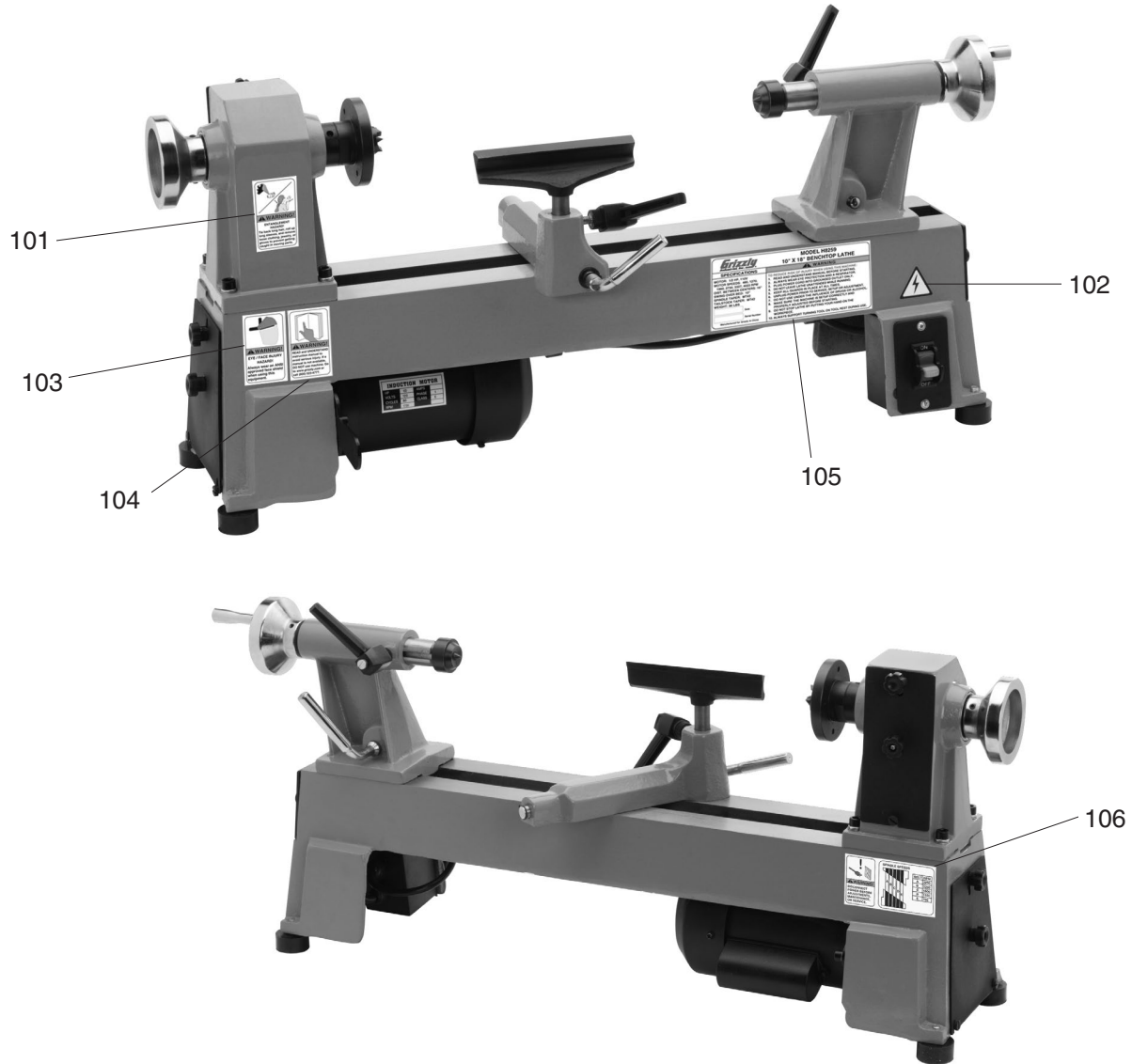
# Main Breakdown Parts List

REF	PART #	DESCRIPTION
1	PH8259001	LATHE BED
2	PSB64M	CAP SCREW M10-1.5 X 25
3	PH8259003	RETAINING PLATE
4	PH8259004	QUILL HANDWHEEL
5	PH8259005	TAILSTOCK
6	PH8259006	QUILL LOCK LEVER
7	PH8259007	TAILSTOCK LOCK LEVER
8	PH8259008	TAILSTOCK QUILL
9	PH8259009	LIVE CENTER TAPER ROD
10	P6002	BALL BEARING 6002ZZ
11	PH8259011	LIVE CENTER
12	PH8259012	SPUR CENTER
13	PH8259013	FACEPLATE
14	PH8259014	HEADSTOCK SPINDLE
15	P6005	BALL BEARING 6005ZZ
16	PR25M	INT RETAINING RING 47MM
19	PH8259019	HEADSTOCK
20	PH8259020	REAR ACCESS COVER
22	PH8259022	HEADSTOCK HANDWHEEL
25	PH8259025	DRIVE PULLEY
26	PH8259026	ULTRA-FLEX BELT 7 X 4 x 625
27	PSB13M	CAP SCREW M8-1.25 X 30
28	PSS04M	SET SCREW M6-1 X 12
29	PH8259029	MOTOR PULLEY
30	PSB28M	CAP SCREW M6-1 X 15
31	PH8259031	MOTOR PLATE
32	PH8259032	MOTOR (1/2HP 110V 1750RPM)
32-1	PH8259032-1	FAN COVER
32-2	PH8259032-2	FAN
32-3	PH8259032-3	CAPACITOR COVER
32-4	PH8259032-4	CAPACITOR 24M 300V 35 X 65MM

REF	PART #	DESCRIPTION
33	PSB14M	CAP SCREW M8-1.25 X 20
34	PR47M	EXT RETAINING RING 13MM
35	PH8259035	TOOL REST
36	PH8259036	TOOL REST BASE
37	PH8259037	TOOL REST ADJUST SHAFT
38	PH8259038	SLIDE COLLAR
39	PLN05M	LOCK NUT M10-1.5
40	PH8259040	TOOLREST BASE RELEASE LEVER
41	PH8259041	TOOLREST LOCK LEVER
42	PH8259042	TAILSTOCK ADJUST SHAFT
43	PH8259043	SLIDE COLLAR
44	PLN04M	LOCK NUT M8-1.25
45	PH8259045	POWER CORD
46	PH8259046	SWITCH W/SAFETY KEY
48	PW01M	FLAT WASHER 8MM
49	PLW04M	LOCK WASHER 8MM
50	PH8259050	RUBBER FOOT
51	PW01M	FLAT WASHER 8MM
53	PR01M	EXT RETAINING RING 10MM
54	PHTEK28M	TAP SCREW M4 X 25
55	PH8259055	LOCKING KNOB M5-.8 X 10
56	PH8259056	KNOB HANDLE
57	PH8259057	SIDE ACCESS COVER
58	PFH01M	FLAT HD SCR M5-.8 X 15
59	PH8259059	SHOULDER SCREW M5-.8 X 10
60	PH8259060	QUILL CRANK HANDLE
61	PAW03M	HEX WRENCH 3MM
62	PAW06M	HEX WRENCH 6MM
63	PAW08M	HEX WRENCH 8MM
64	PH8259064	TAILSTOCK LEADSCREW M16-2 X 60 (LH)



# Warning Labels Breakdown & Parts List



REF	PART #	DESCRIPTION
101	PH8259101	ENTANGLEMENT HAZARD LABEL
102	PLABEL-14	ELECTRICITY LABEL
103	PH8259103	FACE SHIELD LABEL

REF	PART #	DESCRIPTION
104	PH8259104	READ MANUAL LABEL
105	PH8259105	MACHINE ID LABEL
106	PH8259106	SPINDLE SPEEDS LABEL

## WARNING

Safety labels warn about machine hazards and ways to prevent injury. The owner of this machine **MUST** maintain the original location and readability of the labels on the machine. If any label is removed or becomes unreadable, **REPLACE** that label before using the machine again. Contact Grizzly at (800) 523-4777 or [www.grizzly.com](http://www.grizzly.com) to order new labels.

