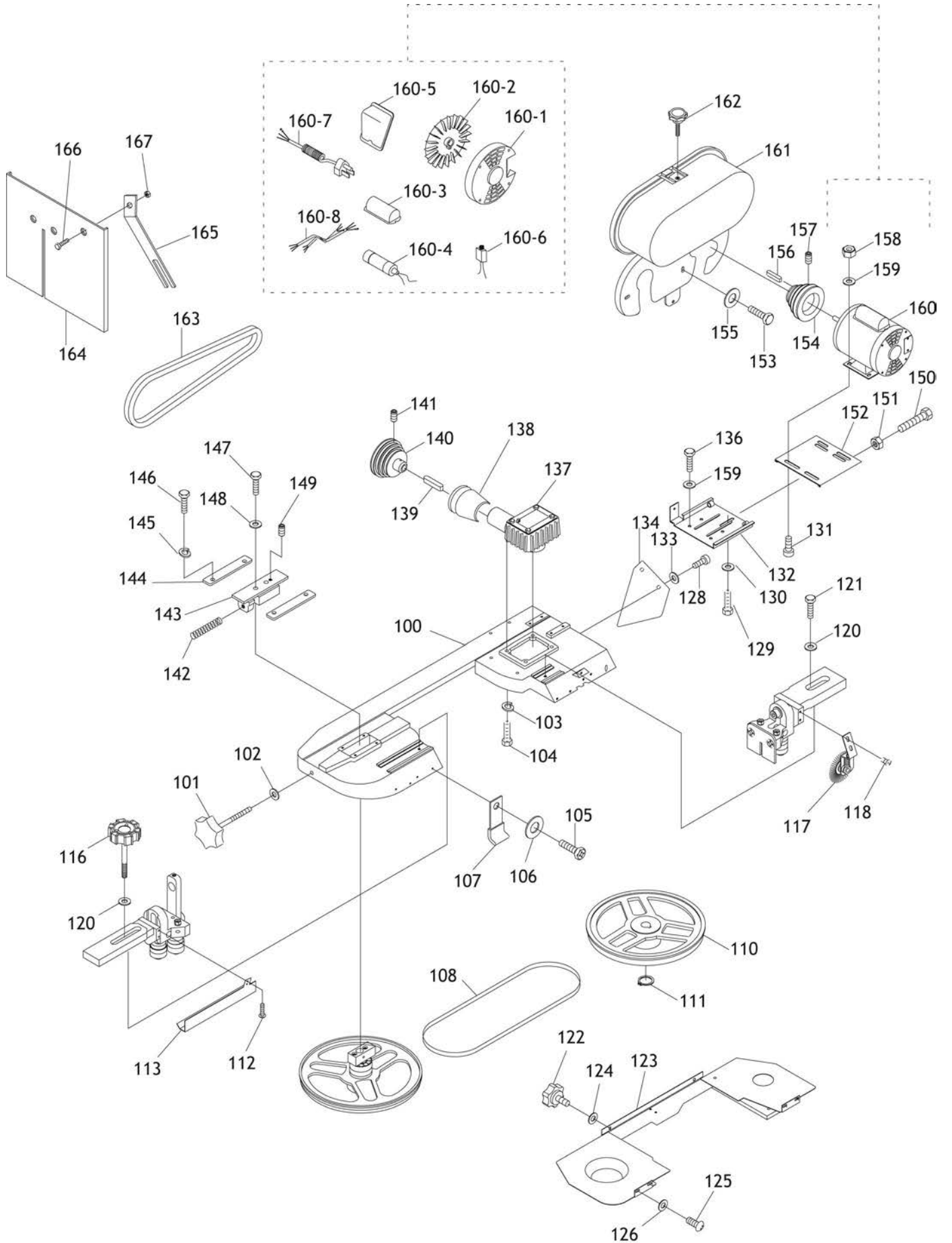


Parts List

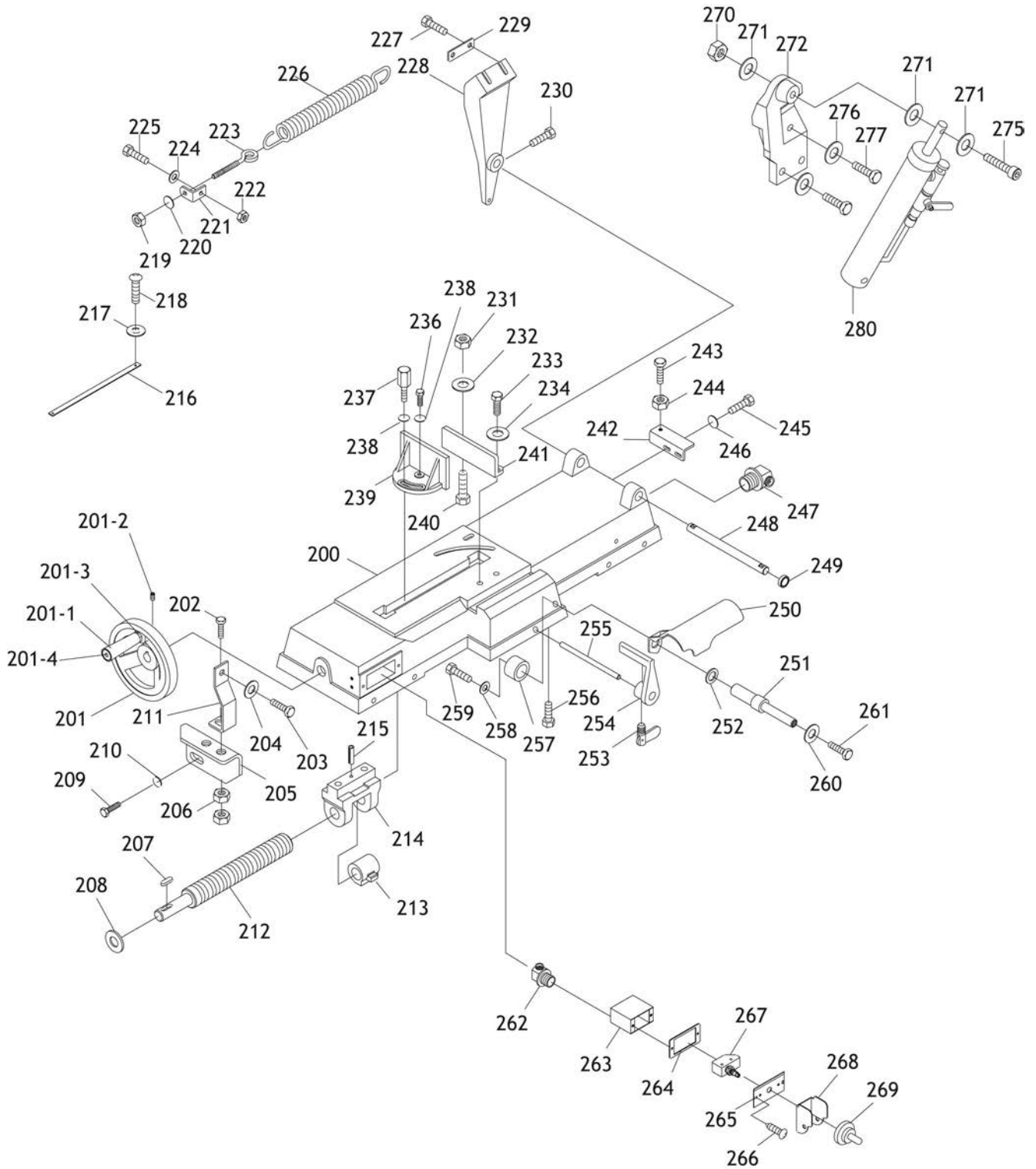
REF	PART #	DESCRIPTION
1	XM1014001	GEAR BOX
2	XM1014002	BEARING COVER
3	XPK07M	KEY 6 X 6 X 20MM
4	XM1014004	SHAFT
5	XM1014005	WORM GEAR SHAFT ASSEMBLY
6	XPS06	PHLP HD SCR #10-24 X 3/8"
7	XP6205	BALL BEARING 6205
9	XM1014009	PINION GEAR
10	XPK07M	KEY 6 X 6 X 20MM
11	XM1014011	GEAR BOX GASKET
12	XM1014012	GEAR BOX COVER
13	XM1014013	VENT PLUG
14	XPS04	PHLP HD SCR 1/4"-20 X 1/2"
15	XPR18M	EXT RETAINING RING 17MM
16	XPSS08	SET SCREW 5/16"-18 X 1/2"
17	XPK12M	KEY 5 X 5 X 30MM
18	XP6003	BALL BEARING 6003ZZ
19	XM1014019	BEARING BUSHING
20	XM1014020	WORM SHAFT
21	XM1014021	PUMP
21-1	XM1014021-1	S. CAPACITOR 4MFD/300VAC
22	XPW06	FLAT WASHER 1/4"
23	XPS04	PHLP HD SCR 1/4"-20 X 1/2"
24	XM1014024	COUPLER 3/8" X 5/16"
25	XM1014025	HOSE 5/8" X 200MM
26	XM1014026	HOSE OD12 X ID8 X 2000
27	XPS06	PHLP HD SCR #10-24 X 3/8"
28	XM1014028	FITTING 1/8"PT X 5/16"D X 90°
29	XM1014029	HOSE CLIP 5/8"
30	XM1014030	COOLANT TANK

REF	PART #	DESCRIPTION
32	XM1014032	STRAIN RELIEF 1/2"
33	XM1014033	ELECTRICAL BOX
34	XM1014034	STAND COMPLETE ASSEMBLY
35	XM1014035	FILTER
36	XPN08	HEX NUT 3/8"-16
37	XPW07	FLAT WASHER 5/16"
38	XPB03	HEX BOLT 5/16"-18 X 1"
39	XPB24	HEX BOLT 3/8"-16 X 1-1/4"
40	XM1014040	SWITCH CUT OFF TIP
41	XM1014041	HANDLE
42	XPHTEK6	TAP SCREW #10 X 3/8"
43	XM1014043	TOGGLE SWITCH COVER
44	XM1014044	SWITCH COVER
45	XM1014045	COVER
46	XM1014046	SWITCH
47	XM1014047	WHEEL
48	XM1014048	COTTER PIN 3 X 25MM
49	XM1014049	AXLE
50	XPB24	HEX BOLT 3/8"-16 X 1-1/4"
51	XPW02	LOCK WASHER 3/8"
52	XPN08	HEX NUT 3/8"-16
53	XM1014053	BUSHING
54	XM1014054	BUSHING
55	XPR11M	EXT RETAINING RING 25MM
56	XM1014056	METAL FOOT
57	XPN08	HEX NUT 3/8"-16
58	XPW02	FLAT WASHER 3/8"
59	XM1014059	HIGH/LOW LABEL
60	XM1014060	OIL SEAL 25 X 10 X 2
61	XM1014061	BALL VALVE



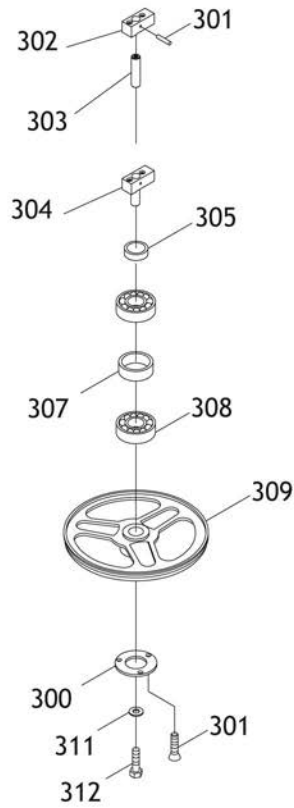
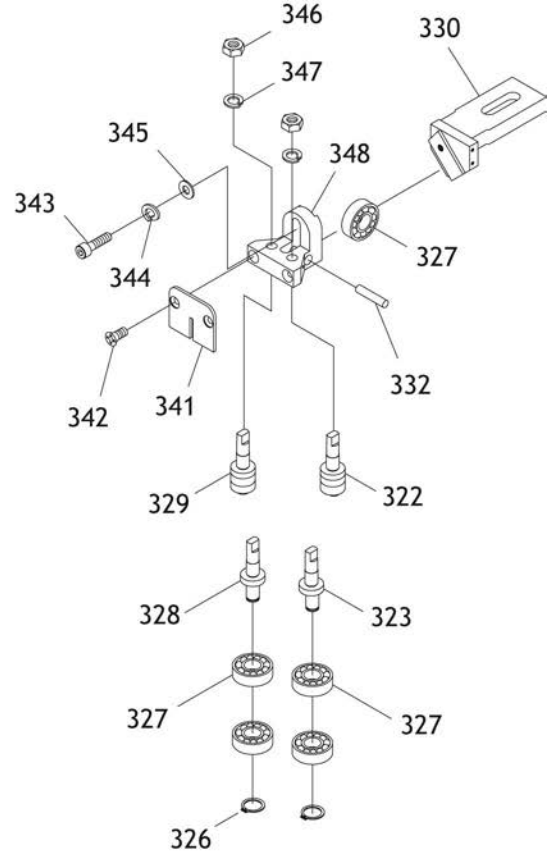
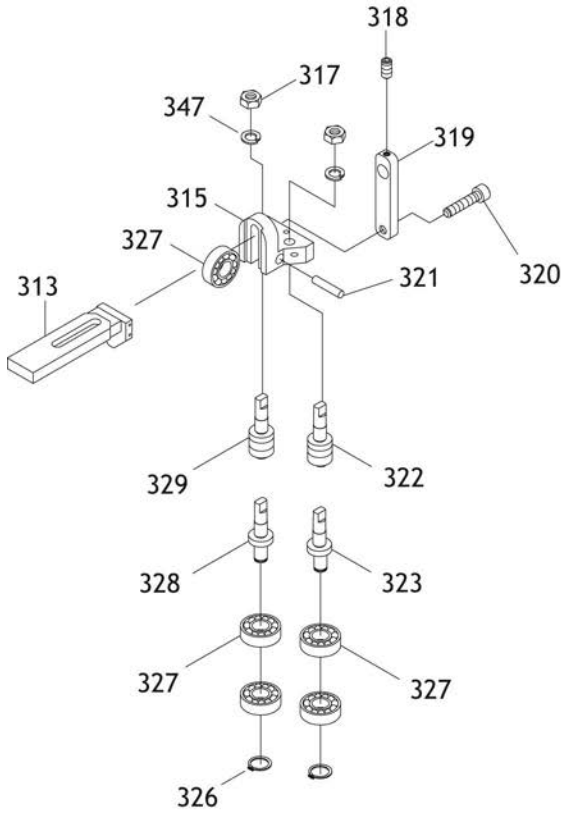
Parts List

REF	PART #	DESCRIPTION	REF	PART #	DESCRIPTION
100	XM1014100	BODY FRAME	141	XPSS03	SET SCREW 1/4"-20 X 3/8"
101	XM1014101	KNOB BOLT	142	XM1014142	COMPRESSION SPRING
102	XPW02	FLAT WASHER 3/8"	143	XM1014143	BLADE TENSION SLIDING BLOCK
103	XPLW04	LOCK WASHER 3/8"	144	XM1014144	SLIDING PLATE
104	XPB24	HEX BOLT 3/8"-16 X 1-1/4"	145	XPLW01	LOCK WASHER 5/16"
105	XPS04	PHLP HD SCR 1/4"-20 X 1/2"	146	XPB07	HEX BOLT 5/16"-18 x 3/4"
106	XPW06	FLAT WASHER 1/4"	147	XPB11	HEX BOLT 5/16"-18 X 1-1/2"
107	XM1014107	SWITCH CUT OFF TIP	148	XPW07	FLAT WASHER 5/16"
108	XM1014108	BLADE 0.032 X 3/4 X 93 X 6-10T	149	XPSS18	SET SCREW 5/16"-18 X 3/4"
110	XM1014110	DRIVE WHEEL ASSEMBLY	150	XPB06	HEX BOLT 5/16"-18 X 2"
111	XPR11M	EXT RETAINING RING 25MM	151	XPNO2	HEX NUT 5/16"-18
112	XPS01	PHLP HD SCR 10-24 X 1/2"	152	XM1014152	MOTOR MOUNT PLATE
113	XM1014113	BLADE COVER (FRONT)	153	XPB19	HEX BOLT 1/4"-20 X 1/2"
116	XM1014116	KNOB BOLT	154	XM1014154	MOTOR PULLEY
117	XM1014117	BRUSH ASSEMBLY	155	XPW06	FLAT WASHER 1/4"
118	XPS06	PHLP HD SCR 10-24 X 3/8"	156	XPK12M	KEY 5 X 5 X 30MM
120	XPW02	FLAT WASHER 3/8"	157	XPSS03	SET SCREW 1/4"-20 X 3/8"
121	XPB24	HEX BOLT 3/8"-16 X 1-1/4"	158	XPNO2	HEX NUT 5/16"-18
122	XM1014122	KNOB BOLT	159	XPW07	FLAT WASHER 5/16"
123	XM1014123	BLADE BACK COVER	160	XM1014160	MOTOR
124	XPW06	FLAT WASHER 1/4"	160-1	XM1014160-1	MOTOR FAN COVER
125	XPS04	PHLP HD SCR 1/4"-20 X 1/2"	160-2	XM1014160-2	MOTOR FAN
126	XPW06	FLAT WASHER 1/4"	160-3	XM1014160-3	CAPACITOR COVER
128	XPS04	PHLP HD SCR 1/4"-20 X 1/2"	160-4	XM1014160-4	S. CAPACITOR 150MFD/250VAC
129	XPB07	HEX BOLT 5/16"-18 x 3/4"	160-5	XM1014160-5	ELECTRICAL BOX COVER
130	XPW07	FLAT WASHER 5/16"	160-6	XM1014160-6	13 AMP CIRCUIT BREAKER
131	XPCB11	CARRIAGE BOLT 5/16"-18 X 1"	160-7	XM1014160-7	POWER CORD
132	XM1014132	MOTOR MOUNT BRACKET	160-8	XM1014160-8	COMPLETE WIRING HARNESS
133	XPW06	FLAT WASHER 1/4"	161	XM1014161	MOTOR PULLEY COVER
134	XM1014134	SUPPORT PLATE	162	XM1014162	KNOB BOLT 1/4"-20 X 5/8"
136	XPB07	HEX BOLT 5/16"-18 x 3/4"	163	XPVM27	V-BELT M-27 3L270
137	XM1014137	GEAR BOX ASSEMBLY	164	XM1014164	VERTICAL SAW TABLE
138	XM1014138	BEARING COVER	165	XM1014165	TABLE SUPPORT
139	XPK12M	KEY 5 X 5 X 30MM	166	XPFH19	FLAT HD SCR 1/4"-20 X 3/8"
140	XM1014140	SPINDLE PULLEY	167	XPNO5	HEX NUT 1/4"-20



Parts List

REF	PART #	DESCRIPTION	REF	PART #	DESCRIPTION
200	XM1014200	BASE	237	XM1014237	SPECIAL BOLT 3/8"-18 X 1-1/2"
201	XM1014201	WHEEL	238	XPW02	FLAT WASHER 3/8"
201-1	XM1014201-1	WHEEL HANDLE	239	XM1014239	WISE JAW BRACKET (FRONT)
201-2	XPSS17	SET SCREW 5/16"-18 X 5/16"	240	XPB72	HEX BOLT 1/2"-13 X 2"
201-3	XPN08	HEX NUT 3/8"-16"	241	XM1014241	WISE JAW BRACKET (REAR)
201-4	XM1014201-4	SPECIAL CAP SCREW	242	XM1014242	SUPPORT PLATE
202	XPB25	HEX BOLT 3/8"-16 X 1-3/4"	243	XPB25	HEX BOLT 3/8"-16 X 1-3/4"
203	XPB11	HEX BOLT 5/16"-18 X 1-1/2"	244	XPN08	HEX NUT 3/8"-16
204	XPW06	FLAT WASHER 1/4"	245	XPB07	HEX BOLT 5/16"-18 x 3/4"
205	XM1014205	SUPPORT PLATE	246	XPW07	FLAT WASHER 5/16"
206	XPN08	HEX NUT 3/8"-16	247	XM1014247	STRAIN RELIEF 5/8"
207	XPK20M	KEY 5 X 5 X 15MM	248	XM1014248	SUPPORT ROD
208	XPW01	FLAT WASHER 1/2"	249	XM1014249	BUSHING
209	XPB07	HEX BOLT 5/16"-18 x 3/4"	250	XM1014250	CYLINDER PROTECTOR
210	XPW07	FLAT WASHER 5/16"	251	XM1014251	CYLINDER LOWER SUPPORT
211	XM1014211	FIXED PLATE	252	XM1014252	SPACER WASHER
212	XM1014212	ACME SCREW	253	XM1014253	TAB SCREW 5/16"-18 X 1/2"
213	XM1014213	ACME NUT ASSY	254	XM1014254	STOP BLOCK
214	XM1014214	BRACKET	255	XM1014255	STOCK STOP ROD
215	XM1014215	PIN 5 X 34MM	256	XPB07	HEX BOLT 5/16"-18 x 3/4"
216	XM1014216	SCALE	257	XM1014257	BUSHING
217	XPW03	FLAT WASHER #10	258	XPW07	FLAT WASHER 5/16"
218	XPS06	PHLP HD SCR #10-24 X 3/8"	259	XPB07	HEX BOLT 5/16"-18 x 3/4"
219	XPN08	HEX NUT 3/8"-16	260	XPW07	FLAT WASHER 5/16"
220	XPW02	FLAT WASHER 3/8"	261	XPB09	HEX BOLT 5/16"-18 X 1/2"
221	XM1014221	SPRING HANDLE BRACKET	262	XM1014262	STRAIN RELIEF 1/2"
222	XPN02	HEX NUT 5/16"-18	263	XM1014263	SWITCH BOX
223	XM1014223	SPRING ADJUSTING ROD	264	XM1014264	RUBBER GASKET
224	XPW07	FLAT WASHER 5/16"	265	XM1014265	MOUNTING PLATE
225	XPB07	HEX BOLT 5/16"-18 x 3/4"	266	XPHTEK4	#10-24 X 3/8"
226	XM1014226	EXTENSION SPRING	267	XM1014267	TOGGLE SWITCH
227	XPB16	HEX BOLT 3/8"-16 X 1-1/2"	268	XM1014268	SWITCH COVER
228	XM1014228	PIVOT BRACKET	269	XM1014269	TOGGLE SWITCH COVER
229	XM1014229	SPACER PLATE	270	XPN08	HEX NUT 3/8"-16
230	XPS35	PHLP HD SCREW 5/16"-18 X 3/4"	271	XPW02	FLAT WASHER 3/8"
231	XPN06	HEX NUT 1/2"-12	272	XM1014272	CYLINDER UPPER SUPPORT
232	XPW01	FLAT WASHER 1/2"	275	XPSB29	CAP SCREW 3/8"-16 X 2-1/4"
233	XPB42	HEX BOLT 1/2"-12 X 2"	276	XPW07	FLAT WASHER 5/16"
234	XPW01	FLAT WASHER 1/2	277	XPB03	HEX BOLT 5/16"-18 X 1"
236	XPB16	HEX BOLT 3/8"-16 X 1-1/2"	280	XM1014280	CYLINDER SET



Parts List

REF	PART #	DESCRIPTION
300	XM1014300	RETAINER
301	XM1014301	ROLL PIN 4 X 22MM
302	XM1014302	HOUSING
303	XM1014303	AXLE
304	XM1014304	AXLE ASSEMBLY
305	XM1014305	SPACER
307	XM1014307	SPACER
308	XP6202	BEARING 6202-ZZ
309	XM1014309	WHEEL
310	XPFH01	FLAT HD SCR #10-24 X 3/8"
311	XM1014311	LOCK WASHER 5/16"
312	XPB07	HEX BOLT 5/16"-18 X 3/4"
313	XM1014313	GUIDE SLIDE
315	XM1014315	GUIDE CASTING
317	XPN11	HEX NUT 3/8"-24
318	XPSS03	SET SCREW 1/4"-20"X 3/8"
319	XM1014319	EXTENSION
320	XPSB11	CAP SCREW 5/16"-18 X 1-1/4"

REF	PART #	DESCRIPTION
321	XM1014321	ROLL PIN 10 X 42MM
322	XM1014322	ECCENTRIC SET
323	XM1014323	ECCENTRIC ONLY
326	XPR39M	EXTERNAL RETAINING RING 8MM
327	XP6000	BALL BEARING 6000ZZ
328	XM1014328	ECCENTRIC ONLY
329	XM1014329	ECCENTRIC SET
330	XM1014330	GUIDE CASTING
332	XM1014332	ROLL PIN 10 X 42MM
341	XM1014341	STOP PLATE
342	XPFH03	FLAT HD SCR 1/4"-20 X 1/2"
343	XPSB11	CAP SCREW 5/16"-18 X 1-1/4"
344	XPLW01	LOCK WASHER 5/16"
345	XPW07	FLAT WASHER 5/16"
346	XPN11	HEX NUT 3/8"-24
347	XPLW04	LOCK WASHER 3/8"
348	XM1014348	GUIDE HOUSING