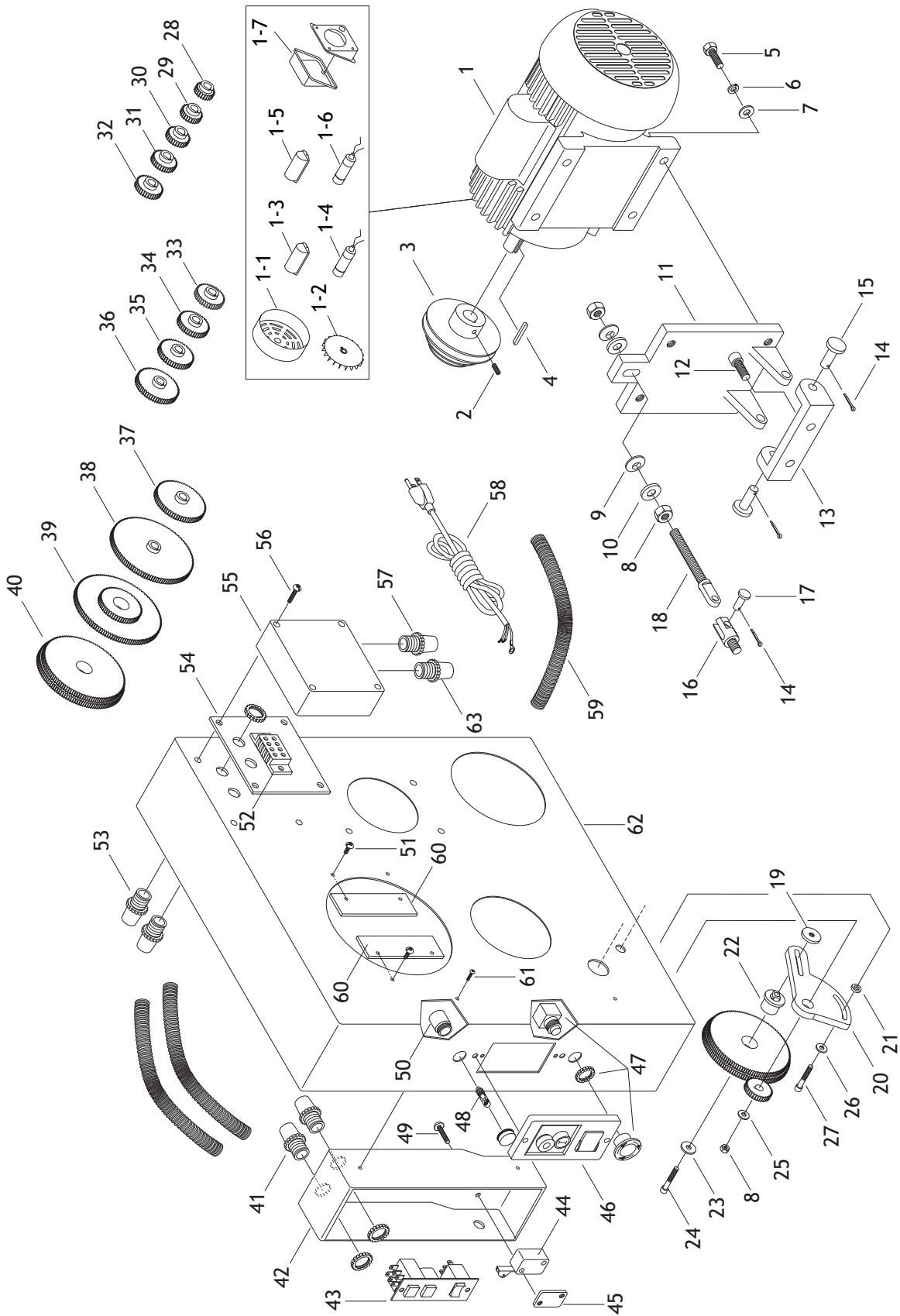
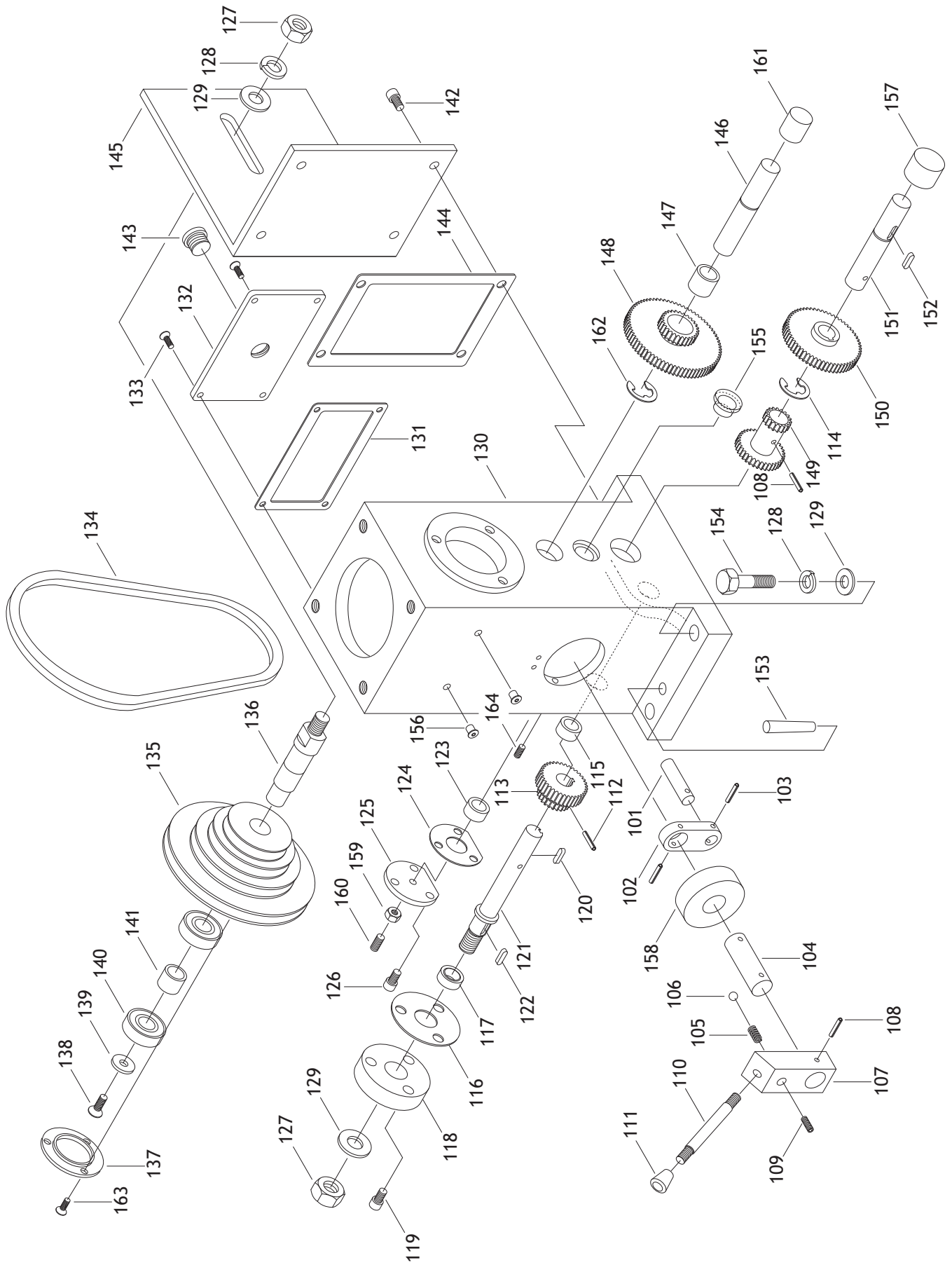


PARTS



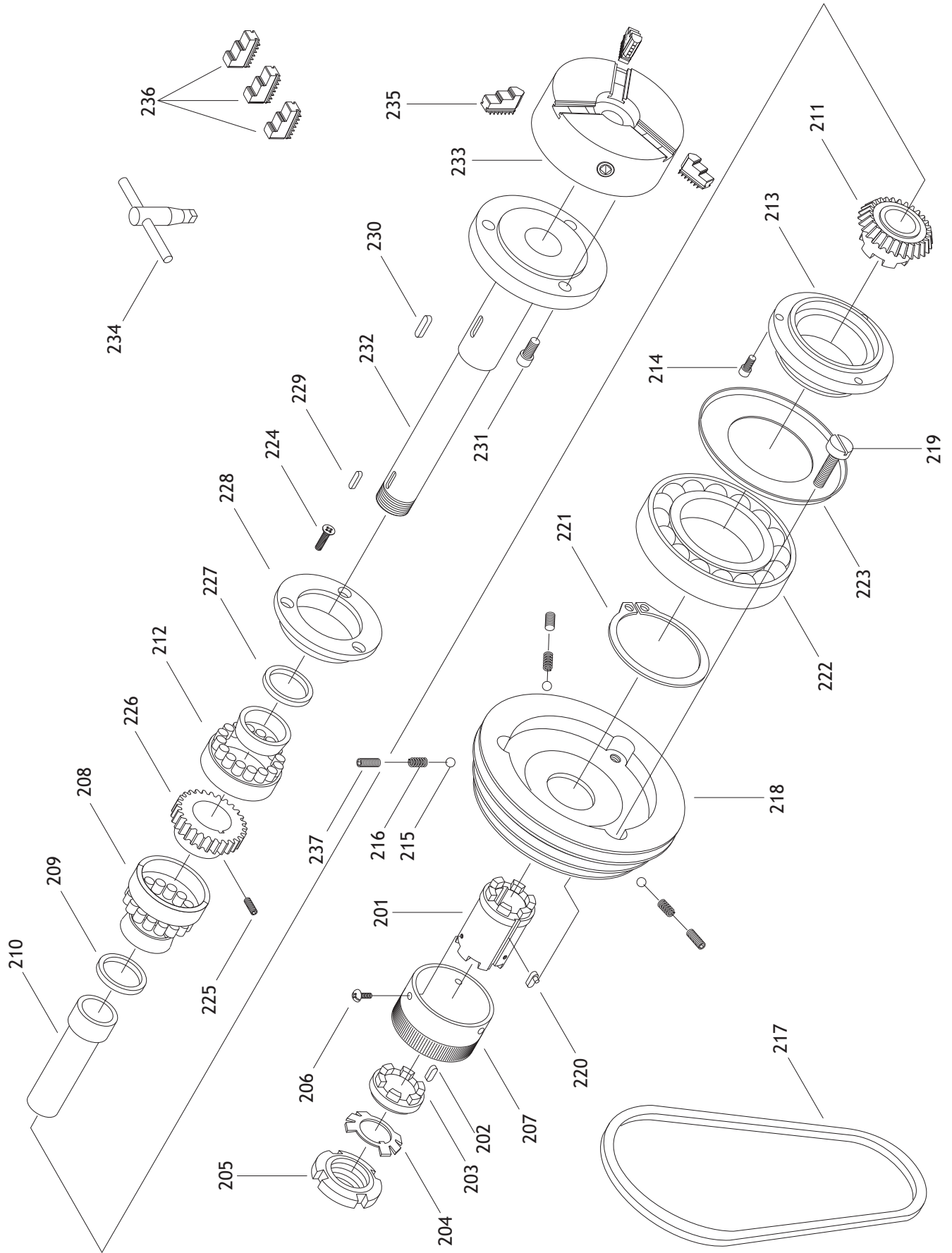
Ref	Part #	Description
1	XM1018001	MOTOR
1-1	XM1018001-1	MOTOR FAN COVER
1-2	XM1018001-2	MOTOR FAN
1-3	XM1018001-3	CAPACITOR COVER
1-4	XPC035A	CAPACITOR 35MFD 250VAC
1-5	XM1018001-5	CAPACITOR COVER
1-6	XPC250	CAPACITOR 250MFD 125VAC
1-7	XM1018001-7	WIRING BOX
2	XPSS20M	SET SCREW M8-1.25 X 8
3	XM1018003	PULLEY
4	XPK23M	KEY 5 X 5 X 25
5	XPB07M	HEX BOLT M8-1.25 X 25
6	XPLW04M	LOCK WASHER 8MM
7	XPW01M	FLAT WASHER 8MM
8	XPN02M	HEX NUT M10-1.5
9	XM1018009	BALL FACE WASHER
10	XM1018010	CONE FACE WASHER
11	XM1018011	MOTOR PEDESTAL
12	XPSB11M	CAP SCREW M8-1.25 X 16
13	XM1018013	MOTOR BRACKET
14	XM1018014	COTTER PIN 3 X 16
15	XM1018015	CLEVIS PIN
16	XM1018016	MOVABLE JOINT
17	XM1018017	CLEVIS PIN
18	XM1018018	SPECIAL BOLT
19	XM1018019	T-KEY
20	XM1018020	GEAR BRACKET
21	XPW04M	FLAT WASHER 10MM
22	XM1018022	T-COLLAR
23	XPW03M	FLAT WASHER 6MM
24	XPSB29M	CAP SCREW M6-1 X 40
25	XPW04M	FLAT WASHER 10MM
26	XPW03M	FLAT WASHER 6MM
27	XPSB07M	CAP SCREW M6-1 X 30
28	XM1018028	CHANGE GEAR 24T

Ref	Part #	Description
29	XM1018029	CHANGE GEAR 25T
30	XM1018030	CHANGE GEAR 27T
31	XM1018031	CHANGE GEAR 30T
32	XM1018032	CHANGE GEAR 33T
33	XM1018033	CHANGE GEAR 36T
34	XM1018034	CHANGE GEAR 42T
35	XM1018035	CHANGE GEAR 48T
36	XM1018036	CHANGE GEAR 60T
37	XM1018037	CHANGE GEAR 75T
38	XM1018038	CHANGE GEAR 120T
39	XM1018039	DUPLEX GEAR 60/120T
40	XM1018040	DUPLEX GEAR 120/127T
41	XM1018041	STRAIN RELIEF 15MM
42	XM1018042	PLASTIC HOUSING
43	XM1018043	SWITCH ASSEMBLY
44	XM1018044	SAFETY SWITCH
45	XM1018045	SPACER
46	XM1018046	SWITCH COVER
47	XM1018047	STOP/RESET SWITCH
48	XM1018048	INDICATOR LIGHT
49	XPS25M	PHLP HD SCR M4-.7 X 35
50	XM1018050	LIGHT HOLDER
51	XPS07M	PHLP HD SCR M4-.7 X 8
52	XM1018052	CONNECTION BUS
53	XM1018041	STRAIN RELIEF 15MM
54	XM1018054	MOUNTING BRACKET
55	XM1018055	COVER
56	XPS51M	PHLP HD SCR M4-.7 X 30
57	XM1018057	STRAIN RELIEF 10MM
58	XPWRCRD110L	POWER CORD 110V LONG
59	XM1018059	FLEXIBLE CONDUIT
60	XM1018060	GUARD PLATE
61	XPHTEK5M	TAP SCREW M4 X 12
62	XM1018062	HEADSTOCK BOX
63	XM1018063	STRAIN RELIEF 13MM



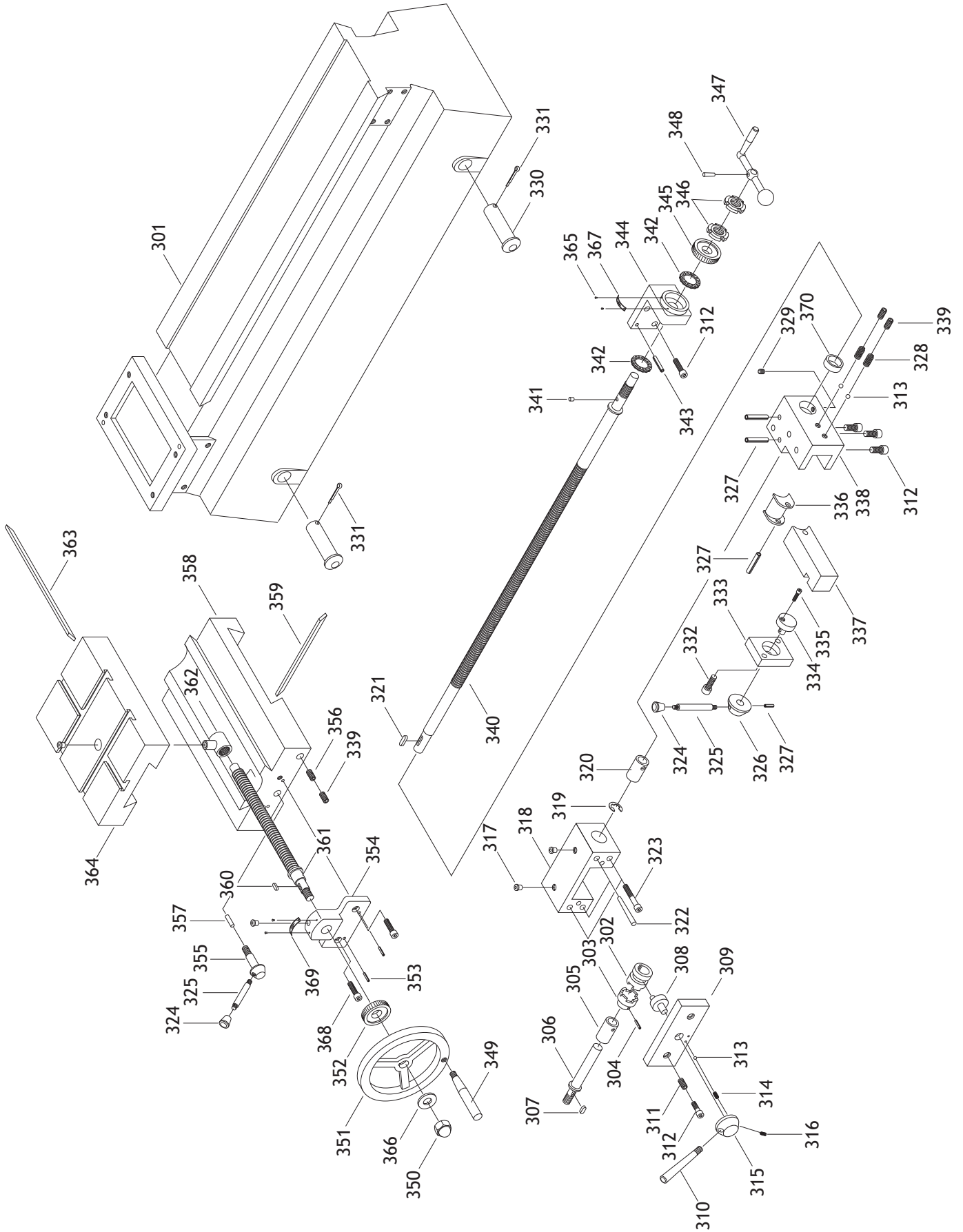
Ref	Part #	Description
101	XM1018101	PIN 8 X 30
102	XM1018102	LINK BOARD
103	XPRP03M	ROLL PIN 5 X 20
104	XM1018104	PIN 12 X 40
105	XM1018105	COMPRESSION SPRING
106	XM1018106	STEEL BALL 5MM
107	XM1018107	LEVER BASE
108	XPRP03M	ROLL PIN 5 X 20
109	XPSS14M	SETSCREW M8-1.25 X 12
110	XM1018110	LEVER
111	XM1018111	HANDLE KNOB M10-1.5
112	XPRP44M	ROLL PIN 3 X 10
113	XM1018113	KEYED DUPLEX GEAR
114	XPR03M	EXT RETAINING RING 12MM
115	XM1018115	SLEEVE
116	XM1018116	OIL SEAL BOARD GASKET
117	XM1018117	OIL SEAL
118	XM1018118	OIL SEAL BOARD
119	XPSB15M	CAP SCREW M5-.8 X 20
120	XPK34M	KEY 5 X 5 X 20
121	XM1018121	SHAFT
122	XPK05M	KEY 4 X 4 X 10
123	XM1018123	SLEEVE
124	XM1018124	ROUND COVER GASKET
125	XM1018125	ROUND COVER
126	XPSB50M	CAP SCREW M5-.8 X 10
127	XPN08M	HEX NUT M10-1.25
128	XPLW06M	LOCK WASHER 10MM
129	XPW04M	FLAT WASHER 10MM
130	XM1018130	HOUSING
131	XM1018131	SEAL RING
132	XM1018132	COVER

Ref	Part #	Description
133	XPFH30M	FLAT HD SCR M5-.8 X 8
134	XPVM29	V-BELT 3L290
135	XM1018135	PULLEY
136	XM1018136	SHAFT
137	XM1018137	COVER
138	XPS07M	PHLP HD SCR M4-.7 X 8
139	XPW05M	FLAT WASHER 4MM
140	XM1018140	BEARING 1000900
141	XM1018141	COLLAR
142	XPSB26M	CAP SCREW M6-1 X 12
143	XM1018143	OIL FILL PLUG
144	XM1018144	PULLEY BRACKET GASKET
145	XM1018145	PULLEY BRACKET
146	XM1018146	SHAFT
147	XM1018147	SLEEVE
148	XM1018148	DUPLEX GEAR
149	XM1018149	PINNED DUPLEX GEAR
150	XM1018150	KEYED GEAR
151	XM1018151	SHAFT
152	XPK19M	KEY 5 X 5 X 14
153	XM1018153	PIN
154	XPB31M	HEX BOLT M10-1.75 X 40
155	XM1018155	SIGHT GLASS
156	XM1018156	OILER 6MM
157	XM1018157	END BUSHING
158	XM1018158	SHIFT BRACKET
159	XPN06M	HEX NUT M5-.8
160	XPSS05M	SET SCREW M5-.8 X 10
161	XM1018161	END BUSHING
162	XPEC12M	E-CLIP 12MM
163	XPFH07M	FLAT HD SCR M5-.8 X 10
164	XM1018164	SPECIAL SCREW M5-.8 x 18



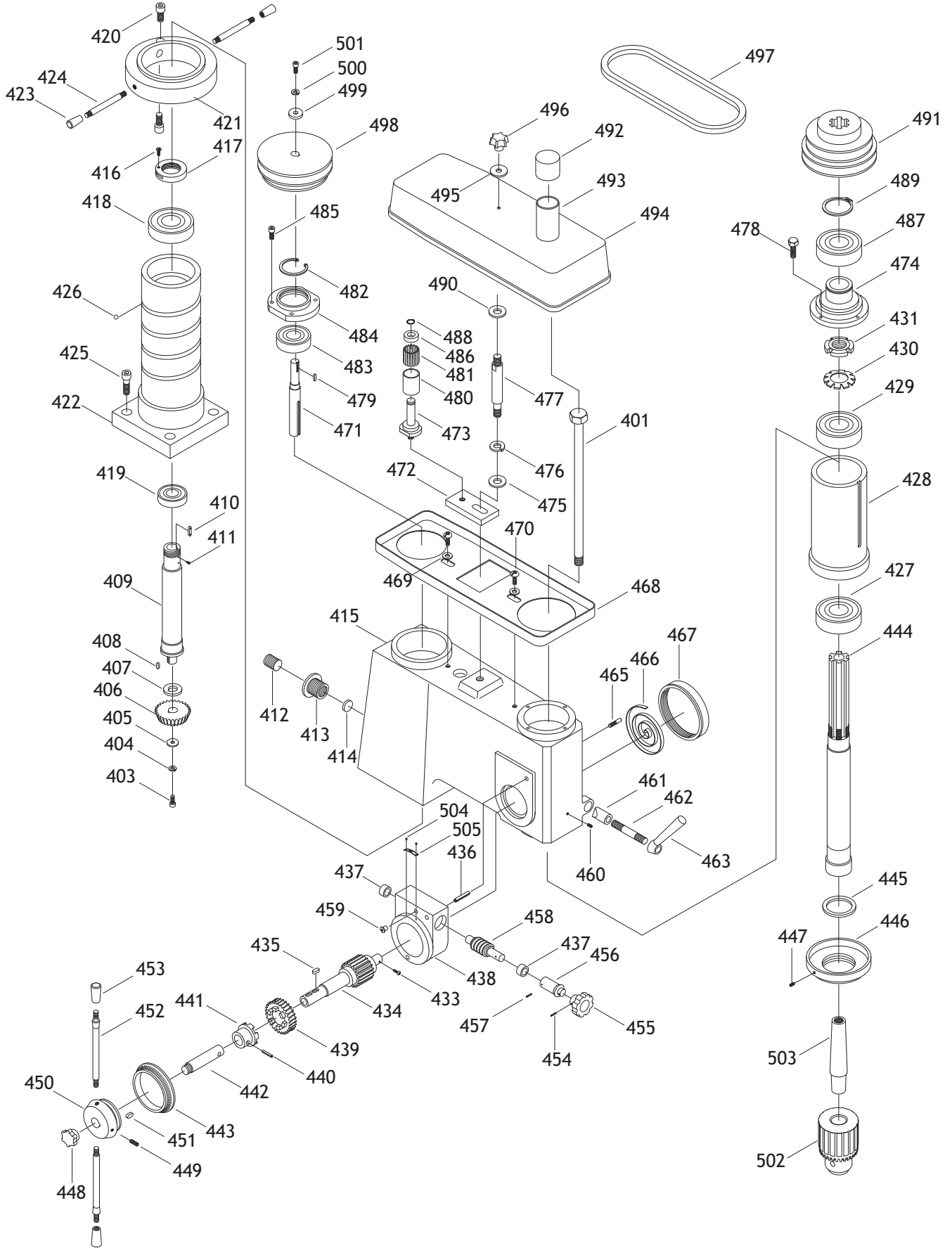
Ref	Part #	Description
201	XM1018201	CLUTCH
202	XPK70M	KEY 8 X 8 X 12
203	XM1018203	CLUTCH END
204	XM1018204	TAB WASHER 30MM
205	XM1018205	SPANNER NUT 30MM
206	XPS19M	PHLP HD SCR M5-.8 X 6
207	XM1018207	ENGAGEMENT HUB
208	XM1018208	BEARING D2007107
209	XM1018209	BUSHING
210	XM1018210	SLEEVE
211	XM1018211	BEVEL GEAR
212	XM1018212	BEARING D2007107
213	XM1018213	BEARING PEDESTAL
214	XPSB95M	CAP SCREW M5-.8 X 30
215	XM1018106	STEEL BALL M5
216	XM1018105	COMPRESSION SPRING
217	XPVM26	V-BELT 3L260
218	XM1018218	PULLEY
219	XPSB68M	CAP SCREW M6-1 X 8

Ref	Part #	Description
220	XM1018220	T-KEY
221	XPR13M	EXT RETAINING RING 65MM
222	XP6013	BALL BEARING 6013
223	XM1018223	BEARING PEDESTAL
224	XPS07M	PHLP HD SCREW M4-.7 X 8
225	XPSS05M	SET SCREW M5-.8 X 10
226	XM1018226	SPINDLE GEAR
227	XM1018227	SEAL WASHER
228	XM1018228	BEARING WASHER
229	XPK70M	KEY 8 X 8 X 12
230	XPK91M	KEY 8 X 8 X 22
231	XPSB26M	CAP SCREW M6-1 X 12
232	XM1018232	SPINDLE
233	XM1018233	3-JAW CHUCK
234	XM1018234	CHUCK KEY
235	XM1018235	INT CHUCK JAW (SET OF 3)
236	XM1018236	EXT CHUCK JAW (SET OF 3)
237	XPSS20M	SET SCREW M8-1.25 X 8



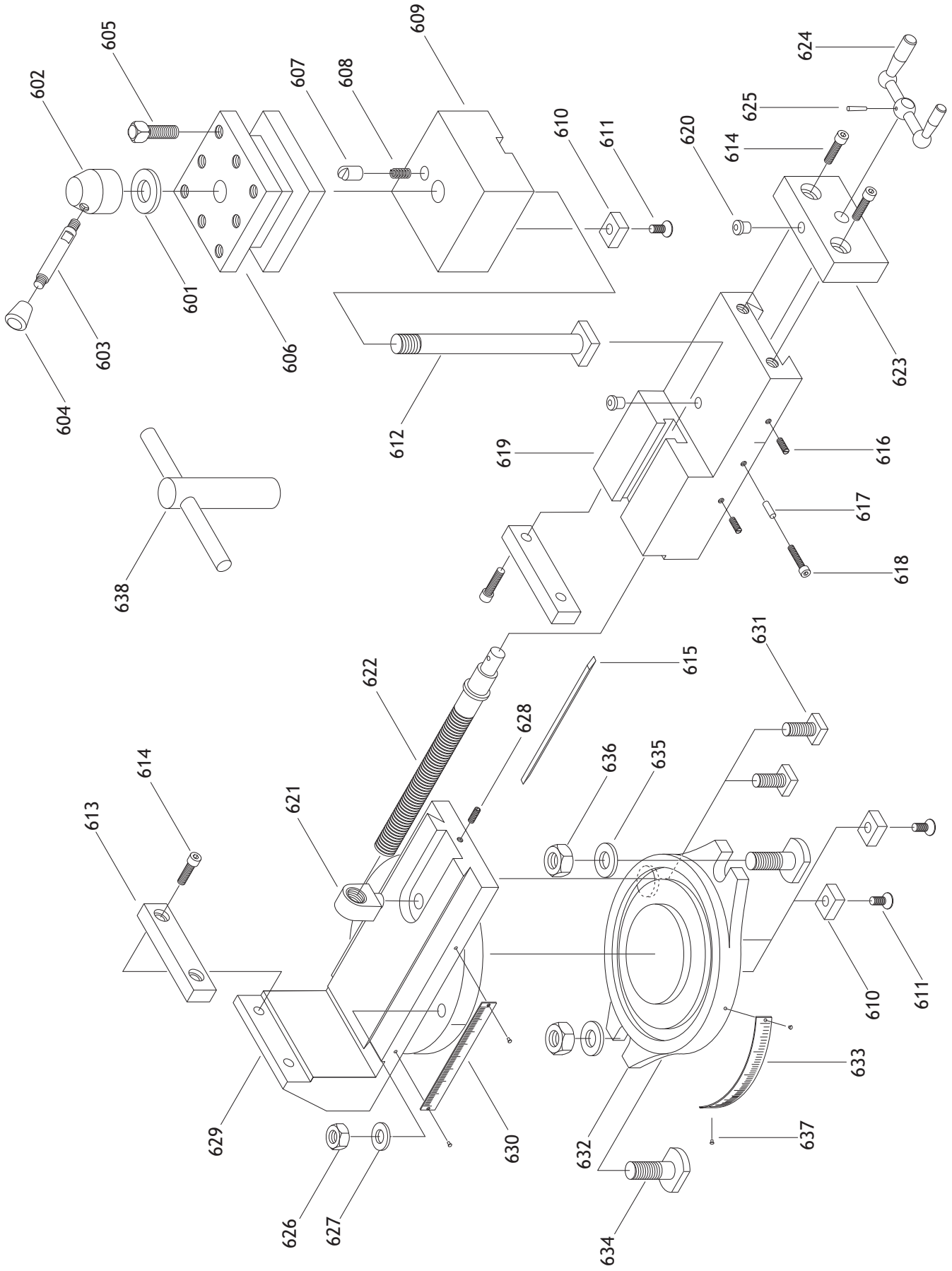
Ref	Part #	Description
301	XM1018301	BODY
302	XM1018302	CLUTCH B
303	XM1018303	CLUTCH A
304	XPRP25M	ROLL PIN 5 X 21
305	XM1018305	SLEEVE (LEFT)
306	XM1018306	SHAFT
307	XPK69M	KEY 4 X 4 X 12
308	XM1018308	ECCENTRIC PIN
309	XM1018309	COVER
310	XM1018310	LEVER
311	XPSS04M	SET SCREW M6-1 X 12
312	XPSB12M	CAP SCREW M8-1.25 X 40
313	XM1018313	STEEL BALL 6.5MM
314	XM1018314	COMPRESSION SPRING
315	XM1018315	LEVER BASE
316	XPSS11M	SET SCREW M6-1 X 16
317	XM1018317	OILER
318	XM1018318	LINK BASE
319	XPEC12M	E-CLIP 12MM
320	XM1018320	SLEEVE (RIGHT)
321	XPK10M	KEY 5 X 5 X 12
322	XM1018322	PIN
323	XPSB37M	CAP SCREW M6-1.0 X 50
324	XM1018324	HANDLE KNOB M6-1
325	XM1018325	LEVER
326	XM1018326	LEVER BASE
327	XM1018327	SPRING PIN
328	XM1018328	COMPRESSION SPRING
329	XPSS17M	SET SCREW M8-1.25 X 6
330	XM1018330	LIFTING PIN
331	XM1018331	COTTER PIN 5 X 36
332	XPSB33M	CAP SCREW M5-.8 X 12
333	XM1018333	COVER
334	XM1018334	PIN BASE
335	XM1018335	CAP SCREW

Ref	Part #	Description
336	XM1018336	HALF NUT
337	XM1018337	HALF NUT BASE
338	XM1018338	HALF NUT BRACKET
339	XPSS14M	SET SCREW M8-1.25 X 12
340	XM1018340	LONG LEAD SCREW
341	XM1018341	STEEL PIN
342	XP8103	THRUST BEARING 8103
343	XM1018343	CONE PIN
344	XM1018344	LEAD SCREW BRACKET
345	XM1018345	SCALE RING
346	XM1018346	SPANNER NUT 14MM
347	XM1018347	BALL CRANK HANDLE
348	XM1018348	TAPER PIN
349	XM1018349	HANDWHEEL HANDLE
350	XPN25M	HEX NUT ACORN M10-1.5
351	XM1018351	HANDWHEEL
352	XM1018352	SCALE RING
353	XPRP06M	ROLL PIN 5 X 24
354	XM1018354	LEAD SCREW BRACKET
355	XM1018355	HANDLE SCREW
356	XPSS16M	SET SCREW M8-1.25 X 10
357	XM1018357	LOCKING PIN
358	XM1018358	LONGITUDINAL SLIDE
359	XM1018359	GIB
360	XPK48M	KEY 4 X 4 X 20
361	XM1018361	CROSS LEAD SCREW
362	XM1018362	CROSS SLIDE NUT
363	XM1018363	GIB
364	XM1018364	CROSS SLIDE
365	XM1018365	RIVET
366	XPW04M	FLAT WASHER 10MM
367	XM1018367	INDEX PLATE
368	XPSB11M	CAP SCREW M8-1.25 X 16
369	XM1018369	INDEX PLATE
370	XM1018370	LEAD SCREW SLEEVE



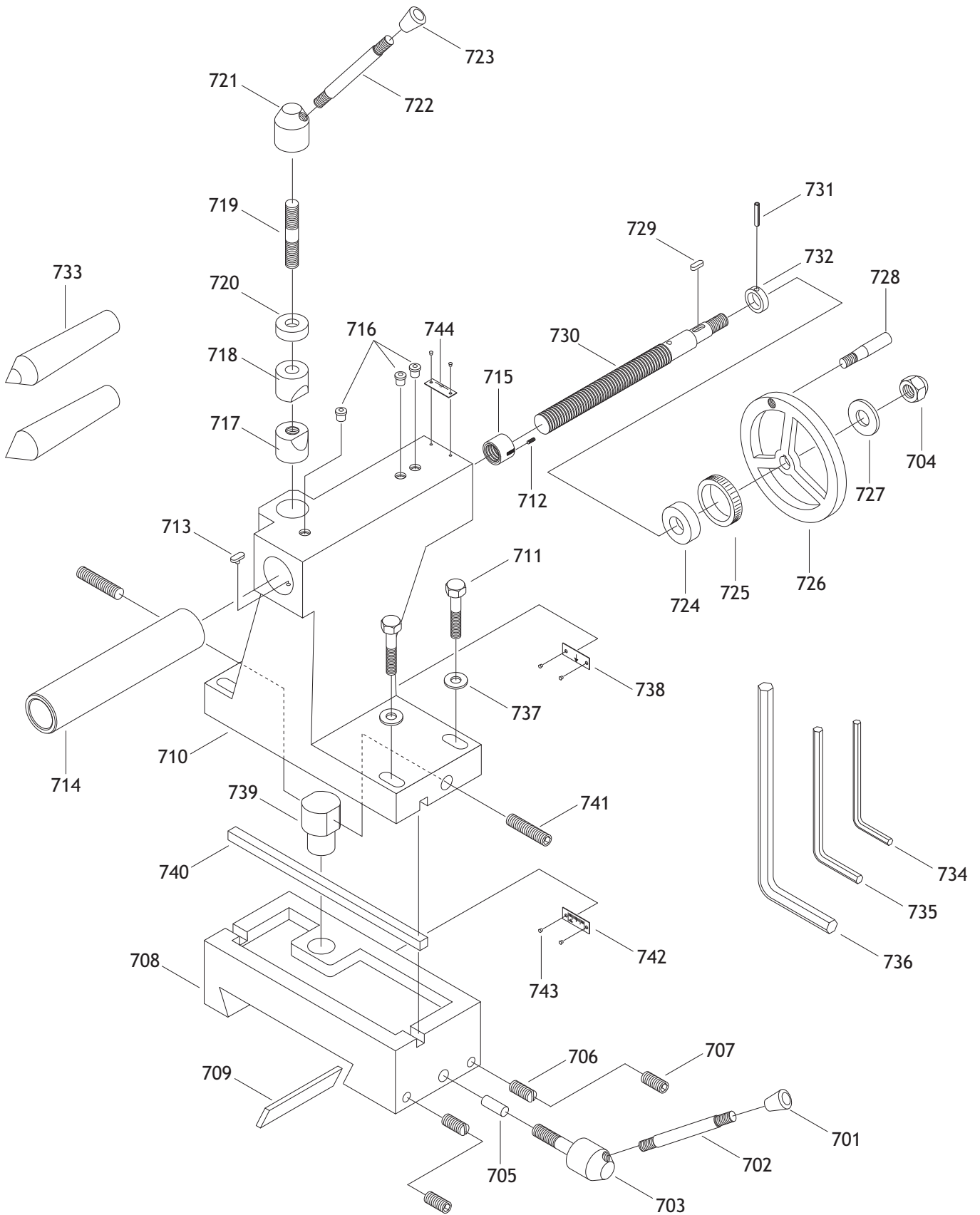
Ref	Part #	Description
401	XM1018401	DRAW BAR
403	XPSB24M	CAP SCREW M5-.8 X 16
404	XPLW01M	LOCK WASHER 5MM
405	XPW02M	FLAT WASHER 5MM
406	XM1018406	BEVEL GEAR
407	XM1018407	KEYED COMP WASHER
408	XPK101M	KEY 6 X 6 X 14
409	XM1018409	DRIVING SHAFT
410	XPK43M	KEY 8 X 8 X 45
411	XPFH07M	FLAT HD SCR M5-.8 X 10
412	XPSS65M	SET SCREW M16-2 X 20
413	XM1018413	LOCK BOLT SEAL
414	XM1018414	LOCKING PIN
415	XM1018415	DRILL/MILL HOUSING
416	XPFH07M	FLAT HD SCR M5-.8 X 10
417	XM1018417	BEARING NUT 35MM
418	XP6007	BALL BEARING 6007
419	XP6008	BALL BEARING 6008
420	XPSB04M	CAP SCREW M6-1 X 10
421	XM1018421	PLATE
422	XM1018422	ROTATION BASE
423	XM1018423	HANDLE KNOB M6-1
424	XM1018424	LEVER
425	XPSB13M	CAP SCREW M8-1.25 X 30
426	XM1018426	STEEL BALL
427	XM1018427	BEARING 2007107
428	XM1018428	HOLLOW SHAFT
429	XM1018429	BEARING 2007106
430	XM1018430	BEARING WASHER 30MM
431	XM1018431	SPANNER NUT M30-1.5
433	XPSS08M	SET SCREW M4-.7 X 5
434	XM1018434	GEAR SHAFT
435	XPK101M	KEY 6 X 6 X 14
436	XPSS03M	SET SCREW M6-1 X 8
437	XM1018437	COLLAR
438	XM1018438	FEED BOX HOUSING
439	XM1018439	WORM GEAR
440	XPRP27M	ROLL PIN 5 X 28
441	XM1018441	CLUTCH
442	XM1018442	PIN
443	XM1018443	SCALE RING
444	XM1018444	DRILL/MILL SHAFT
445	XM1018445	SEAL
446	XM1018446	DRILL/MILL SHAFT COVER
447	XPSS05M	SET SCREW M5-.8 X 10
448	XM1018448	ROUND KNOB M10-1.5
449	XPSS58M	SET SCREW M6-1 X 18
450	XM1018450	COLLAR
451	XM1018451	LEAF SPRING
452	XM1018452	LEVER
453	XM1018453	HANDLE KNOB M8-1.25

Ref	Part #	Description
454	XPRP16M	ROLL PIN 3 X 25
455	XM1018455	STAR KNOB 12MM PINNED
456	XM1018456	LEVER
457	XM1018457	PIN
458	XM1018458	WORM SHAFT
459	XM1018459	OILER
460	XPSS06M	SET SCREW M8-1.25 X 16
461	XM1018461	COMP WASHER
462	XM1018462	STUD
463	XM1018463	LOCK LEVER
465	XPSS24M	SET SCREW M5-.8 X 25
466	XM1018466	FLAT COILED SPRING
467	XM1018467	SPRING HOUSING COVER
468	XM1018468	PULLEY SHELL (BOTTOM)
469	XPW01M	FLAT WASHER 8MM
470	XPS76M	PHLP HD SCR M8-1.25 X 12
471	XM1018471	SHAFT
472	XM1018472	TIGHTENER BOARD
473	XM1018473	TIGHTENER SHAFT
474	XM1018474	PULLEY BRACKET
475	XPW01M	FLAT WASHER 8MM
476	XPLW04M	LOCK WASHER 8MM
477	XM1018477	SHELL BOLT
478	XPB16M	HEX BOLT M5-.8 X 24
479	XPK23M	KEY 5 X 5 X 25
480	XM1018480	BELT TIGHTENER
481	XM1018481	ROLLER
482	XPR24M	INT RETAINING RING 42MM
483	XP6104	BALL BEARING 6104
484	XM1018484	BEARING BRACKET
485	XPSB24M	CAP SCREW M5-.8 X 16
486	XM1018486	COLLAR
487	XP6108	BALL BEARING 6108
488	XPR01M	EXT RETAINING RING 10MM
489	XPR34M	EXT RETAINING RING 40MM
490	XPW01M	FLAT WASHER 8MM
491	XM1018491	PULLEY
492	XM1018492	COVER
493	XM1018493	PIPE
494	XM1018494	PULLEY SHELL (TOP)
495	XPW01M	FLAT WASHER 8MM
496	XM1018496	STAR KNOB M8-1.25
497	XPVM29	V-BELT M-29 3L290
498	XM1018498	PULLEY
499	XPW02M	FLAT WASHER 5MM
500	XPLW01M	LOCK WASHER 5MM
501	XPSB15M	CAP SCREW M5-.8 X 20
502	XM1018502	DRILL CHUCK B-16, 1/16"-1/2"
503	XM1018503	ARBOR MT#3 X B-16
504	XM1018504	RIVET
505	XM1018505	GRADUATED DIAL SCALE



Ref	Page #	Description
601	XPW04M	FLAT WASHER 10MM
602	XM1018602	LOCKING HUB
603	XM1018603	LEVER
604	XM1018604	HANDLE KNOB M10-1.5
605	XM1018605	SQ HD BOLT M8-1.25 X 25
606	XM1018606	TOOL POST
607	XM1018607	HOLLOW SET PIN
608	XM1018608	COMPRESSION SPRING
609	XM1018609	TOOL POST BASE
610	XM1018610	BLOCK
611	XPS02M	PHLP HD SCR M4-.7 X 12
612	XM1018612	MOUNTING BOLT
613	XM1018613	WISE BLOCK
614	XPSB26M	CAP SCREW M6-1 X 12
615	XM1018615	GIB
616	XPSS24M	SET SCREW M5-.8 X 25
617	XM1018617	LOCKING PIN
618	XPSB09M	CAP SCREW M5-.8 X 17
619	XM1018619	UPSLIDE

Ref	Page #	Description
620	XM1018620	OILER
621	XM1018621	LEAD SCREW NUT
622	XM1018622	LEAD SCREW
623	XM1018623	LEAD SCREW BRACKET
624	XM1018624	HAND CRANK
625	XPRP02M	ROLL PIN 3 X 16
626	XPN03M	HEX NUT M8-1.25
627	XPW01M	FLAT WASHER 8MM
628	XPSS31M	SET SCREW M5-.8 X 8
629	XM1018629	DOWN SLIDE
630	XM1018630	SCALE
631	XM1018631	T-BOLT M8-1.25 X 25
632	XM1018632	BASE
633	XM1018633	SCALE
634	XM1018634	T-BOLT M10-1.5 X 28
635	XPW04M	FLAT WASHER 10MM
636	XPN02M	HEX NUT M10-1.5
637	XM1018637	RIVET
638	XM1018638	TOOL POST WRENCH



Ref	Page #	Description
701	XM1018701	HANDLE KNOB M6-1
702	XM1018702	LEVER
703	XM1018703	LOCK HUB
704	XPN25M	HEX NUT ACORN M10-1.5
705	XM1018705	LOCK PIN
706	XPSS06M	SET SCREW M8-1.25 X 16
707	XPSS21M	SETSCREW M8-1.25 X 25
708	XM1018708	TAILSTOCK BASE
709	XM1018709	GIB
710	XM1018710	TAILSTOCK BODY
711	XPB31M	HEX BOLT M10-1.5 X 40
712	XPSS51M	SETSCREW M4-.7 X 8
713	XM1018713	T-KEY
714	XM1018714	TAILSTOCK QUILL
715	XM1018715	FEED NUT
716	XM1018716	OIL CUP
717	XM1018717	LOCK BUSHING (BOTTOM)
718	XM1018718	LOCK BUSHING (TOP)
719	XM1018719	DOUBLE SCREW BOLT
720	XPW04M	FLAT WASHER 10MM
721	XM1018721	LOCKING HUB NUT
722	XM1018722	LOCK LEVER

Ref	Page #	Description
723	XM1018723	HANDLE KNOB M10-1.5
724	XM1018724	BRACKET
725	XM1018725	DIAL
726	XM1018726	HANDWHEEL
727	XPW04M	FLAT WASHER 10MM
728	XM1018728	HANDWHEEL HANDLE
729	XPK102M	KEY 4 X 4 X 18
730	XM1018730	FEED SCREW
731	XPRP49M	ROLL PIN 5 X 25
732	XM1018732	COLLAR
733	XM1018733	DEAD CENTER
734	XPAW04M	ALLEN WRENCH 4MM
735	XPAW05M	ALLEN WRENCH 5MM
736	XPAW08M	ALLEN WRENCH 8MM
737	XPW04M	FLAT WASHER 10MM
738	XM1018738	INDICATOR
739	XM1018739	ADJUSTING STUD
740	XM1018740	KEY
741	XM1018741	SET SCREW M12-1.5 X 65
742	XM1018742	SCALE
743	XM1018743	RIVET
744	XM1018744	INDICATOR