


MODEL SB1024F

9" X 42" MILLING MACHINE w/DRO

Manual Insert

PHONE: (360) 734-1540 • www.southbendlathe.com



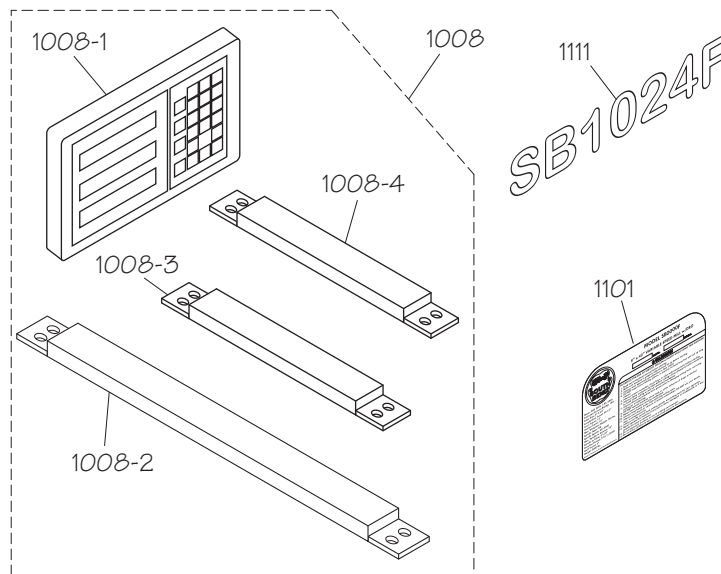
The Model SB1024F Milling Machine is the same machine as the Model SB1024 except for the following:

- Added a 3-Axis Fagor Digital Readout (DRO).
- Longitudinal table travel reduced to 23½" due to DRO installation.

Except for the differences noted in this insert, all other content in the Model SB1024 Owner's Manual applies to this machine. Before operating your new milling machine, you **MUST** read and understand this insert, the entire Model SB1024 Owner's Manual, and the Fagor DRO Owner's Manual to reduce the risk of injury when using this machine.

If you have any further questions about this manual insert or the differences between the Model SB1024F and the Model SB1024, contact our Technical Support at (360) 734-1639 or email sales@southbendlathe.com.

New & Changed Parts



REF	PART #	DESCRIPTION
1008	PSB1026F1008	DRO ASSEMBLY FAGOR 3-AXIS
1008-1	PSB1026F1008-1	DRO DISPLAY FAGOR 30iM
1008-2	PSB1026F1008-2	DRO X-AXIS SCALE FAGOR MKT-77
1008-3	PSB1026F1008-3	DRO Y-AXIS SCALE FAGOR MKT-37

REF	PART #	DESCRIPTION
1008-4	PSB1026F1008-4	DRO Z-AXIS SCALE FAGOR MKT-47
1101	PSB1024F1101	MACHINE ID LABEL
1111	PSB1024F1111	MODEL NUMBER LABEL

Copyright © June, 2011 by South Bend Lathe Co.
WARNING: No portion of this manual may be reproduced without written approval.
 #TS14203 Printed in USA