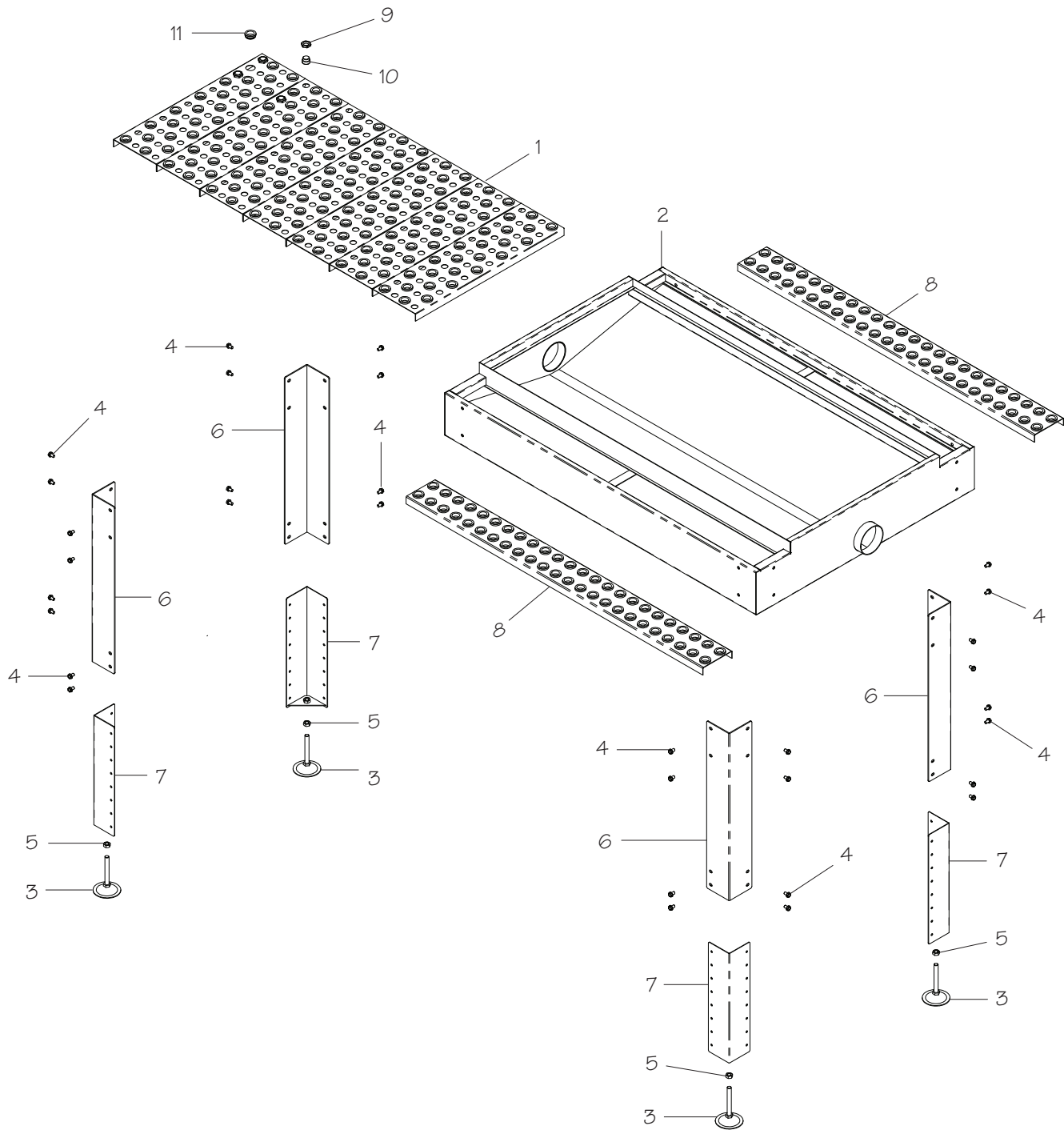


# Parts Breakdown & List\*



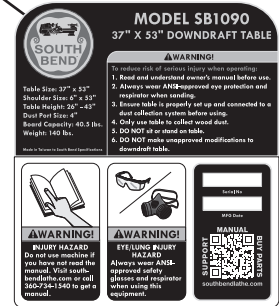
REF PART #	DESCRIPTION
1	PSB1090001 SUCTION BOARD
2	PSB1090002 TABLE
3	PSB1090003 FOOT PAD 1/2-13 X 3-1/8
4	PSB1090004 FLANGE BOLT 5/16-18 X 1/2
5	PSB1090005 HEX NUT 1/2-13
6	PSB1090006 SUPPORT LEG (UPPER)

REF PART #	DESCRIPTION
7	PSB1090007 SUPPORT LEG (LOWER)
8	PSB1090008 SHOULDER SUCTION BOARD
9	PSB1090009 WORK STOP NUT
10	PSB1090010 WORK STOP
11	PSB1090011 GROMMET

\* Breakdown is for illustration purposes. Not all parts may be available for purchase.

# Machine Labels

# SB1090



REF PART #	DESCRIPTION
101	PSB1090101 MODEL NUMBER LABEL
102	PSB1090102 SOUTH BEND NAMEPLATE 125MM
103	PSB1090103 MACHINE ID LABEL

REF PART #	DESCRIPTION
104	PSB1090104 TOUCH-UP PAINT, SB LIGHT BLUE
105	PSB1090105 TOUCH-UP PAINT, SB DARK BLUE

## **!WARNING**

The safety labels provided with your machine are used to make the operator aware of the machine hazards and ways to prevent injury. The owner of this machine **MUST** maintain the original location and readability of these safety labels. If any label is removed or becomes unreadable, **REPLACE** that label before using the machine again. Contact South Bend Lathe Co. at (360) 734-1540 or [www.southbendlathe.com](http://www.southbendlathe.com) to order new labels.