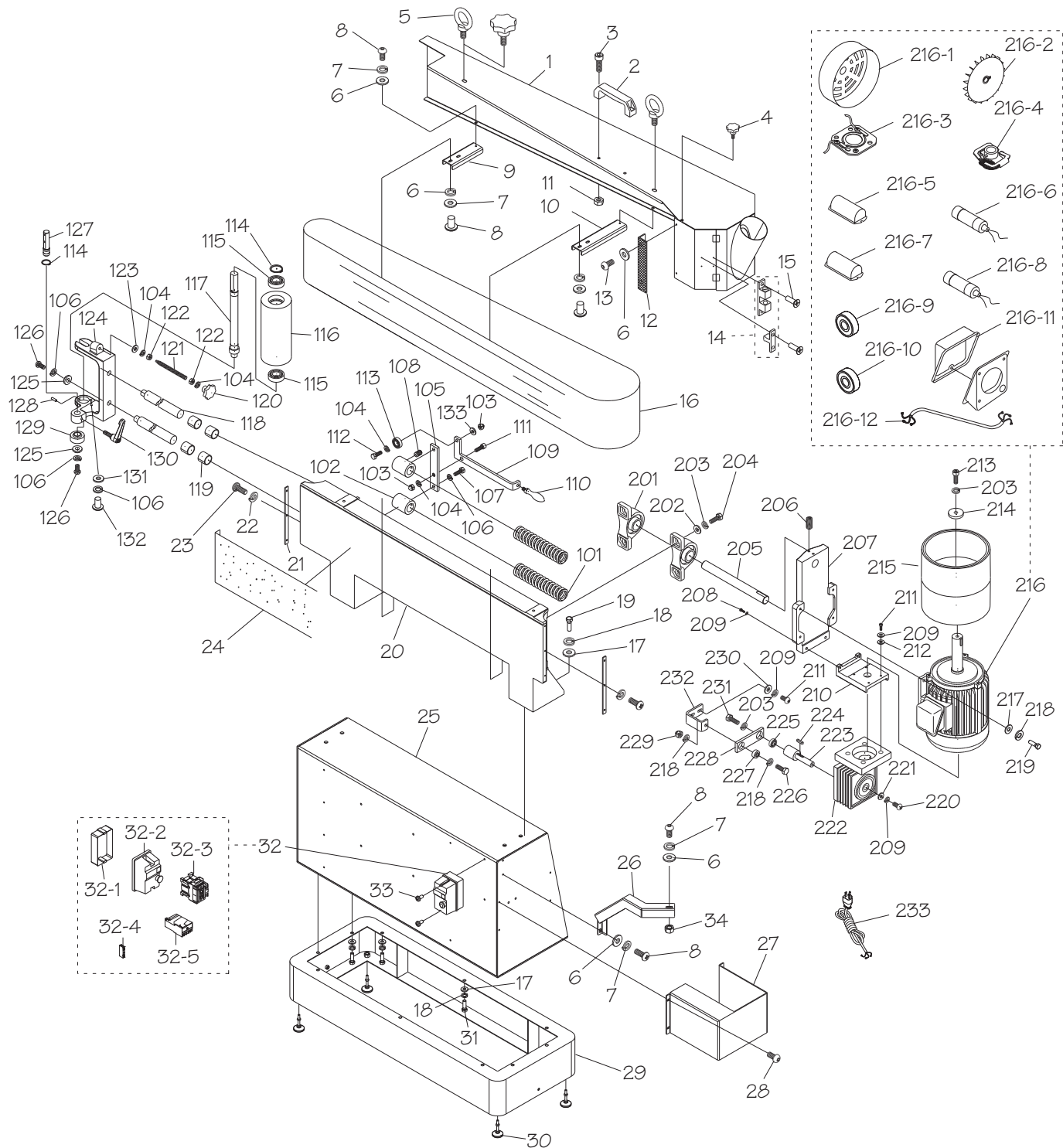


Main



| REF | PART # | DESCRIPTION |
|-----|------------|--|
| 1 | PSB1117001 | SANDING BELT GUARD |
| 2 | PSB1117002 | GUARD HANDLE |
| 3 | PSB1117003 | CAP SCREW M8-1.25 X 16 |
| 4 | PSB1117004 | KNOB BOLT 1/4-20 X 3/4, 7-LOBE, D1-1/8 |
| 5 | PSB1117005 | EYE BOLT 1", M10-1.5 X 18 |

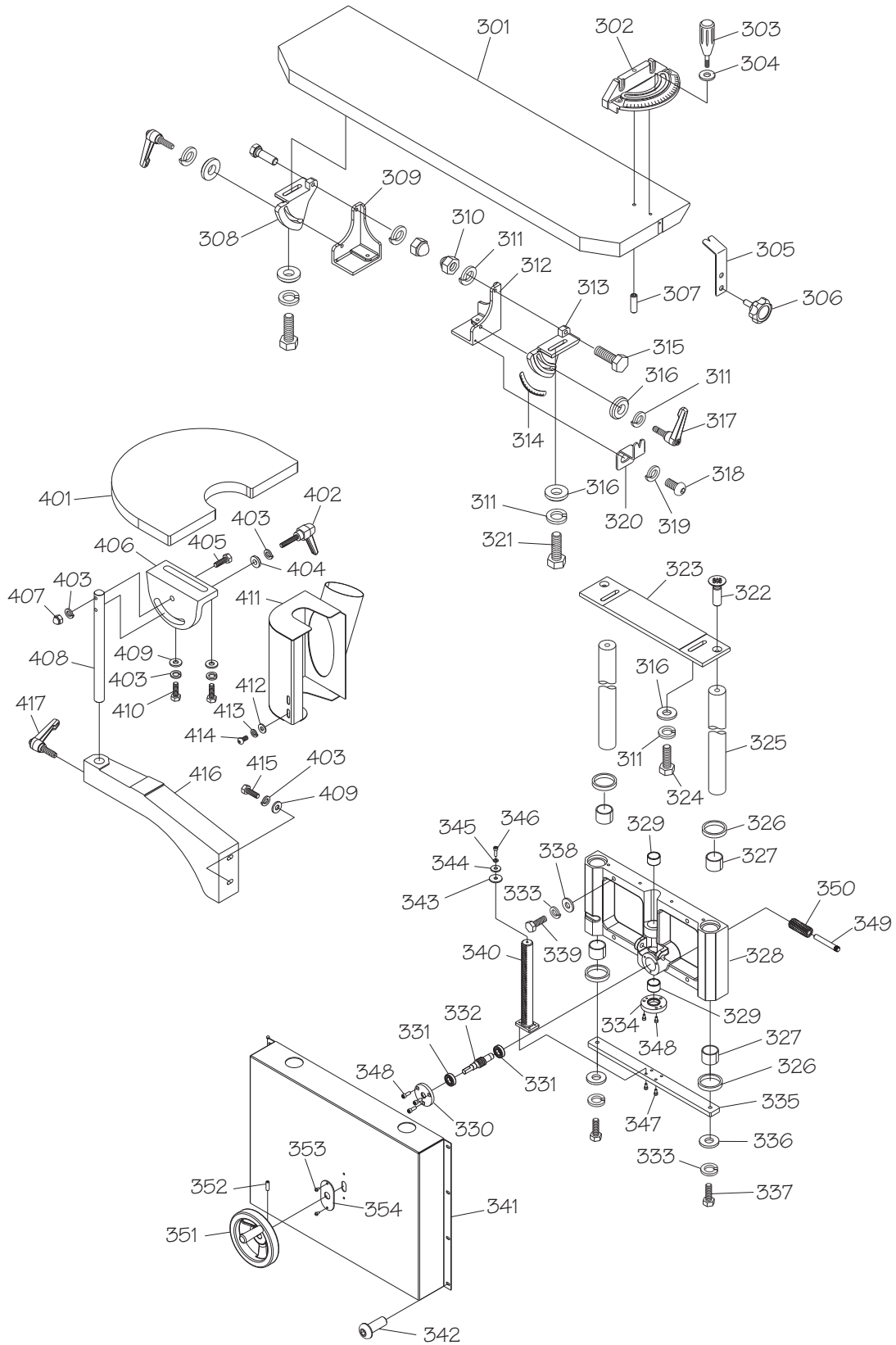
| REF | PART # | DESCRIPTION |
|-----|------------|-----------------------------|
| 6 | PSB1117006 | FLAT WASHER 6MM |
| 7 | PSB1117007 | LOCK WASHER 6MM |
| 8 | PSB1117008 | BUTTON HD CAP SCR M6-1 X 16 |
| 9 | PSB1117009 | GUARD BRACKET (SHORT) |
| 10 | PSB1117010 | GUARD BRACKET (LONG) |

Main Parts List

| REF | PART # | DESCRIPTION |
|------|--------------|---|
| 11 | PSB1117011 | HEX NUT M8-1.25 |
| 12 | PSB1117012 | STOP GUARD |
| 13 | PSB1117013 | BUTTON HD CAP SCR M6-1 X 8 |
| 14 | PSB1117014 | BALL-STYLE GRAB LATCH |
| 15 | PSB1117015 | FLAT HD SCR M3-.5 X 6 |
| 16 | PSB1117016 | SANDING BELT 9" X 138-1/2" 120-GRIT |
| 17 | PSB1117017 | FLAT WASHER 10MM |
| 18 | PSB1117018 | LOCK WASHER 10MM |
| 19 | PSB1117019 | HEX BOLT M10-1.5 X 40 |
| 20 | PSB1117020 | PLATEN |
| 21 | PSB1117021 | GRAPHITE PAD BRACKET |
| 22 | PSB1117022 | LOCK WASHER 5MM |
| 23 | PSB1117023 | BUTTON HD CAP SCR M5-.8 X 16 |
| 24 | PSB1117024 | GRAPHITE PAD 9-13/16" X 49-3/16" |
| 25 | PSB1117025 | MACHINE BASE |
| 26 | PSB1117026 | GUARD SUPPORT |
| 27 | PSB1117027 | GEARBOX COVER |
| 28 | PSB1117028 | BUTTON HD CAP SCR M6-1 X 12 |
| 29 | PSB1117029 | BASE SUPPORT |
| 30 | PSB1117030 | FOOT M12-1.75 X 20 |
| 31 | PSB1117031 | HEX BOLT M10-1.5 X 25 |
| 32 | PSB1117032 | MAG SWITCH NHD M51-18D |
| 32-1 | PSB1117032-1 | SWITCH BOX |
| 32-2 | PSB1117032-2 | SWITCH BOX COVER |
| 32-3 | PSB1117032-3 | CONTACTOR C-18D 220V |
| 32-4 | PSB1117032-4 | AUX CONTACT BLOCK |
| 32-5 | PSB1117032-5 | OL RELAY NTH-17-14-17A |
| 33 | PSB1117033 | PHLP HD SCR 10-24 X 1/2 |
| 34 | PSB1117034 | HEX NUT M6-1 |
| 101 | PSB1117101 | COMPRESSION SPRING 5.5 X 43 X 236 |
| 102 | PSB1117102 | LOCK COLLAR 49 X 60 |
| 103 | PSB1117103 | ACORN NUT M12-1.75 |
| 104 | PSB1117104 | LOCK WASHER 12MM |
| 105 | PSB1117105 | TENSION PLATE 9.5 X 31.8 X 175 |
| 106 | PSB1117106 | LOCK WASHER 10MM |
| 107 | PSB1117107 | HEX BOLT M10-1.5 X 20 |
| 108 | PSB1117108 | SET SCREW M10-1.5 X 10 |
| 109 | PSB1117109 | TENSION LEVER |
| 110 | PSB1117110 | REVOLVING HANDLE 25 X 85, M10-1.25 X 12 |
| 111 | PSB1117111 | CAP SCREW M12-1.75 X 30 |
| 112 | PSB1117112 | HEX BOLT M12-1.75 X 30 |
| 113 | PSB1117113 | BALL BEARING 6201ZZ |
| 114 | PSB1117114 | EXT RETAINING RING 25MM |
| 115 | PSB1117115 | BALL BEARING 6205ZZ |
| 116 | PSB1117116 | IDLER WHEEL |
| 117 | PSB1117117 | WHEEL SHAFT 25 X 334 |
| 118 | PSB1117118 | TENSION SHAFT 30 X 550 |
| 119 | PSB1117119 | BUSHING 30 X 34 X 25 |
| 120 | PSB1117120 | KNOB M12-1.75, 7-LOBE, D60 |
| 121 | PSB1117121 | TAPERED THREADED ROD M12-1.75 X 155 |
| 122 | PSB1117122 | HEX NUT M12-1.75 |
| 123 | PSB1117123 | FLAT WASHER 10MM |
| 124 | PSB1117124 | TENSION BRACKET |
| 125 | PSB1117125 | FENDER WASHER 10 X 25 X 6 |

| REF | PART # | DESCRIPTION |
|--------|---------------|-------------------------------------|
| 126 | PSB1117126 | BUTTON HD CAP SCR M10-1.5 X 25 |
| 127 | PSB1117127 | TENSION MOUNTING SHAFT 25 X 112 |
| 128 | PSB1117128 | SET SCREW M6-1 X 12 |
| 129 | PSB1117129 | SPHERICAL BEARING PB-20 |
| 130 | PSB1117130 | FIXED HANDLE 21 X 81, M10-1.5 X 30 |
| 131 | PSB1117131 | FLAT WASHER 10MM |
| 132 | PSB1117132 | BUTTON HD CAP SCR M10-1.5 X 16 |
| 133 | PSB1117133 | FLAT WASHER 12MM |
| 201 | PSB1117201 | PILLOW BEARING UC107 |
| 202 | PSB1117202 | FLAT WASHER 12MM |
| 203 | PSB1117203 | LOCK WASHER 12MM |
| 204 | PSB1117204 | HEX BOLT M12-1.75 X 40 |
| 205 | PSB1117205 | OSCILLATION SHAFT 35 X 355 |
| 206 | PSB1117206 | SET SCREW M10-1.5 X 10 |
| 207 | PSB1117207 | MOTOR MOUNT |
| 208 | PSB1117208 | HEX BOLT M8-1.25 X 35 |
| 209 | PSB1117209 | LOCK WASHER 8MM |
| 210 | PSB1117210 | MOTOR/GEARBOX BRACKET |
| 211 | PSB1117211 | BUTTON HD CAP SCR M8-1.25 X 20 |
| 212 | PSB1117212 | FLAT WASHER 8MM |
| 213 | PSB1117213 | CAP SCREW M12-1.75 X 35 |
| 214 | PSB1117214 | FENDER WASHER 14MM |
| 215 | PSB1117215 | DRIVE WHEEL |
| 216 | PSB1117216 | MOTOR 3HP 220V 1-PH |
| 216-1 | PSB1117216-1 | MOTOR FAN COVER |
| 216-2 | PSB1117216-2 | MOTOR FAN |
| 216-3 | PSB1117216-3 | CONTACT PLATE 24 X 67MM |
| 216-4 | PSB1117216-4 | CENTRIFUGAL SWITCH 3/4 1720 RPM |
| 216-5 | PSB1117216-5 | S CAPACITOR COVER |
| 216-6 | PSB1117216-6 | S CAPACITOR 300M 250V 1-3/4 X 3-5/8 |
| 216-7 | PSB1117216-7 | R CAPACITOR COVER |
| 216-8 | PSB1117216-8 | R CAPACITOR 20M 500V 2 X 3-5/8 |
| 216-9 | PSB1117216-9 | BALL BEARING 6308ZZ (FRONT) |
| 216-10 | PSB1117216-10 | BALL BEARING 6205ZZ (REAR) |
| 216-11 | PSB1117216-11 | MOTOR JUNCTION BOX |
| 216-12 | PSB1117216-12 | MOTOR CORD 12G 3W 24" |
| 217 | PSB1117217 | FLAT WASHER 10MM |
| 218 | PSB1117218 | LOCK WASHER 10MM |
| 219 | PSB1117219 | HEX BOLT M10-1.5 X 35 |
| 220 | PSB1117220 | BUTTON HD CAP SCR M8-1.25 X 25 |
| 221 | PSB1117221 | FENDER WASHER 8MM |
| 222 | PSB1117222 | GEARBOX REDUCER |
| 223 | PSB1117223 | PLUG-IN SHAFT 35 X 120 |
| 224 | PSB1117224 | KEY 6 X 6 X 30 RE |
| 225 | PSB1117225 | BALL BEARING 6001ZZ |
| 226 | PSB1117226 | HEX BOLT M10-1.5 X 30 |
| 227 | PSB1117227 | SPHERICAL BEARING PB-10 |
| 228 | PSB1117228 | BEARING HOUSING |
| 229 | PSB1117229 | ACORN NUT M10-1.25 |
| 230 | PSB1117230 | FLAT WASHER 8MM |
| 231 | PSB1117231 | HEX BOLT M12-1.75 X 30 |
| 232 | PSB1117232 | GEARBOX MOUNTING BRACKET |
| 233 | PSB1117233 | POWER CORD 12G 3W 106" 6-20P |

Tables



Tables Parts List

| REF | PART # | DESCRIPTION |
|-----|------------|------------------------------------|
| 301 | PSB1117301 | MAIN TABLE |
| 302 | PSB1117302 | MITER GAUGE |
| 303 | PSB1117303 | FIXED HANDLE 1-3/16 X 3-1/8 |
| 304 | PSB1117304 | FENDER WASHER 10 X 25 X 6 |
| 305 | PSB1117305 | MITER ANGLE POINTER |
| 306 | PSB1117306 | KNOB BOLT M5-.8 X 10, 6-LOBE, D20 |
| 307 | PSB1117307 | HINGE PIN M8-1.25 X 20 |
| 308 | PSB1117308 | TRUNNION (LEFT) |
| 309 | PSB1117309 | TRUNNION MOUNT (LEFT) |
| 310 | PSB1117310 | ACORN NUT M10-1.5 |
| 311 | PSB1117311 | LOCK WASHER 10MM |
| 312 | PSB1117312 | TRUNNION MOUNT (RIGHT) |
| 313 | PSB1117313 | TRUNNION (RIGHT) |
| 314 | PSB1117314 | ANGLE SCALE |
| 315 | PSB1117315 | HEX BOLT M10-1.5 X 35 |
| 316 | PSB1117316 | FENDER WASHER 10 X 25 X 6 |
| 317 | PSB1117317 | FIXED HANDLE 21 X 81, M10-1.5 X 35 |
| 318 | PSB1117318 | BUTTON HD CAP SCR M5-.8 X 10 |
| 319 | PSB1117319 | LOCK WASHER 5MM |
| 320 | PSB1117320 | TABLE ANGLE POINTER |
| 321 | PSB1117321 | HEX BOLT M10-1.5 X 35 |
| 322 | PSB1117322 | FLAT HD SCR M10-1.5 X 15 |
| 323 | PSB1117323 | ADJUSTMENT PLATE |
| 324 | PSB1117324 | HEX BOLT M10-1.5 X 30 |
| 325 | PSB1117325 | ELEVATION SHAFT 35 X 425 |
| 326 | PSB1117326 | SEAL 35 X 50 X 8 |
| 327 | PSB1117327 | BUSHING 35 X 39 X 30 |
| 328 | PSB1117328 | ELEVATION BLOCK |
| 329 | PSB1117329 | SLEEVE BEARING 28 X 32 X 20 |
| 330 | PSB1117330 | BEARING CAP (FRONT) |
| 331 | PSB1117331 | BALL BEARING 6002ZZ |
| 332 | PSB1117332 | WORM GEAR SHAFT |
| 333 | PSB1117333 | LOCK WASHER 8MM |
| 334 | PSB1117334 | BEARING CAP (LOWER) |
| 335 | PSB1117335 | ADJUSTMENT PLATE |
| 336 | PSB1117336 | FENDER WASHER 8MM |

| REF | PART # | DESCRIPTION |
|-----|------------|------------------------------------|
| 337 | PSB1117337 | HEX BOLT M8-1.25 X 30 |
| 338 | PSB1117338 | FLAT WASHER 8MM |
| 339 | PSB1117339 | HEX BOLT M8-1.25 X 60 |
| 340 | PSB1117340 | ELEVATION LEADSCREW |
| 341 | PSB1117341 | CABINET COVER |
| 342 | PSB1117342 | BUTTON HD CAP SCR M6-1 X 8 |
| 343 | PSB1117343 | FENDER WASHER 12MM |
| 344 | PSB1117344 | FENDER WASHER 6MM |
| 345 | PSB1117345 | LOCK WASHER 6MM |
| 346 | PSB1117346 | CAP SCREW M6-1 X 12 |
| 347 | PSB1117347 | CAP SCREW M5-.8 X 15 |
| 348 | PSB1117348 | CAP SCREW M5-.8 X 10 |
| 349 | PSB1117349 | WORM GEAR SHAFT |
| 350 | PSB1117350 | WORM GEAR T15-1.5 |
| 351 | PSB1117351 | HANDWHEEL TYPE-24 165D X B-9 |
| 352 | PSB1117352 | SET SCREW M8-1.25 X 12 |
| 353 | PSB1117353 | BUTTON HD CAP SCR M5-.8 X 6 |
| 354 | PSB1117354 | DUST COVER PLATE |
| 401 | PSB1117401 | CORNER TABLE |
| 402 | PSB1117402 | FIXED HANDLE 21 X 81, M10-1.5 X 35 |
| 403 | PSB1117403 | LOCK WASHER 10MM |
| 404 | PSB1117404 | FENDER WASHER 10 X 25 X 6 |
| 405 | PSB1117405 | HEX BOLT M10-1.5 X 50 |
| 406 | PSB1117406 | PIVOT BASE |
| 407 | PSB1117407 | ACORN NUT M10-1.5 |
| 408 | PSB1117408 | CORNER TABLE SHAFT |
| 409 | PSB1117409 | FLAT WASHER 10MM |
| 410 | PSB1117410 | HEX BOLT M10-1.5 X 25 |
| 411 | PSB1117411 | DUST HOOD |
| 412 | PSB1117412 | FLAT WASHER 8MM |
| 413 | PSB1117413 | LOCK WASHER 8MM |
| 414 | PSB1117414 | BUTTON HD CAP SCR M8-1.25 X 16 |
| 415 | PSB1117415 | HEX BOLT M10-1.5 X 40 |
| 416 | PSB1117416 | CORNER TABLE SUPPORT |
| 417 | PSB1117417 | FIXED HANDLE 21 X 81, M10-1.5 X 30 |

Machine Labels



| REF | PART # | DESCRIPTION |
|-----|------------|----------------------------|
| 501 | PSB1117501 | BELT ROTATION LABEL |
| 502 | PSB1117502 | DOOR CLOSED LABEL |
| 503 | PSB1117503 | MACHINE ID LABEL |
| 504 | PSB1117504 | MACHINE WARNINGS LABEL |
| 505 | PSB1117505 | SOUTH BEND NAMEPLATE 203MM |

| REF | PART # | DESCRIPTION |
|-----|------------|-------------------------------|
| 506 | PSB1117506 | MODEL NUMBER LABEL |
| 507 | PSB1117507 | ELECTRICITY LABEL |
| 508 | PSB1117508 | TOUCH-UP PAINT, SB DARK BLUE |
| 509 | PSB1117509 | TOUCH-UP PAINT, SB LIGHT BLUE |

⚠ WARNING

The safety labels provided with your machine are used to make the operator aware of the machine hazards and ways to prevent injury. The owner of this machine **MUST** maintain the original location and readability of these safety labels. If any label is removed or becomes unreadable, **REPLACE** that label before using the machine again. Contact South Bend Tools at (360) 734-1540 or www.southbendtools.com to order new labels.