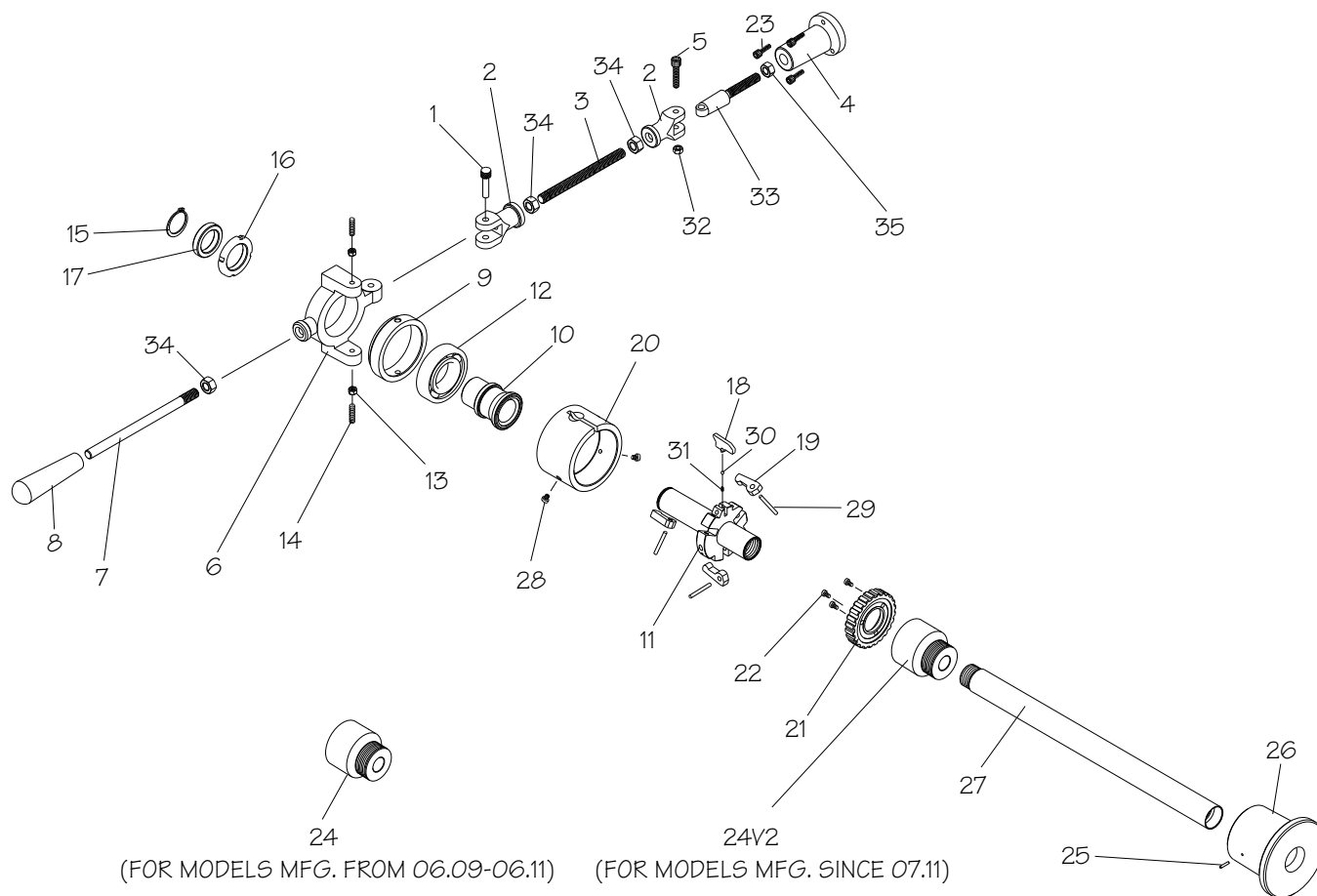


Parts Diagram



Parts List

REF	PART #	DESCRIPTION
1	PSB1268001	KNURLED PIN
2	PSB1268002	CLEVIS
3	PSB1268003	THREADED STUD 1/2-20 x 6
4	PSB1268004	MOUNTING BASE
5	PCAP143M	CAP SCREW M10-1.5 X 50
6	PSB1268006	LOCK YOKE
7	PSB1268007	LEVER
8	PSB1268008	PLASTIC KNOB 1/2-20
9	PSB1268009	YOKE RING
10	PSB1268010	CHUCK RING
11	PSB1268011	CHUCK HOUSING
12	PSB1268012	BALL BEARING 6208ZZ KOYO
13	PNO3M	HEX NUT M8-1.25
14	PSG74M	SET SCREW M8-1.25 X 35
15	PR37M	EXT RETAINING RING 32MM
16	PSB1268016	SPANNER NUT
17	PSB1268017	COLLAR
18	PSB1268018	THUMB LEVER
19	PSB1268019	LOCK PAWL
20	PSB1268020	ADJUSTMENT SLEEVE

REF	PART #	DESCRIPTION
21	PSB1268021	LOCK RING
22	PCAP33M	CAP SCREW M5-.8 X 12
23	PCAP02M	CAP SCREW M6-1 X 20
24	PSB1264024	SPINDLE ADAPTER 41.5-16 V1.06.09 (SB1039)
24V2	PSB1264024V2	SPINDLE ADAPTER 43.5-16 V2.07.11 (SB1039)
24	PSB1268024	SPINDLE ADAPTER M55-2 LH (SB1012)
25	PRP44M	ROLL PIN 3 X 10
26	PSB1264026	COLLET ADAPTER MT5/5C (SB1039)
26	PSB1268026	COLLET ADAPTER MT6/5C (SB1012)
27	PSB1264027	DRAW TUBE 21.06 (SB1039)
27	PSB1268027	DRAW TUBE 24.5" (SB1012)
28	PCAP18M	CAP SCREW M4-.7 X 8
29	PSB1268029	PIVOT PIN
30	PSB1268030	LOCK BALL
31	PSB1268031	COMPRESSION SPRING
32	PLNO5M	LOCK NUT M10-1.5
33	PSB1268033	CLEVIS STUD M16-2
34	PNO1	HEX NUT 1/2-20
35	PN13M	HEX NUT M16-2