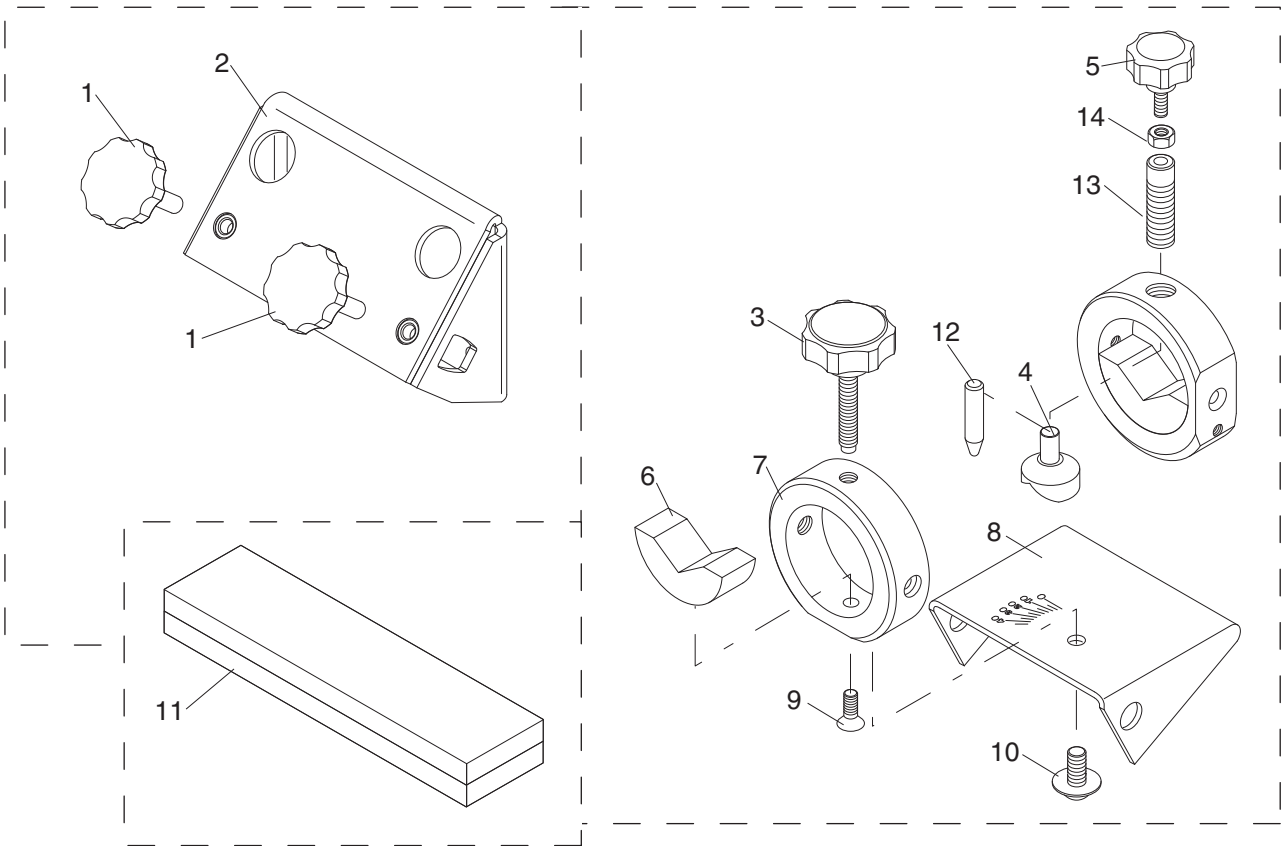


T10024 Parts Breakdown and List



REF	PART #	DESCRIPTION
1	PT10024001	KNOB M6-1 X 20
2	PT10024002	UNIVERSAL JIG
3	PT10024003	KNOB M8-1.25 X 40
4	PT10024004	CHISEL CLAMP
5	PT10010010	KNOB BOLT M6-1 X 16
6	PT10024006	CHISEL BED
7	PT10024007	CHISEL JIG

REF	PART #	DESCRIPTION
8	PT10024008	JIG HOLDER
9	PFH38M	FLAT HD SCR M6-1 X 16
10	PS39M	PHLP HD SCR M8-1.25 X 10
11	PT10024011	STONE DRESSER
12	PT10024012	CHISEL PIN
13	PT10024013	THREADED SLEEVE M12-1.75 X 45
14	PN01M	HEX NUT M6-1