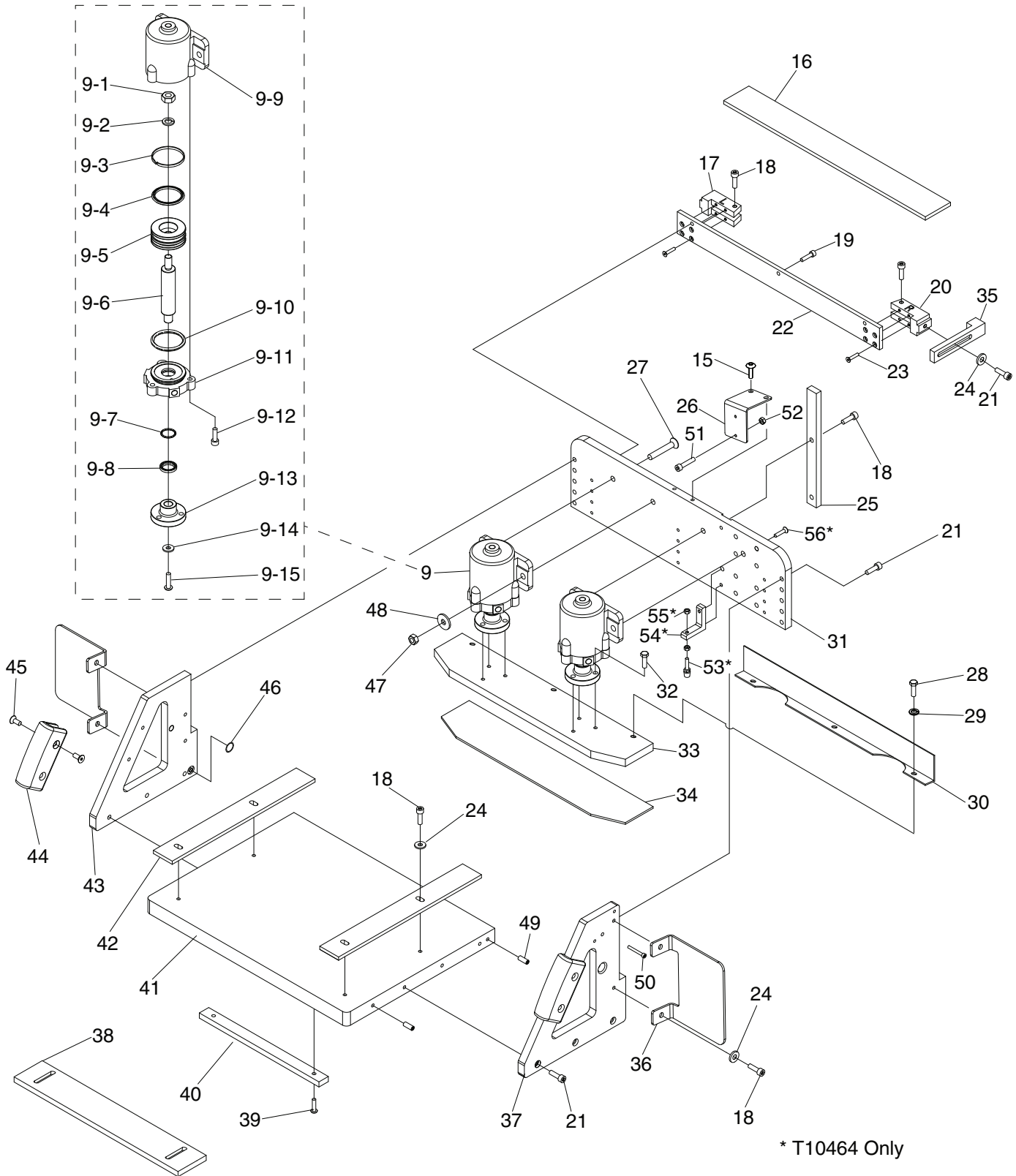


SECTION 7: PARTS

T10460/T10462/T10464 Main Breakdown



* T10464 Only



T10460/T10462/T10464 Parts List

REF	PART #	DESCRIPTION
9	PT10460009	CYLINDER ASSEMBLY
9-1	PN02M	HEX NUT M10-1.5
9-2	PLW06M	LOCK WASHER 10MM
9-3	PT10460009-3	WEAR RING 50 X 46 X 6
9-4	PT10460009-4	PISTON BACKING 50 X 40 X 4
9-5	PT10460009-5	PISTON
9-6	PT10460009-6	PISTON ROD
9-7	PORP020	O-RING 19.8 X 2.4 P20
9-8	PT10460009-8	O-RING DH20
9-9	PT10460009-9	CYLINDER BODY
9-10	PORG045	O-RING 44.4 X 3.1 G45
9-11	PT10460009-11	CYLINDER END COVER
9-12	PCAP07M	CAP SCREW M6-1 X 30
9-13	PT10460009-13	CLAMPING DISC
9-14	PW03M	FLAT WASHER 6MM
9-15	PCAP115M	BUTTON HD CAP SCR M6-1 X 16
15	PBHS09M	BUTTON HD CAP SCR M6-1 X 12
16	PT10460016	SQUARE TEMPLATE 11-1/2" (T10460)
16	PT10462016	SQUARE TEMPLATE 16" (T10462)
16	PT10464016	SQUARE TEMPLATE 24" (T10464)
17	PT10460017	LEFT TEMPLATE HOLDER
18	PCAP01M	CAP SCREW M6-1 X 16
19	PCAP24M	CAP SCREW M5-.8 X 16
20	PT10460020	RIGHT TEMPLATE HOLDER
21	PCAP02M	CAP SCREW M6-1 X 20
22	PT10460022	TEMPLATE RACK PLATE 12" (T10460)
22	PT10462022	TEMPLATE RACK PLATE 16" (T10462)
22	PT10464022	TEMPLATE RACK PLATE 24" (T10464)
23	PCAP23M	CAP SCREW M4-.7 X 12
24	PW03M	FLAT WASHER 6MM
25	PT10460025	VERTICAL FENCE
26	PT10460026	FIXED RACK
27	PFH36M	FLAT HD SCR M8-1.25 X 35
28	PB04M	HEX BOLT M6-1 X 10
29	PLW03M	LOCK WASHER 6MM

REF	PART #	DESCRIPTION
30	PT10460030	CLAMPING FENCE 12" (T10460)
30	PT10462030	CLAMPING FENCE 16" (T10462)
30	PT10464030	CLAMPING FENCE 24" (T10464)
31	PT10460031	CYLINDER HOLDING PLATE (T10460)
31	PT10462031	CYLINDER HOLDING PLATE (T10462)
31	PT10464031	CYLINDER HOLDING PLATE (T10464)
32	PB08M	HEX BOLT M6-1 X 20
33	PT10460033	MATERIAL CLAMP 12" (T10460)
33	PT10462033	MATERIAL CLAMP 16" (T10462)
33	PT10464033	MATERIAL CLAMP 24" (T10464)
34	PT10460034	HOLDDOWN PAD 12" (T10460)
34	PT10462034	HOLDDOWN PAD 16" (T10462)
34	PT10464034	HOLDDOWN PAD 24" (T10464)
35	PT10460035	TEMPLATE GUARD
36	PT10460036	GUARD
37	PT10460037	RIGHT HANDLE
38	PT10460038	FENCE BACK (T10460)
38	PT10460038	FENCE BACK (T10462)
38	PT10460038	FENCE BACK (T10464)
39	PBHS16M	BUTTON HD CAP SCR M5-.8 X 16
40	PT10460040	SLIDING TABLE SUPPORT
41	PT10460041	BASE 11-1/2 X 12" (T10460)
41	PT10462041	BASE 11-1/2 X 16" (T10462)
41	PT10464041	BASE 11-1/2 X 24" (T10464)
42	PT10460042	COPE FENCE
43	PT10460043	LEFT HANDLE
44	PT10460044	GRIP
45	PFH02M	FLAT HD SCR M6-1 X 12
46	PORP009	O-RING 8.8 X 1.9 P9
47	PLN04M	LOCK NUT M8-1.25
48	PW01M	FLAT WASHER 8MM
49	PT10460049	DOWEL PIN
50	PCAP109M	CAP SCREW M5-.8 X 50
51	PCAP162M	CAP SCREW M4-.7 X 25
52	PN04M	HEX NUT M4-.7

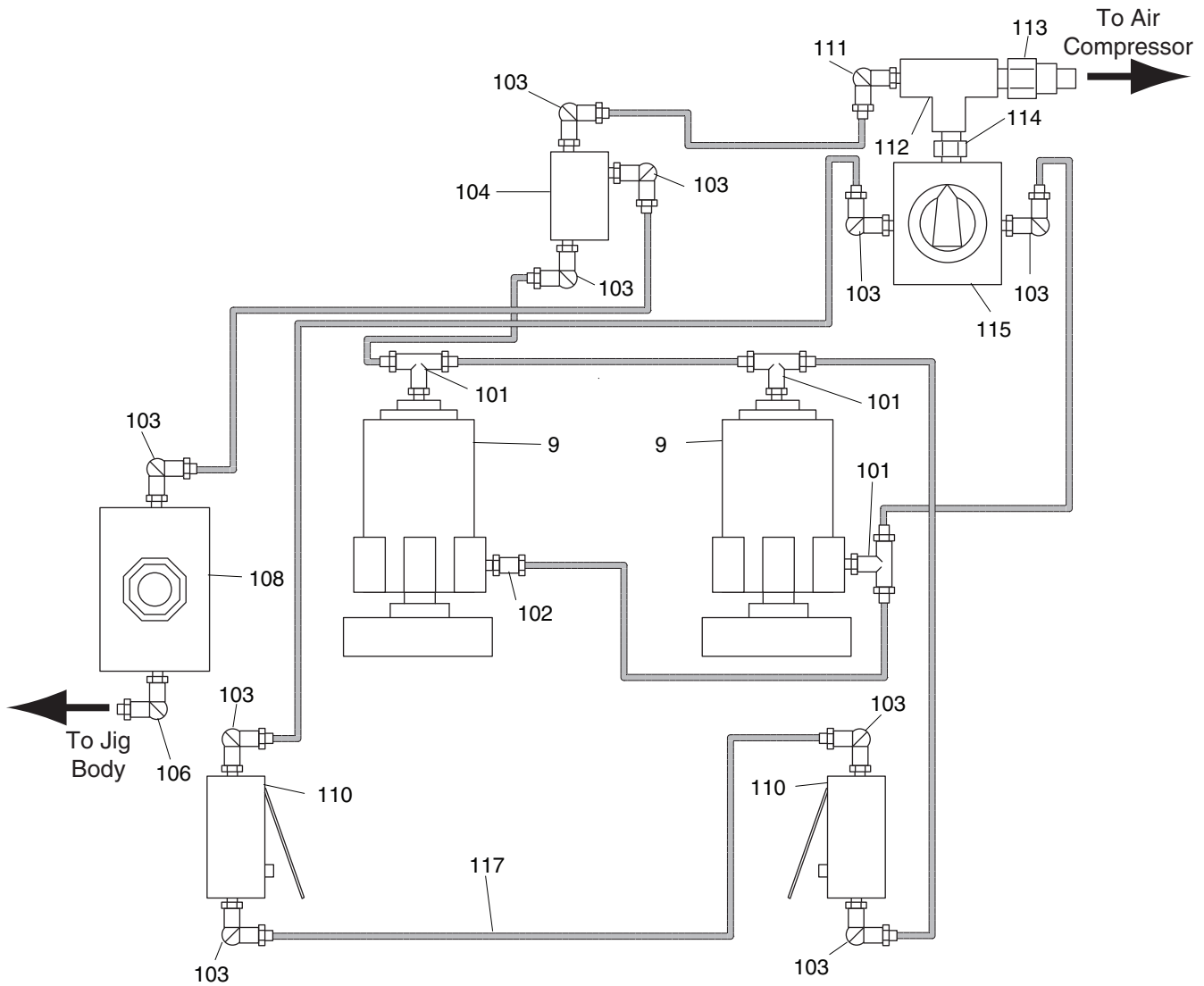
T10464 Only

REF	PART #	DESCRIPTION
53	PT10464053	RUBBER HEAD SCREW M6-1
54	PT10464054	CLAMP LIMIT SET

REF	PART #	DESCRIPTION
55	PN01M	HEX NUT M6-1
56	PFH54M	FLAT HD SCR M5-.8 X 20

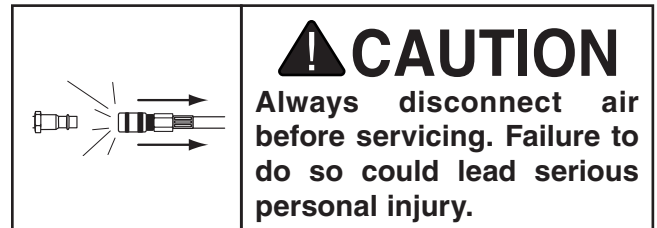


T10460/T10462/T10464 Pneumatic

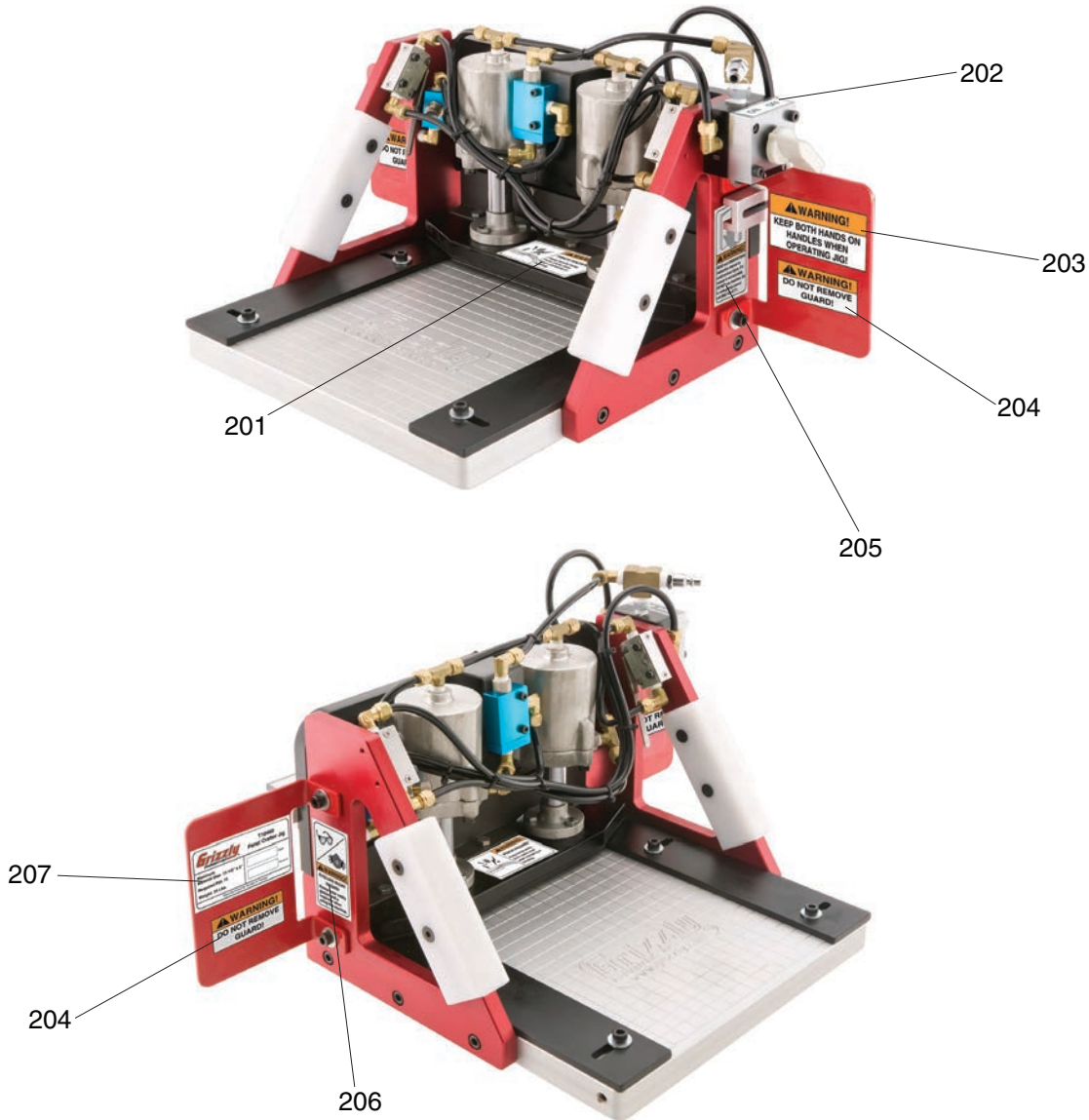


REF	PART #	DESCRIPTION
9	PT10460009	CYLINDER ASSEMBLY
101	PT10460101	T-CONNECTOR 1/8" NPT X 6 X 6MM
102	PT10460102	MALE CONNECTOR 1/8" NPT X 6MM
103	PT10460103	L-CONNECTOR 1/8" NPT X 6MM
104	PT10460104	PILOT CHECK
106	PT10460106	L-CONNECTOR 1/8" NPT X 1/8"
108	PT10460108	AIRFLOW CONTROL VALVE 1/8" NPT

REF	PART #	DESCRIPTION
110	PT10460110	DOUBLE SWITCH
111	PT10460111	L-CONNECTOR 1/4" X 6MM
112	PT10460112	BLOCK 1/4" NPT X 1/4" X 1/4"
113	PT10460113	MALE COUPLING 1/4" NPT
114	PT10460114	CONNECTION 1/4" NPT X 1/8"
115	PT10460115	CONTROL VALVE
117	PT10460117	AIR TUBING 6 X 4MM



T10460/T10462/T10464 Labels



REF	PART #	DESCRIPTION
201	PT10460201	PINCH HAZARD LABEL
202	PT10460202	ON/OFF VALVE LABEL
203	PT10460203	USE BOTH HANDS LABEL
204	PT10460204	DO NOT REMOVE GUARD LABEL
205	PT10460205	READ MANUAL LABEL

REF	PART #	DESCRIPTION
206	PT10460206	GLASSES/REGULATOR LABEL
207	PT10460207	MACHINE ID LABEL (T10460)
207	PT10462207	MACHINE ID LABEL (T10462)
207	PT10464207	MACHINE ID LABEL (T10464)

⚠️ WARNING

Safety labels help reduce the risk of serious injury caused by machine hazards. If any label comes off or becomes unreadable, the owner of this machine **MUST** replace it in the original location before resuming operations. For replacements, contact (800) 523-4777 or www.grizzly.com.

