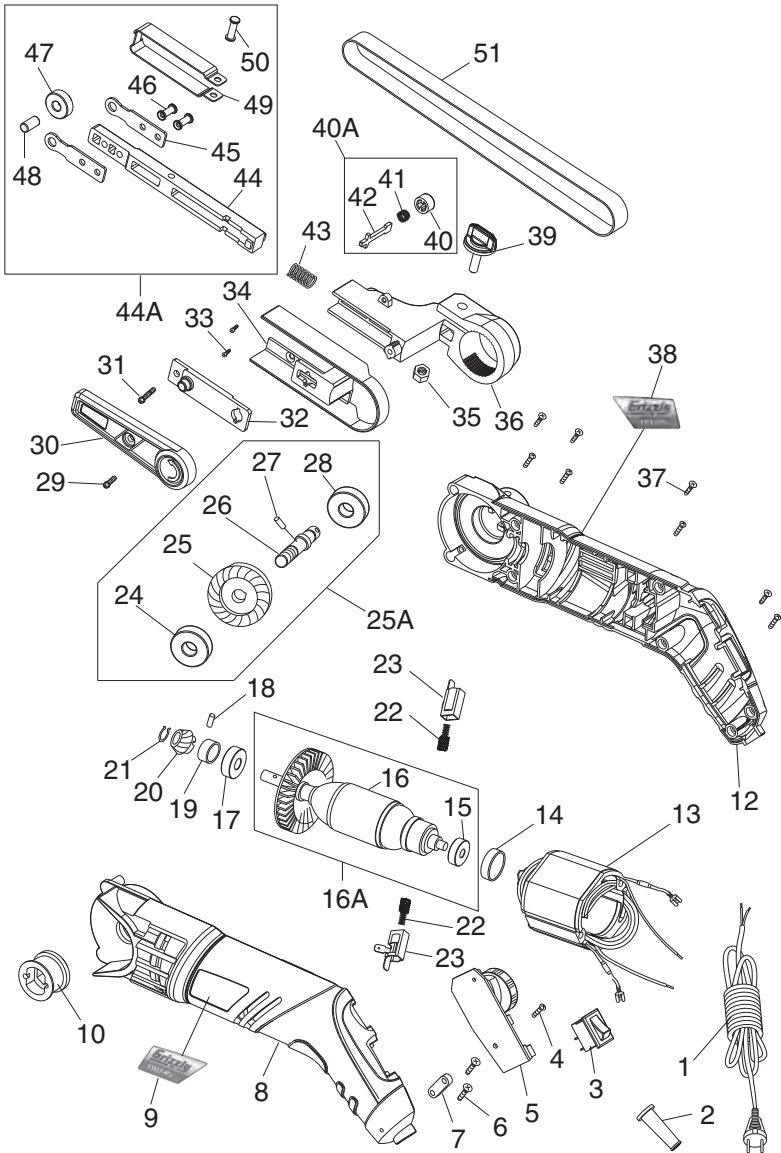


SECTION 7: PARTS

Main Breakdown



Main Parts List

REF	PART #	DESCRIPTION	REF	PART #	DESCRIPTION
1	PT10745001	POWER CORD 18G 2W 72" 1-15	27	PT10745027	GEAR WHEEL PIN
2	PT10745002	POWER CORD SLEEVE	28	PT10745028	BALL BEARING 608-2RS
3	PT10745003	ON/OFF SWITCH 250V 6A	29	PT10745029	PHLP HD SCR M4-.7 X 8
4	PT10745004	TAP SCREW M3 X 8	30	PT10745030	DRIVE WHEEL COVER
5	PT10745005	VARIABLE SPEED CIRCUIT BOARD	31	PT10745031	PHLP HD SCR M4-.7 X 20
6	PT10745006	TAP SCREW M4 X 16	32	PT10745032	DRIVE WHEEL COVER MOUNT
7	PT10745007	CABLE CLAMP	33	PT10745033	PHLP HD SCR M3-.5 X 6
8	PT10745008	LEFT HOUSING	34	PT10745034	ARM BRACKET
9	PT10745009	MODEL NUMBER LABEL (L)	35	PT10745035	HEX NUT M5-.8
10	PT10745010	REAR DRIVE WHEEL	36	PT10745036	ARM SUPPORT STAND
12	PT10745012	RIGHT HOUSING	37	PT10745037	TAP SCREW M3-.5 X 12
13	PT10745013	STATOR	38	PT10745038	MODEL NUMBER LABEL (R)
14	PT10745014	DAMPING RING	39	PT10745039	PIVOT KNOB M5-.8 X 20
15	PT10745015	BALL BEARING 626ZZ	40	PT10745040	BELT TENSION BUTTON
16	PT10745016	ROTOR	40A	PT10745040A	BELT TENSION BUTTON ASSEMBLY
16A	PT10745016A	ROTOR ASSEMBLY	41	PT10745041	COMPRESSION SPRING
17	PT10745017	BALL BEARING 626ZZ	42	PT10745042	BUTTON LATCH HOOK
18	PT10745018	PINION BUSHING PIN	43	PT10745043	COMPRESSION SPRING
19	PT10745019	PINION BUSHING	44	PT10745044	TENSION ARM
20	PT10745020	PINION	44A	PT10745044A	TENSION ARM ASSEMBLY
21	PT10745021	EXT RETAINING RING 6MM	45	PT10745045	MOUNTING PLATE ARM
22	PT10745022	CARBON BRUSH 2-PC SET	46	PT10745046	RIVET 3 X 10 FLAT HEAD ALUM
23	PT10745023	CARBON BRUSH HOLDER	47	PT10745047	BALL BEARING 606ZZ
24	PT10745024	BALL BEARING 608-2RS	48	PT10745048	FRONT BEARING SHAFT
25	PT10745025	GEAR WHEEL	49	PT10745049	FRONT ARM SUPPORT BRACKET
25A	PT10745025A	GEAR WHEEL ASSEMBLY	50	PT10745050	RIVET 3 X 14 FLAT HEAD ALUM
26	PT10745026	OUTPUT SHAFT	51	PT10745051	SANDING BELT 1/2" X 18"