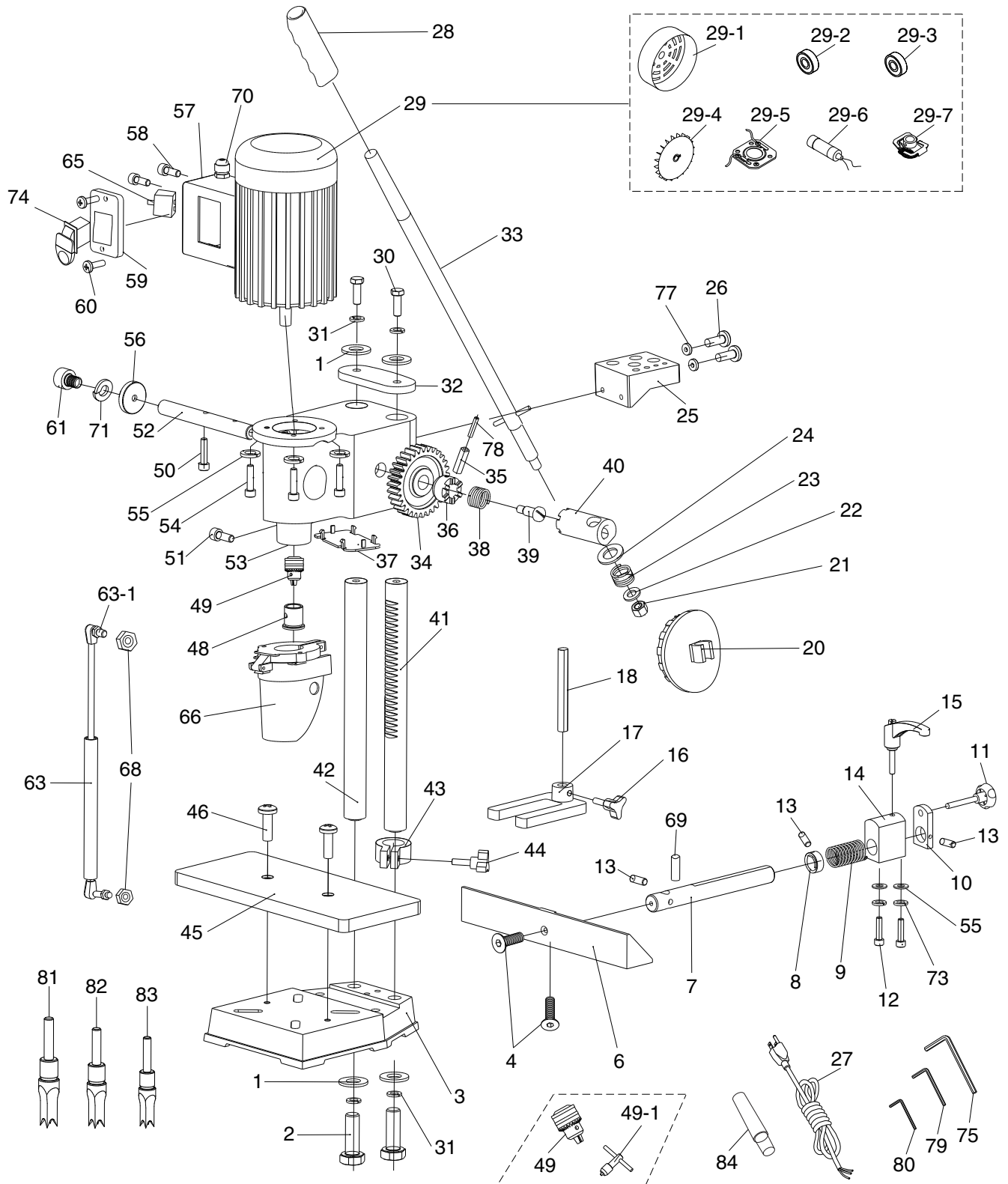


SECTION 9: PARTS

Main Breakdown



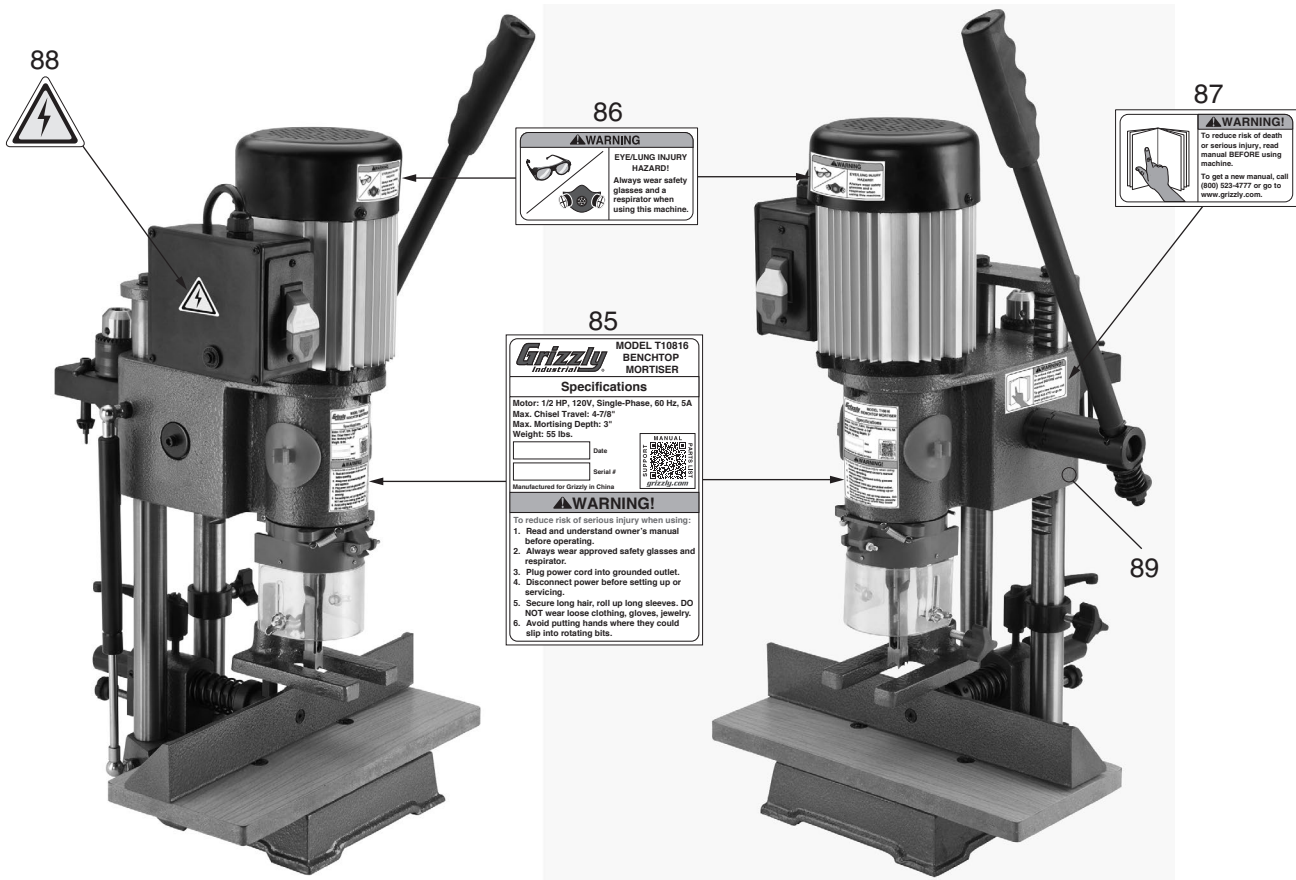
Main Parts List

REF	PART #	DESCRIPTION
1	PT10816001	FLAT WASHER 10MM
2	PT10816002	HEX BOLT M10-1.5 X 30
3	PT10816003	BASE
4	PT10816004	FLAT HD CAP SCR M6-1 X 12
6	PT10816006	FENCE
7	PT10816007	FENCE ROD
8	PT10816008	FENCE COLLAR
9	PT10816009	COMPRESSION SPRING 33 X 80MM
10	PT10816010	MICRO-ADJUSTMENT BRACKET
11	PT10816011	MICRO-ADJUSTMENT KNOB M8-1.25 X 65
12	PT10816012	CAP SCREW M8-1.25 X 20
13	PT10816013	SET SCREW M5-.8 X 8
14	PT10816014	GUIDE BLOCK
15	PT10816015	ADJUSTABLE HANDLE M8-1.25 X 25
16	PT10816016	HOLD-DOWN LOCK KNOB M16-2 X 25
17	PT10816017	HOLD-DOWN BRACKET
18	PT10816018	HOLD-DOWN ROD
20	PT10816020	CHUCK ACCESS COVER, PLASTIC
21	PT10816021	HEX NUT M12-1.75
22	PT10816022	FENDER WASHER 12MM
23	PT10816023	COMPRESSION SPRING 25 X 28MM
24	PT10816024	FENDER WASHER 20MM
25	PT10816025	TOOL RACK
26	PT10816026	CAP SCREW M6-1 X 15
27	PT10816027	POWER CORD 18G 3W 72" 5-15P
28	PT10816028	HAND GRIP
29	PT10816029	MOTOR 1/2HP 120V 1-PH
29-1	PT10816029-1	MOTOR FAN COVER
29-2	PT10816029-2	BALL BEARING 6202ZZ
29-3	PT10816029-3	BALL BEARING 6203ZZ
29-4	PT10816029-4	MOTOR FAN
29-5	PT10816029-5	CONTACT PLATE
29-6	PT10816029-6	R CAPACITOR 14M 250V 1-3/8 X 2-1/2
29-7	PT10816029-7	CENTRIFUGAL SWITCH
30	PT10816030	HEX BOLT M10-1.5 X 25
31	PT10816031	LOCK WASHER 10MM
32	PT10816032	STEP PLATE
33	PT10816033	HAND LEVER
34	PT10816034	GEAR 34T
35	PT10816035	ROLL PIN 8 X 35
36	PT10816036	HUB
37	PT10816037	PLASTIC COVER
38	PT10816038	COMPRESSION SPRING 19 X 28MM

REF	PART #	DESCRIPTION
39	PT10816039	SHOULDER SCREW M10-1.5 40, 26 X 40
40	PT10816040	HAND LEVER CLUTCH
41	PT10816041	GEAR COLUMN
42	PT10816042	GUIDE COLUMN
43	PT10816043	DEPTH LOCK COLLAR
44	PT10816044	DEPTH LOCK KNOB M8-1.25 X 18
45	PT10816045	TABLE
46	PT10816046	PHLP HD SCR M8-1.25 X 20
48	PT10816048	CHISEL BUSHING 3/4"
49	PT10816049	DRILL CHUCK B16 1.5-13MM
49-1	PT10816049-1	DRILL CHUCK KEY 1/4" SE 12T SD-1/2"
50	PT10816050	CAP SCREW M8-1.25 X 45
51	PT10816051	CAP SCREW M6-1 X 20
52	PT10816052	GEAR SHAFT
53	PT10816053	HEADSTOCK
54	PT10816054	CAP SCREW M8-1.25 X 25
55	PT10816055	FLAT WASHER 8MM
56	PT10816056	OVERSIZED FLAT WASHER 6 X 3.5MM
57	PT10816057	MOTOR JUNCTION BOX
58	PT10816058	PHLP HD SCR M3-.5 X 14
59	PT10816059	SWITCH PLATE
60	PT10816060	PHLP HD SCR M4-.7 X 12
61	PT10816061	CAP SCREW M6-1 X 16
63	PT10816063	GAS SPRING 38MM
63-1	PT10816063-1	BALL STUD 12-1.75
65	PT10816065	CIRCUIT BREAKER KUOYUH 88-SERIES 6A
66	PT10816066	CHIP GUARD
68	PT10816068	HEX NUT M8-1.25
69	PT10816069	ROLL PIN 4 X 30
70	PT10816070	STRAIN RELIEF M16-2 X 15 ST PLASTIC
71	PT10816071	LOCK WASHER 6MM
73	PT10816073	LOCK WASHER 8MM
74	PT10816074	PADDLE SWITCH KEDU HY18
75	PT10816075	HEX WRENCH 6MM
77	PT10816077	FLAT WASHER 6MM
78	PT10816078	ROLL PIN 5 X 35
79	PT10816079	HEX WRENCH 5MM
80	PT10816080	HEX WRENCH 3MM
81	PT10816081	MORTISING CHISEL 1/2"
82	PT10816082	MORTISING CHISEL 3/8"
83	PT10816083	MORTISING CHISEL 1/4"
84	PT10816084	DRILL CHUCK ARBOR MT#2 X B16



Labels & Cosmetics



REF	PART #	DESCRIPTION
85	PT10816085	MACHINE ID LABEL
86	PT10816086	EYE LUNG HAZARD LABEL 2.8 X 1.5
87	PT10816087	READ MANUAL LABEL 2.8 X 1.5

REF	PART #	DESCRIPTION
88	PT10816088	ELECTRICITY LABEL 1.4 X 1.2
89	PT10816089	GRIZZLY GREEN TOUCH-UP PAINT

WARNING

Safety labels help reduce the risk of serious injury caused by machine hazards. If any label comes off or becomes unreadable, the owner of this machine **MUST** replace it in the original location before resuming operations. For replacements, contact (800) 523-4777 or www.grizzly.com.

