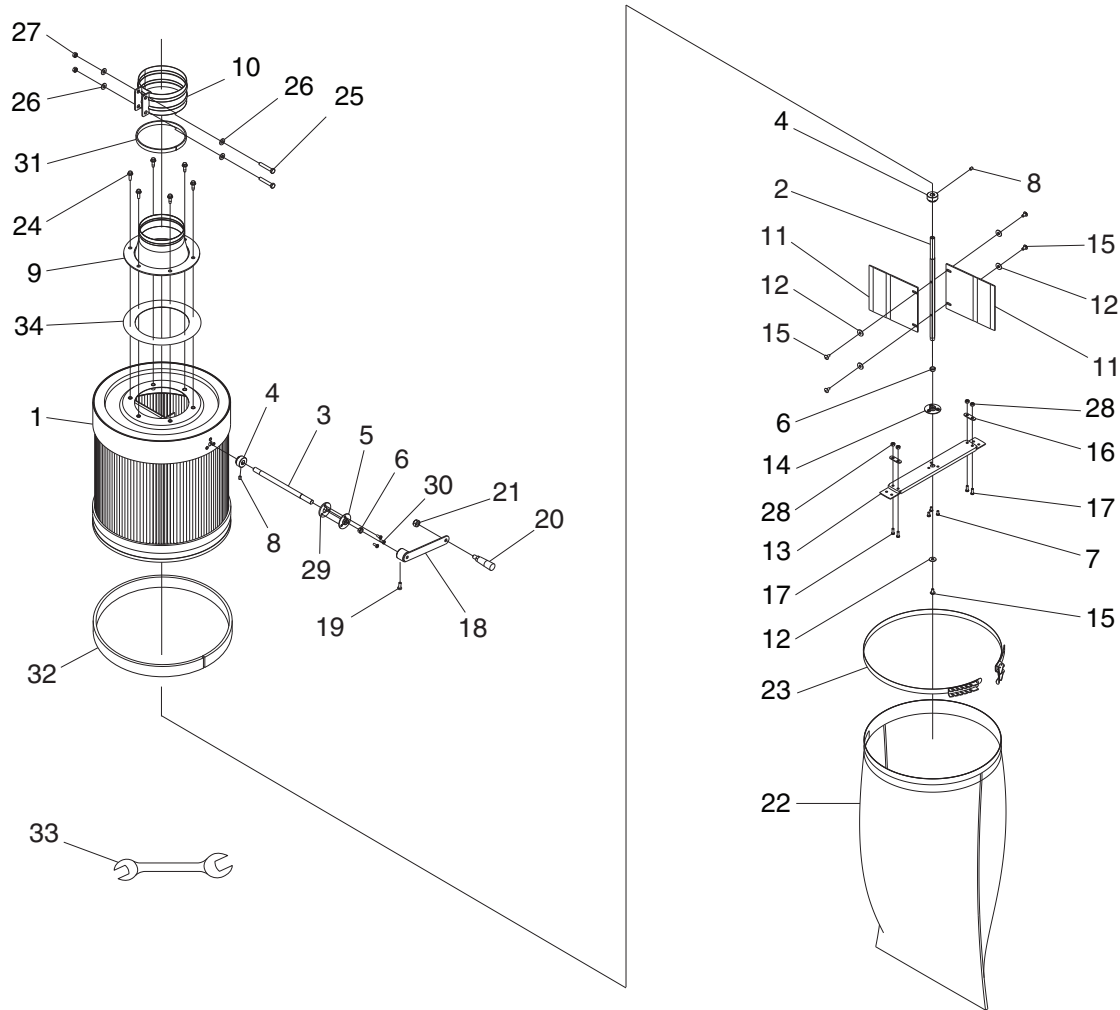


T10877 Parts Breakdown and List



REF	PART #	DESCRIPTION
1	PT10877001	CANISTER FILTER 15" x 16-3/16"
2	PT10877002	MAIN SPINDLE
3	PT10877003	CRANK SPINDLE
4	PT10877004	BEVEL GEAR
5	PT10877005	BEARING PLATE
6	PT10877006	BUSHING
7	PT10877007	PHLP HD SCR M5-.8 X 10
8	PT10877008	SET SCREW 1/4-20 X 5/16
9	PT10877009	COLLECTION FLANGE
10	PT10877010	CONNECTION COLLAR
11	PT10877011	CLEANOUT FLAPPER
12	PT10877012	FLAT WASHER 1/4
13	PT10877013	SPINDLE BRACKET
14	PT10877014	BEARING PLATE
15	PT10877015	PHLP HD SCR M6-1 X 12
16	PT10877016	MOUNTING PLATE
17	PT10877017	PHLP HD SCR M5-.8 X 10

REF	PART #	DESCRIPTION
18	PT10877018	CLEAN-OUT CRANK HANDLE
19	PT10877019	HEX BOLT M6-1 X 16
20	PT10877020	CRANK HANDLE M10-1.5 X 14, 98L
21	PT10877021	LOCK NUT M10-1.5
22	PT10877022	COLLECTION BAG 22-3/4" X 30"
23	PT10877023	BAG CLAMP
24	PT10877024	FLANGE SCREW 1/4-20 X 3/4
25	PT10877025	HEX BOLT 5/16-18 X 2
26	PT10877026	FLAT WASHER 5/16
27	PT10877027	HEX NUT 5/16-18
28	PT10877028	HEX NUT M5-.8
29	PT10877029	GASKET (RUBBER)
30	PT10877030	PHLP HD SCR M5-.8 X 8
31	PT10877031	FLANGE SEAL (FOAM)
32	PT10877032	FILTER SEAL (FOAM)
33	PT10877033	WRENCH 10 X 12MM OPEN-ENDS
34	PT10877034	FLANGE GASKET (FOAM)

Please Note: We do our best to stock replacement parts whenever possible, but we cannot guarantee that all parts shown here are available for purchase. Call (800) 523-4777 or visit our online parts store at www.grizzly.com to check for availability.

