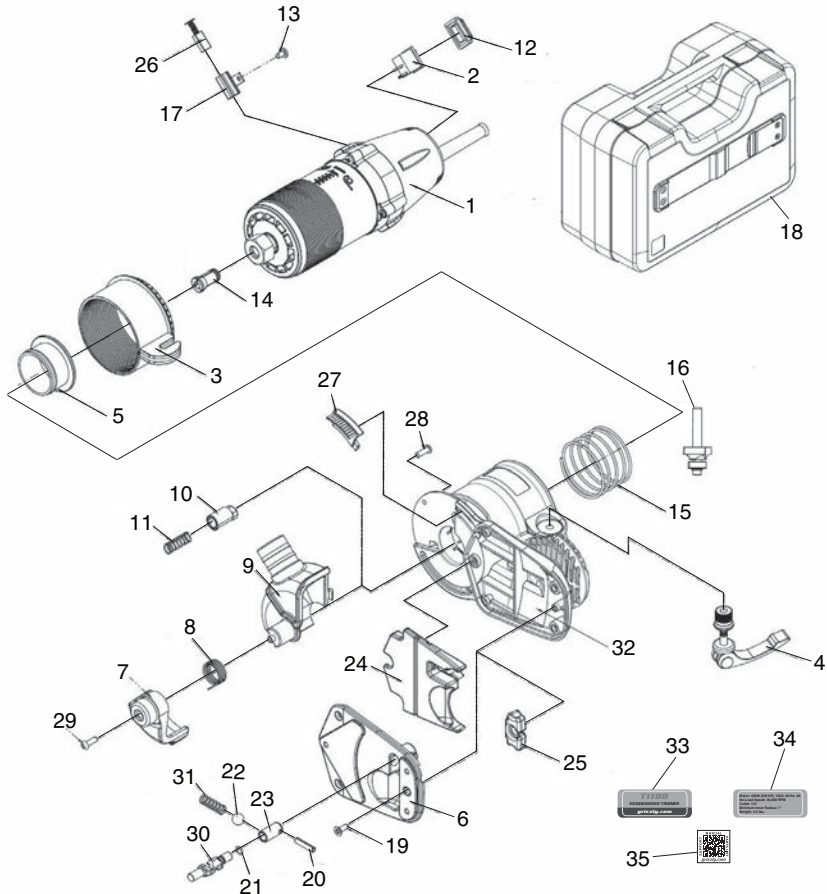


Main Breakdown & Parts List



REF	PART #	DESCRIPTION
1	PT1188001	MOTOR 450W 120V W/CORD 1-15P
2	PT1188002	ON/OFF ROCKER SWITCH
3	PT1188003	SCALE COLLAR
4	PT1188004	QUICK-RELEASE LATCH
5	PT1188005	DUST CHUTE
6	PT1188006	BASE PLATE
7	PT1188007	SAFETY COVER
8	PT1188008	TORSION SPRING 1 X 20
9	PT1188009	DUST HOOD WITH 1" PORT
10	PT1188010	STOP PIN
11	PT1188011	COMPRESSION SPRING 1 X 9 X 25
12	PT1188012	SWITCH COVER
13	PT1188013	TAP SCREW M4 X 6
14	PT1188014	COLLET 1/4"
15	PT1188015	COMPRESSION SPRING
16	PT1188016	ROUTER BIT 1/4" ROUND-OVER
17	PT1188017	CARBON BRUSH HOLDER
18	PT1188018	CARRYING CASE

REF	PART #	DESCRIPTION
19	PT1188019	FLAT HD SCR M4 X 8
20	PT1188020	ROLL PIN 5 X 20
21	PT1188021	O-RING 7.25 X 1.5MM (RUBBER)
22	PT1188022	STEEL BALL 10MM
23	PT1188023	EDGE TOOL SLEEVE
24	PT1188024	INNER LEAD PLATE (LARGE)
25	PT1188025	INNER LEAD PLATE (SMALL)
26	PT1188026	CARBON BRUSH (2-PC SET)
27	PT1188027	EDGE BRUSH
28	PT1188028	TAP SCREW M4 X 10
29	PT1188029	TAP SCREW M4 X 10
30	PT1188030	EDGING TOOL
31	PT1188031	COMPRESSION SPRING
32	PT1188032	MAIN BODY
33	PT1188033	MODEL NUMBER LABEL
34	PT1188034	MACHINE ID LABEL
35	PT1188035	QR CODE