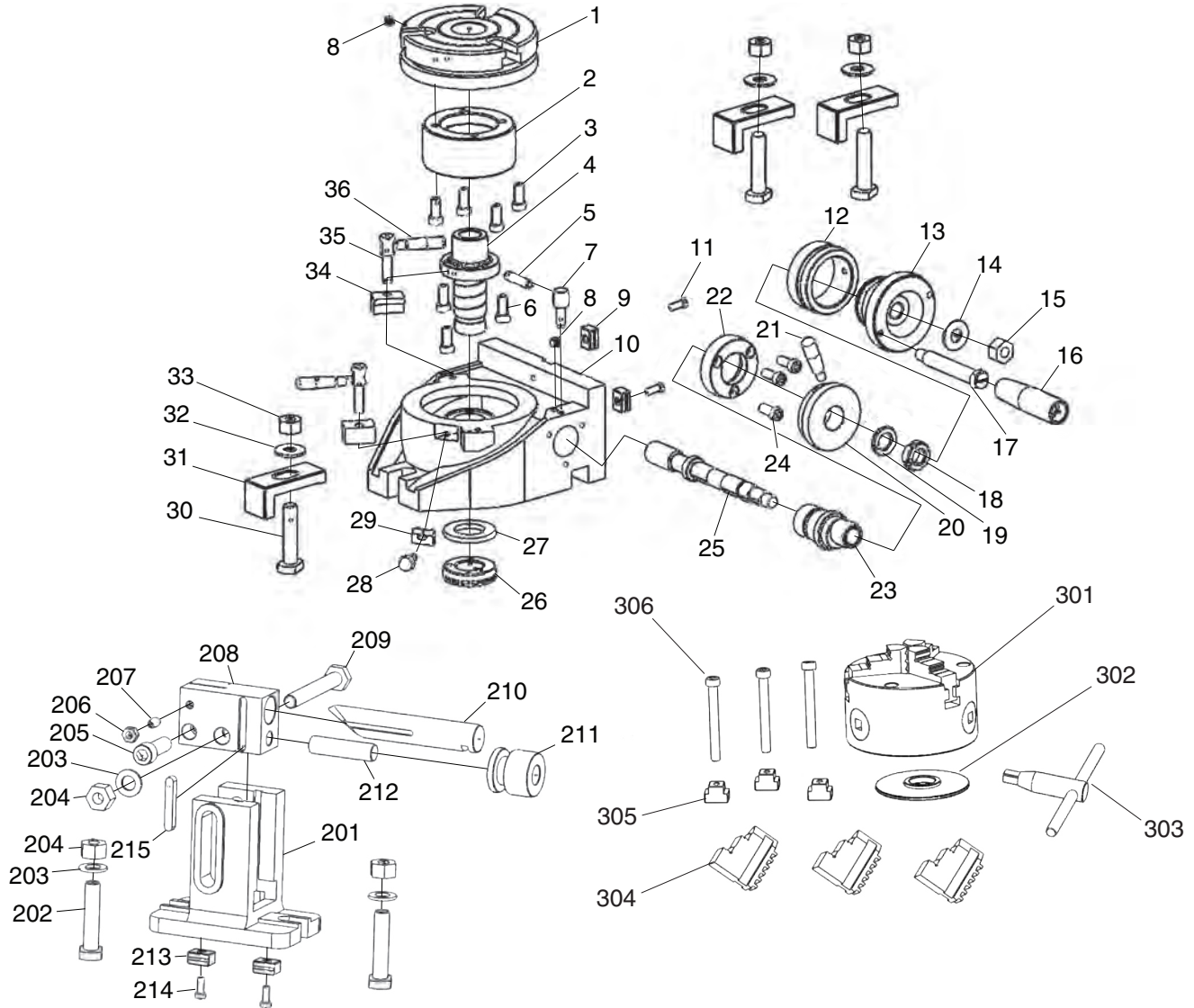


SECTION 6: PARTS

We do our best to stock replacement parts when possible, but we cannot guarantee that all parts shown are available for purchase. Call (800) 523-4777 or visit www.grizzly.com/parts to check for availability.

T1190 Parts Breakdown



T1190 Parts List

| REF | PART # | DESCRIPTION |
|-----|-----------|--------------------------------|
| 1 | PT1190001 | ROTARY TABLE |
| 2 | PT1190002 | WORM WHEEL |
| 3 | PT1190003 | HEX BOLT M5-.8 X 20 |
| 4 | PT1190004 | CENTER SHAFT |
| 5 | PT1190005 | LOCK HANDLE |
| 6 | PT1190006 | HEX BOLT M5-.8 X 12 |
| 7 | PT1190007 | LOCK LEVER |
| 8 | PT1190008 | BALL OILER 6MM |
| 9 | PT1190009 | KEY 16 X 12 X 9 |
| 10 | PT1190010 | ROTARY TABLE BASE |
| 11 | PT1190011 | HEX BOLT M5-.8 X 10 |
| 12 | PT1190012 | GRADUATED DIAL |
| 13 | PT1190013 | HANDWHEEL |
| 14 | PT1190014 | FLAT WASHER 12MM |
| 15 | PT1190015 | HEX NUT M12-1.75 |
| 16 | PT1190016 | FIXED HANDLE M6-1 X 8, 10 X 25 |
| 18 | PT1190018 | WORM SHAFT LOCK NUT M14-2 |
| 19 | PT1190019 | WORM SHAFT DOTTLE PIN |
| 20 | PT1190020 | CLUTCH DISC |
| 21 | PT1190021 | HANDLE M6-1 X 40 |
| 22 | PT1190022 | HANDWHEEL BASE |
| 23 | PT1190023 | ECCENTRIC SLEEVE |
| 24 | PT1190024 | SET SCREW M6-1 X 6 |
| 25 | PT1190025 | WORM SHAFT |
| 26 | PT1190026 | LOCK NUT M24-3 |
| 27 | PT1190027 | THRUST BEARING AS2542 |
| 28 | PT1190028 | KNOB BOLT M5-.8 X 8 |
| 29 | PT1190029 | POINTER |

| REF | PART # | DESCRIPTION |
|-----|-----------|--------------------------------|
| 30 | PT1190030 | T-BOLT M10-1.5 X 50 |
| 31 | PT1190031 | CLAMPING PLATE |
| 32 | PT1190032 | FLAT WASHER 10MM |
| 33 | PT1190033 | HEX NUT M10-1.5 |
| 34 | PT1190034 | LOCK BLOCK |
| 35 | PT1190035 | LOCK SHAFT |
| 36 | PT1190036 | FIXED HANDLE M6-1 X 9, 8 X 21 |
| 37 | PT1190037 | SET SCREW M6-1 X 8 DOG-PT |
| 201 | PT1190201 | TAILSTOCK BASE |
| 202 | PT1190202 | T-BOLT M10-1.5 X 50 |
| 203 | PT1190203 | FLAT WASHER 20MM |
| 204 | PT1190204 | HEX NUT M10-1.5 |
| 205 | PT1190205 | HEX BOLT M10-1.5 X 30 |
| 206 | PT1190206 | HEX NUT M6-1 |
| 207 | PT1190207 | SET SCREW M6-1 X 15 |
| 208 | PT1190208 | TAIL BLOCK |
| 209 | PT1190209 | HEX BOLT M10-1.5 X 80 |
| 210 | PT1190210 | QUILL |
| 211 | PT1190211 | KNOB |
| 212 | PT1190212 | SET SCREW M12-1.75 X 50 |
| 213 | PT1190213 | KEY 16 X 12 X 9 |
| 214 | PT1190214 | HEX BOLT M5-.8 X 10 |
| 301 | PT1190301 | THREE JAW CHUCK |
| 302 | PT1190302 | CONNECTING FLANGE |
| 303 | PT1190303 | CHUCK KEY |
| 304 | PT1190304 | THREE JAW CHUCK BOTTOM JAW SET |
| 305 | PT1190305 | T-NUT M6-1 14 X 18 X 12 |
| 306 | PT1190306 | HEX BOLT M6-1 X 60 |

Please Note: We do our best to stock replacement parts whenever possible, but we cannot guarantee that all parts shown here are available for purchase. Call (800) 523-4777 or visit our online parts store at www.grizzly.com to check for availability.

