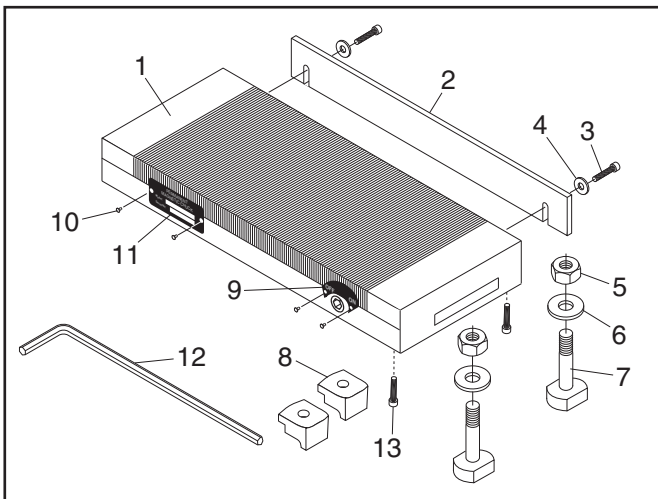


Troubleshooting

Symptom	Possible Cause	Possible Solution
Magnetic chuck does not attract the workpiece.	<ol style="list-style-type: none"> 1. Magnetic field selector not engaged. 2. Workpiece is a non-ferrous material. 3. Selector mechanism faulty. 	<ol style="list-style-type: none"> 1. Turn ON/OFF selector to ON position. 2. Use only materials that are attracted to magnets; use alternative clamping methods. 3. Inspect/replace magnetic chuck.
Holding power is weak.	<ol style="list-style-type: none"> 1. ON/OFF selector is not fully turned to ON position. 2. Chuck surface dirty. 3. Workpiece placed off-center. 4. Workpiece mating surface irregular/has contaminants. 5. Workpiece material not strongly attracted to magnets. 	<ol style="list-style-type: none"> 1. Make sure ON/OFF selector is turned all the way to ON. 2. Clean chuck surface. 3. Keep workpiece centered in chuck. 4. Use holding blocks; clean mating surface before placing on chuck. 5. Use only materials that are attracted to magnets; use alternative clamping methods.
Workpiece cannot be removed from chuck.	<ol style="list-style-type: none"> 1. ON/OFF selector is not fully turned to OFF position. 2. Vacuum lock between chuck and workpiece; residual magnetism between workpiece and chuck. 	<ol style="list-style-type: none"> 1. Make sure ON/OFF selector is turned all the way OFF. 2. Slide workpiece off side of chuck.

Parts Breakdown & List



REF	PART #	DESCRIPTION
1	T1227001	MAGNETIC CHUCK ASSEMBLY (T1227)
1	T1228001	MAGNETIC CHUCK ASSEMBLY (T1228)
1	T1229001	MAGNETIC CHUCK ASSEMBLY (T1229)
2	T1227002	WORK STOP (T1227)
2	T1228002	WORK STOP (T1228)
2	T1229002	WORK STOP (T1227)
3	T1227003	CAP SCREW M6-1 X 12
4	T1227004	FLAT WASHER 6MM
5	T1227005	HEX NUT M12-1.75
6	T1227006	FLAT WASHER 12MM
7	T1227007	T-SLOT BOLT M12-1.75 X 70
8	T1227008	HOLDDOWN
9	T1227009	ON/OFF NAMEPLATE
10	T1227010	RIVET 3 X 10MM NAMEPLATE, STEEL
11	T1227011	TOOL NAMEPLATE
12	T1227012	HEX WRENCH 10MM, LONG SHAFT
13	T1227013	CAP SCREW M6-1 X 25

NOTICE

We do our best to stock replacement parts when possible, but we cannot guarantee that all parts shown are available for purchase. Call (800) 523-4777 or visit www.grizzly.com/parts to check for availability.

PARTS STORE



[grizzly.com](http://www.grizzly.com)

BUY PARTS ONLINE!

Scan QR code with your digital device or visit www.grizzly.com/parts to purchase replacement parts or check pricing and availability.

