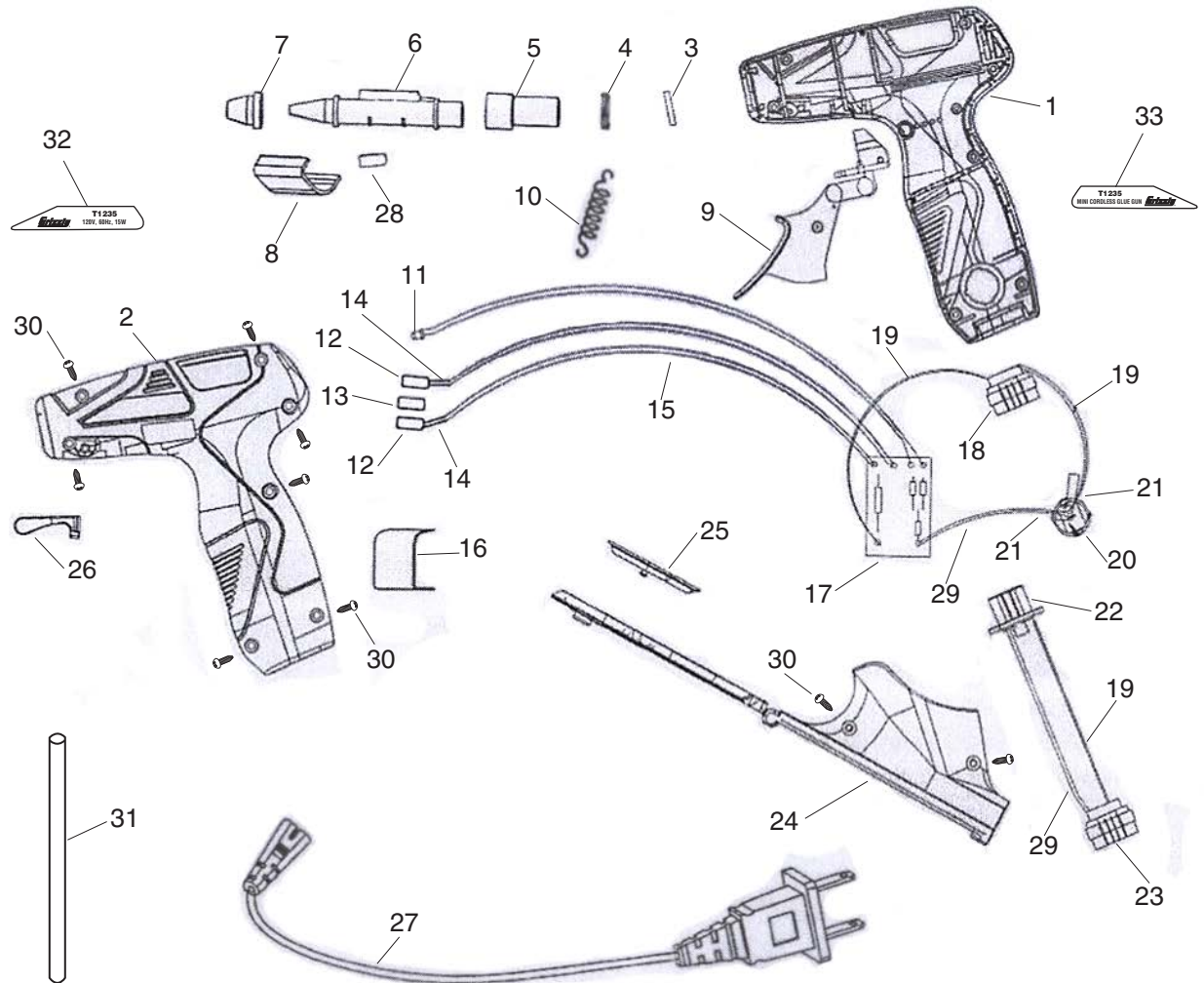


Parts Breakdown & List



REF	PART #	DESCRIPTION
1	PT1235001	GLUE GUN HOUSING (LEFT)
2	PT1235002	GLUE GUN HOUSING (RIGHT)
3	PT1235003	BACK DETENT RING
4	PT1235004	SPRING CLAMP
5	PT1235005	PLASTIC SLEEVE
6	PT1235006	METAL GLUE TUBE
7	PT1235007	SILICON NOZZLE SLEEVE
8	PT1235008	HEATER CLIP
9	PT1235009	TRIGGER
10	PT1235010	TRIGGER SPRING
11	PT1235011	INDICATOR LIGHT
12	PT1235012	HEATER
13	PT1235013	COPPER CONDUCTING STRIP
14	PT1235014	SILICON TUBE
15	PT1235015	WIRES 24G HIGH-TEMP RESISTANT
16	PT1235016	INSULATION FILM
17	PT1235017	CIRCUIT BOARD CY1

REF	PART #	DESCRIPTION
18	PT1235018	POWER CORD SOCKET
19	PT1235019	WIRE 22G BROWN
20	PT1235020	SWITCH LECI RS601H
21	PT1235021	HEAT SHRINK TUBE
22	PT1235022	POWER CORD COUPLER
23	PT1235023	POWER CORD SOCKET
24	PT1235024	DOCKING POWER BASE
25	PT1235025	GLUE SPILL BOWL
26	PT1235026	PLASTIC STAND
27	PT1235027	POWER CORD 18G 2W 60" 1-15P
28	PT1235028	HEATER CLIP SPACER
29	PT1235029	WIRE 22G BLUE
30	PT1235030	TRI-WING TAP SCREW M2.9 X 10
31	PT1235031	MINI GLUE STICK 0.28"
32	PT1235032	TOOL ID LABEL (RIGHT)
33	PT1235033	TOOL ID LABEL (LEFT)

