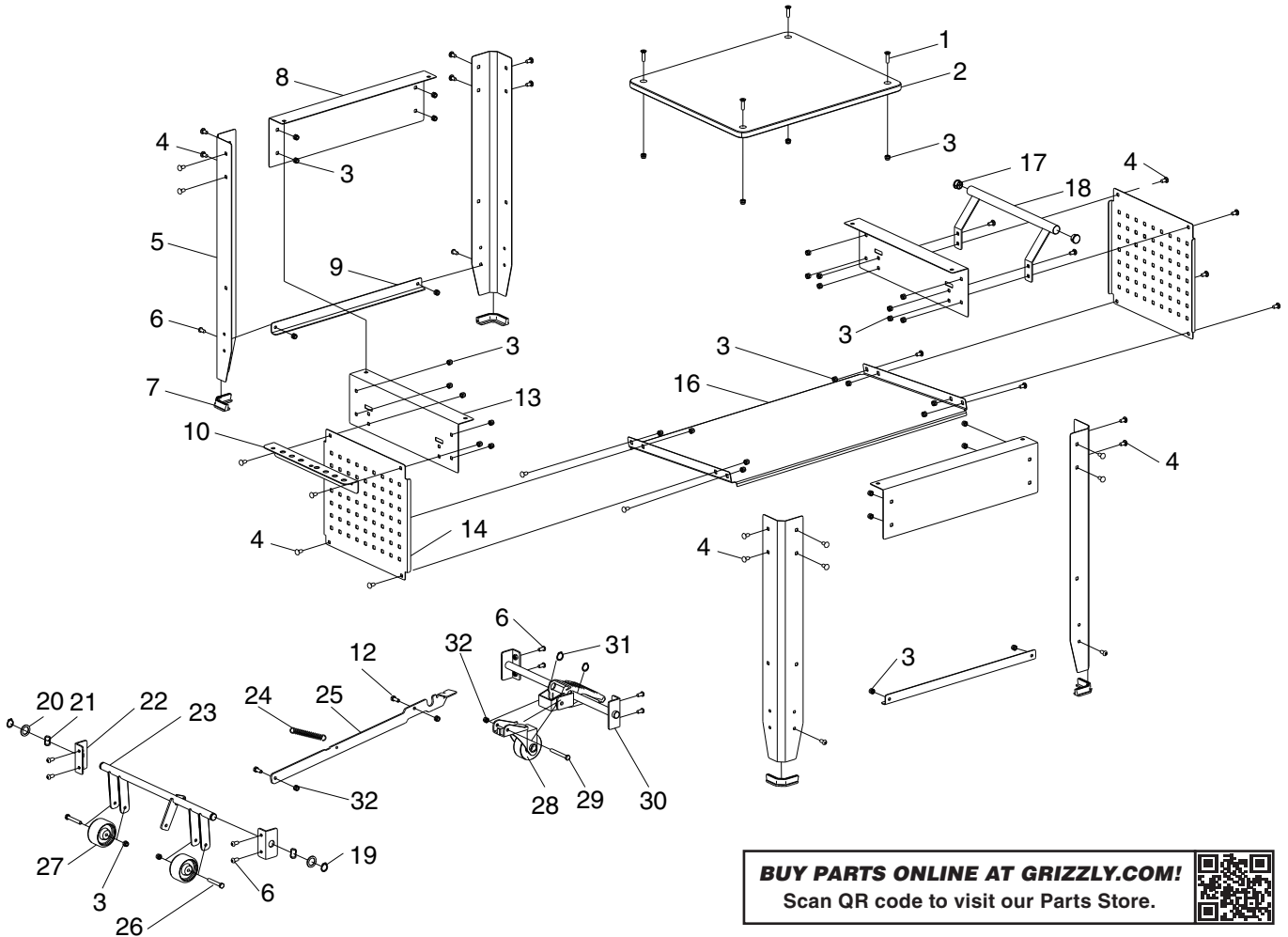


Parts Breakdown & List



BUY PARTS ONLINE AT GRIZZLY.COM!
Scan QR code to visit our Parts Store.



REF	PART #	DESCRIPTION
1	PT1238001	FLAT HD SCR M8-1.25 X 30
2	PT1238002	TABLE TOP
3	PT1238003	FLANGE NUT M8-1.25
4	PT1238004	CARRIAGE BOLT M8-1.25 X 16
5	PT1238005	STAND LEG
6	PT1238006	BUTTON HD CAP SCR M8-1.25 X 16
7	PT1238007	FOOT PAD
8	PT1238008	UPPER BRACE (FRONT & BACK)
9	PT1238009	LOWER BRACE
10	PT1238010	TOOL HOLDER
12	PT1238012	HEX BOLT M8-1.25 X 20
13	PT1238013	UPPER BRACE (LEFT & RIGHT)
14	PT1238014	SIDE PANEL
16	PT1238016	SHELF
17	PT1238017	HANDLE CAP

REF	PART #	DESCRIPTION
18	PT1238018	HANDLE
19	PT1238019	EXT RETAINING RING 20MM
20	PT1238020	FLAT WASHER 20MM
21	PT1238021	LOCK WASHER 20MM
22	PT1238022	SUPPORT FRAME
23	PT1238023	REAR ROLLER LEVER
24	PT1238024	EXTENSION SPRING
25	PT1238025	LINKAGE BAR/PEDAL
26	PT1238026	HEX BOLT M8-1.25 X 55
27	PT1238027	RUBBER WHEEL
28	PT1238028	CASTER
29	PT1238029	HEX BOLT M8-1.25 X 70
30	PT1238030	PEDAL ASSEMBLY
31	PT1238031	EXT RETAINING RING 20MM
32	PT1238032	LOCK NUT M8-1.25

Please Note: We do our best to stock replacement parts whenever possible, but we cannot guarantee that all parts shown here are available for purchase. Call (800) 523-4777 or visit our online parts store at www.grizzly.com to check for availability.



Labels & Cosmetics



REF	PART #	DESCRIPTION
40	PT1238040	NOTICE LABEL
41	PT1238041	GRIZZLY INDUSTRIAL LABEL
42	PT1238042	QR CODE LABEL

REF	PART #	DESCRIPTION
43	PT1238043	CAUTION LABEL
44	PT1238044	GRIZZLY.COM LABEL
45	PT1238045	TOUCH-UP PAINT, GLOSSY BLACK

⚠ WARNING

Safety labels help reduce the risk of serious injury caused by machine hazards. If any label comes off or becomes unreadable, the owner of this machine **MUST** replace it in the original location before resuming operations. For replacements, contact (800) 523-4777 or www.grizzly.com.

