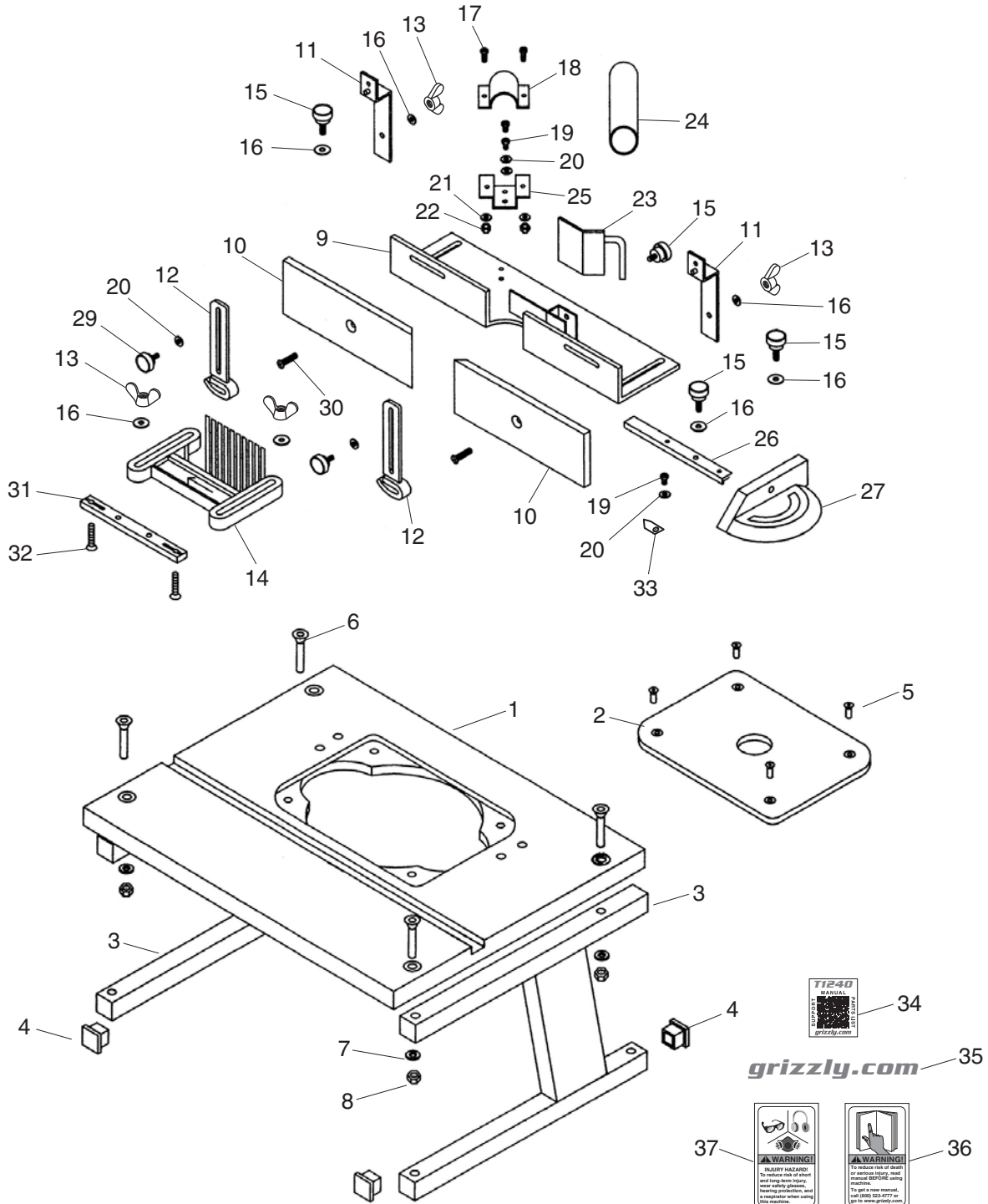


# SECTION 7: PARTS

We do our best to stock replacement parts when possible, but we cannot guarantee that all parts shown are available for purchase. Call **(800) 523-4777** or visit **www.grizzly.com/parts** to check for availability.

## Main



# Main Parts List

REF	PART #	DESCRIPTION
1	PT1240001	TABLE
2	PT1240002	MOUNTING PLATE
3	PT1240003	TABLE LEG
4	PT1240004	RUBBER PLUG
5	PT1240005	FLAT HD SCR M6-1 X 16
6	PT1240006	FLAT HD SCR M8-1.25 X 50
7	PT1240007	FLAT WASHER 8MM
8	PT1240008	HEX NUT M8-1.25
9	PT1240009	FENCE ASSEMBLY
10	PT1240010	FENCE BOARD
11	PT1240011	HOLDDOWN BRACKET
12	PT1240012	HOLDDOWN
13	PT1240013	WING NUT M6-1
14	PT1240014	FEATHERBOARD
15	PT1240015	KNOB BOLT M6-1 X 15
16	PT1240016	FENDER WASHER 6MM
17	PT1240017	PHLP HD SCR M6-1 X 12
18	PT1240018	DUST PORT CLAMP (UPPER)

REF	PART #	DESCRIPTION
19	PT1240019	PHLP HD SCR M5-.8 X 6
20	PT1240020	FLAT WASHER 5MM
21	PT1240021	FLAT WASHER 6MM
22	PT1240022	HEX NUT M6-1
23	PT1240023	ROUTER BIT GUARD
24	PT1240024	DUST PORT 1.5"
25	PT1240025	DUST PORT CLAMP (LOWER)
26	PT1240026	MITER GAUGE RAIL
27	PT1240027	MITER GAUGE
29	PT1240029	KNOB BOLT M5-.8 X 12
30	PT1240030	FLAT HD SCR M6-1 X 30
31	PT1240031	SLOT GUIDE
32	PT1240032	LOCKING SCR M6-1 X 30
33	PT1240033	MITER GAUGE POINTER
34	PT1240034	QR CODE LABEL
35	PT1240035	GRIZZLY.COM LABEL
36	PT1240036	READ MANUAL LABEL
37	PT1240037	PERSONAL PROTECTION LABEL

## WARNING

Safety labels warn about machine/tool hazards and ways to prevent injury. The owner of this machine/tool **MUST** maintain the original location and readability of the labels on the machine/tool. If any label is removed or becomes unreadable, **REPLACE** that label before using the machine/tool again. Contact Grizzly at (800) 523-4777 or [www.grizzly.com](http://www.grizzly.com) to order new labels.

