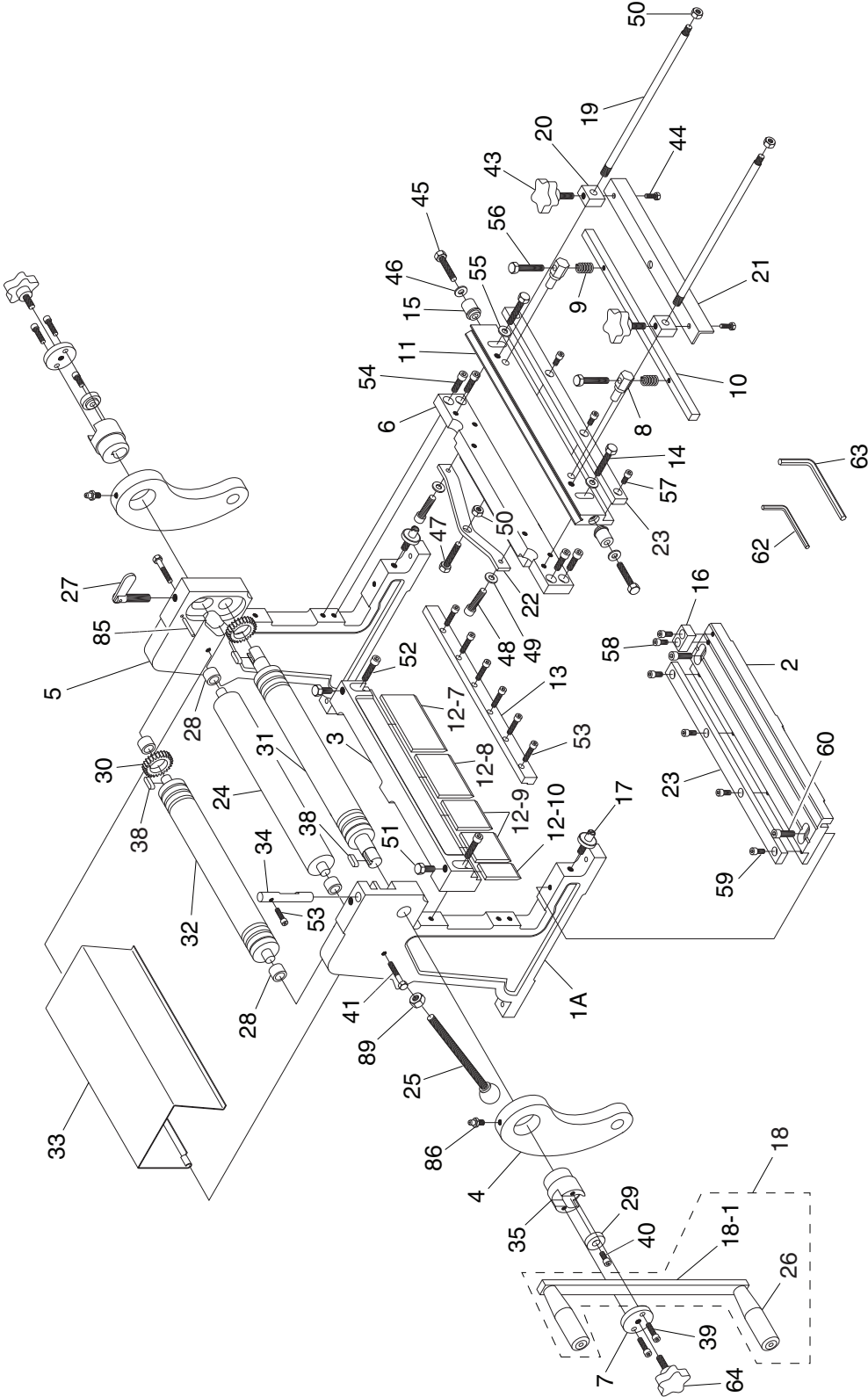


SECTION 7: PARTS

Main Breakdown



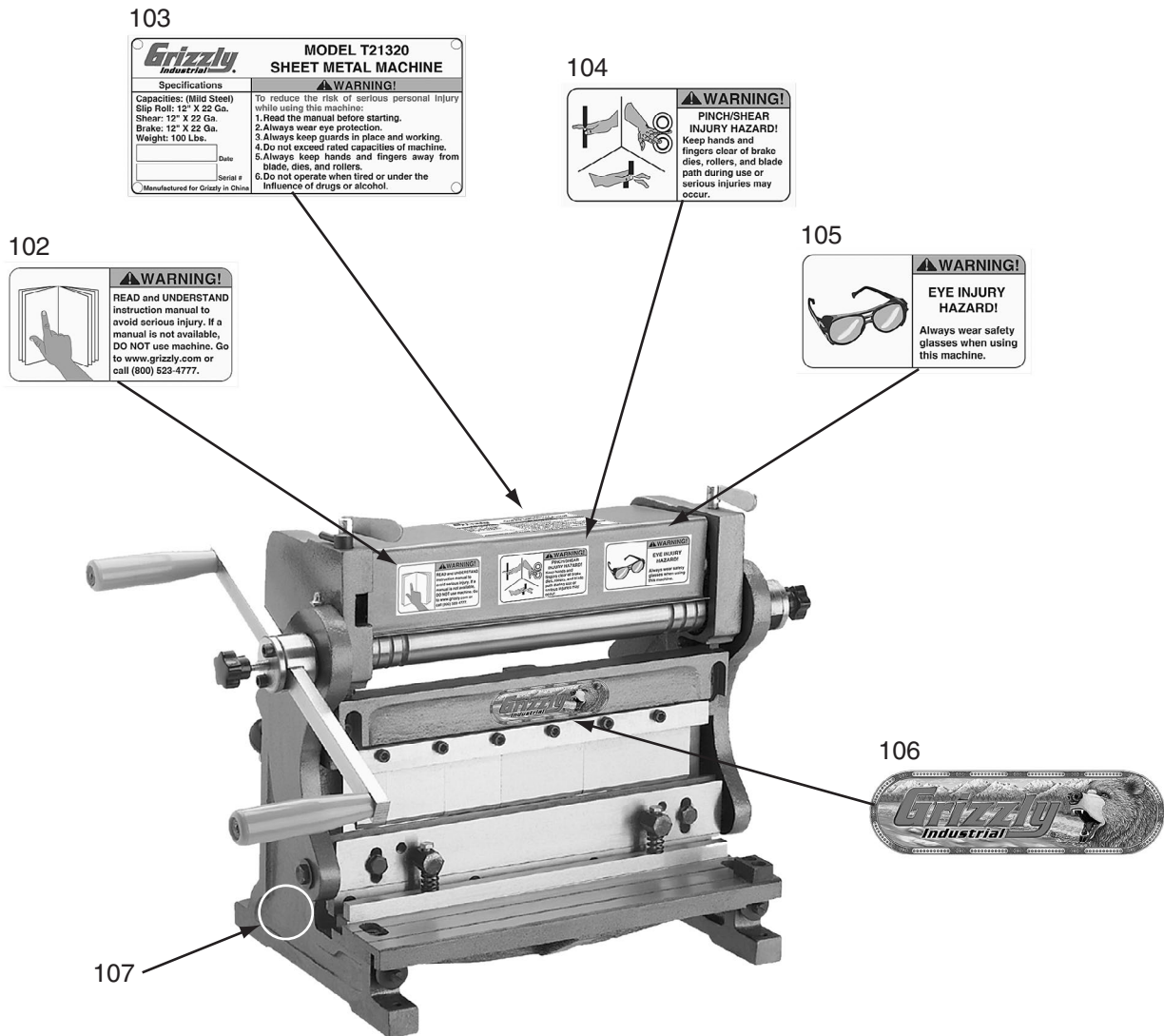
Main Parts List

REF	PART #	DESCRIPTION
1A	PT21320001A	LEFT FRAME V2.12.06
2	PT21320002	SHEARING TABLE
3	PT21320003	TOP CROSSBEAM
4	PT21320004	CRANK ARM
5	PT21320005	RIGHT FRAME V2.03.99
6	PT21320006	BOTTOM CROSSBEAM
7	PT21320007	CRANK HUB END CAP
8	PT21320008	HOLDDOWN STUD
9	PT21320009	COMPRESSION SPRING
10	PT21320010	HOLDDOWN BAR
11	PT21320011	FINGER RECEIVER
12-7	PT21320012-7	BRAKE FINGER 4"
12-8	PT21320012-8	BRAKE FINGER 3"
12-9	PT21320012-9	BRAKE FINGER 2"
12-10	PT21320012-10	BRAKE FINGER 1"
13	PT21320013	FINGER GIB
14	PB126M	HEX BOLT M8-1.25 X 40
15	PT21320015	BUSHING
16	PT21320016	GUIDE BLOCK
17	PT21320017	TABLE ADJUSTMENT SCREW
18	PT21320018	HAND CRANK ASSEMBLY
18-1	PT21320018-1	HAND CRANK BAR
19	PT21320019	WORK STOP ROD
20	PT21320020	STOP BLOCK
21	PT21320021	WORK STOP PLATE
22	PT21320022	BLADE BOW
23	PT21320023	SHEAR BLADE
24	PT21320024	REAR SLIP ROLLER
25	PT21320025	DIAMETER ADJUSTMENT SCREW
26	PT21320026	HAND CRANK KNOB
27	PT21320027	THICKNESS LEAF BOLT
28	PT21320028	ROLLER BUSHING
29	PT21320029	CRANK HUB RETAINER
30	PT21320030	ROLLER GEAR

REF	PART #	DESCRIPTION
31	PT21320031	BOTTOM SLIP ROLLER
32	PT21320032	TOP SLIP ROLLER
33	PT21320033	SLIP ROLLER COVER
34	PT21320034	TOP ROLLER RETAINER PIN
35	PT21320035	HAND CRANK HUB
38	PK07M	KEY 6 X 6 X 20
39	PSB01M	CAP SCREW M6-1 X 16
40	PSB68M	CAP SCREW M6-1 X 8
41	PB05M	HEX BOLT M6-1 X 8
43	PT21320043	STAR KNOB
44	PB05M	HEX BOLT M6-1 X 8
45	PB126M	HEX BOLT M8-1.25 X 40
46	PW01M	FLAT WASHER 8MM
47	PB126M	HEX BOLT M8-1.25 X 40
48	PSB31M	CAP SCREW M8-1.25 X 25
49	PW01M	FLAT WASHER 8MM
50	PN03M	HEX NUT M8-1.25
51	PB70M	HEX BOLT M10-1.5 X 16
52	PCAP31M	CAP SCREW M8-1.25 X 25
53	PSB69M	CAP SCREW M6-1 X 24
54	PSB11M	CAP SCREW M8-1.25 X 16
55	PW01M	FLAT WASHER 8MM
56	PB71M	HEX BOLT M6-1 X 45
57	PSB04M	CAP SCREW M6-1 X 10
58	PSB04M	CAP SCREW M6-1 X 10
59	PSB04M	CAP SCREW M6-1 X 10
60	PSB14M	CAP SCREW M8-1.25 X 20
62	PAW05M	HEX WRENCH 5MM
63	PAW06M	HEX WRENCH 6MM
64	PT21320064	CRANK HANDLE LOCK KNOB
85	PT21320085	SLIP COVER STOP PIN
86	PT21320086	GREASE FITTING 5/16" X 3/16"
89	PN02M	HEX NUT M10-1.5



Label Placement



REF	PART #	DESCRIPTION
102	PLABEL-12D	READ MANUAL LABEL
103	PT21320103	MACHINE ID LABEL
104	PT21320104	PINCH/Shear HAZARD LABEL

REF	PART #	DESCRIPTION
105	PLABEL-11D	EYE INJURY HAZARD LABEL
106	PA17663D	GRIZZLY LOGO LABEL
107	PPAINT-1	GRIZZLY GREEN TOUCH-UP PAINT

WARNING

Safety labels warn about machine hazards and ways to prevent injury. The owner of this machine **MUST** maintain the original location and readability of the labels on the machine. If any label is removed or becomes unreadable, **REPLACE** that label before using the machine again. Contact Grizzly at (800) 523-4777 or www.grizzly.com to order new labels.

