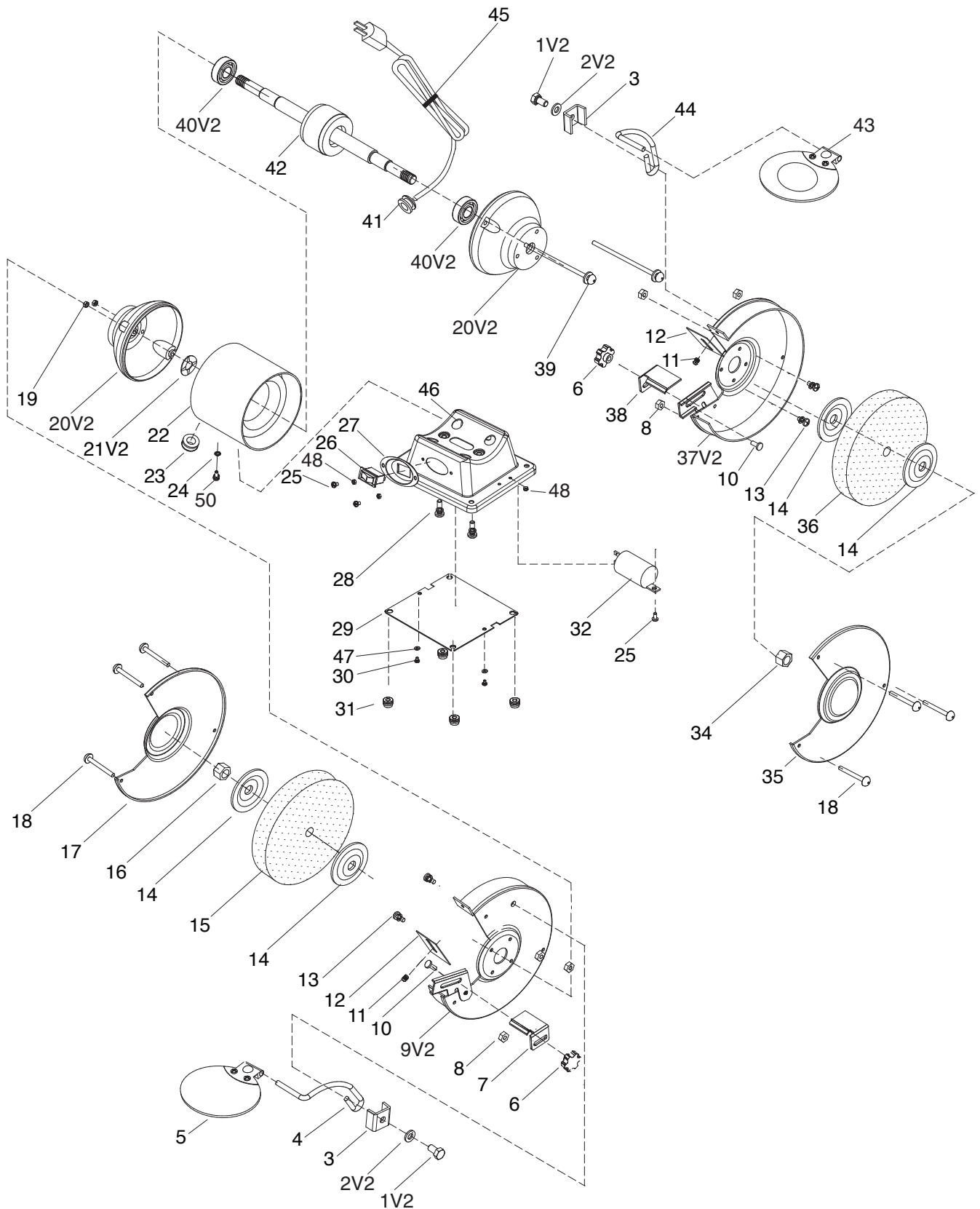


T24464 Breakdown



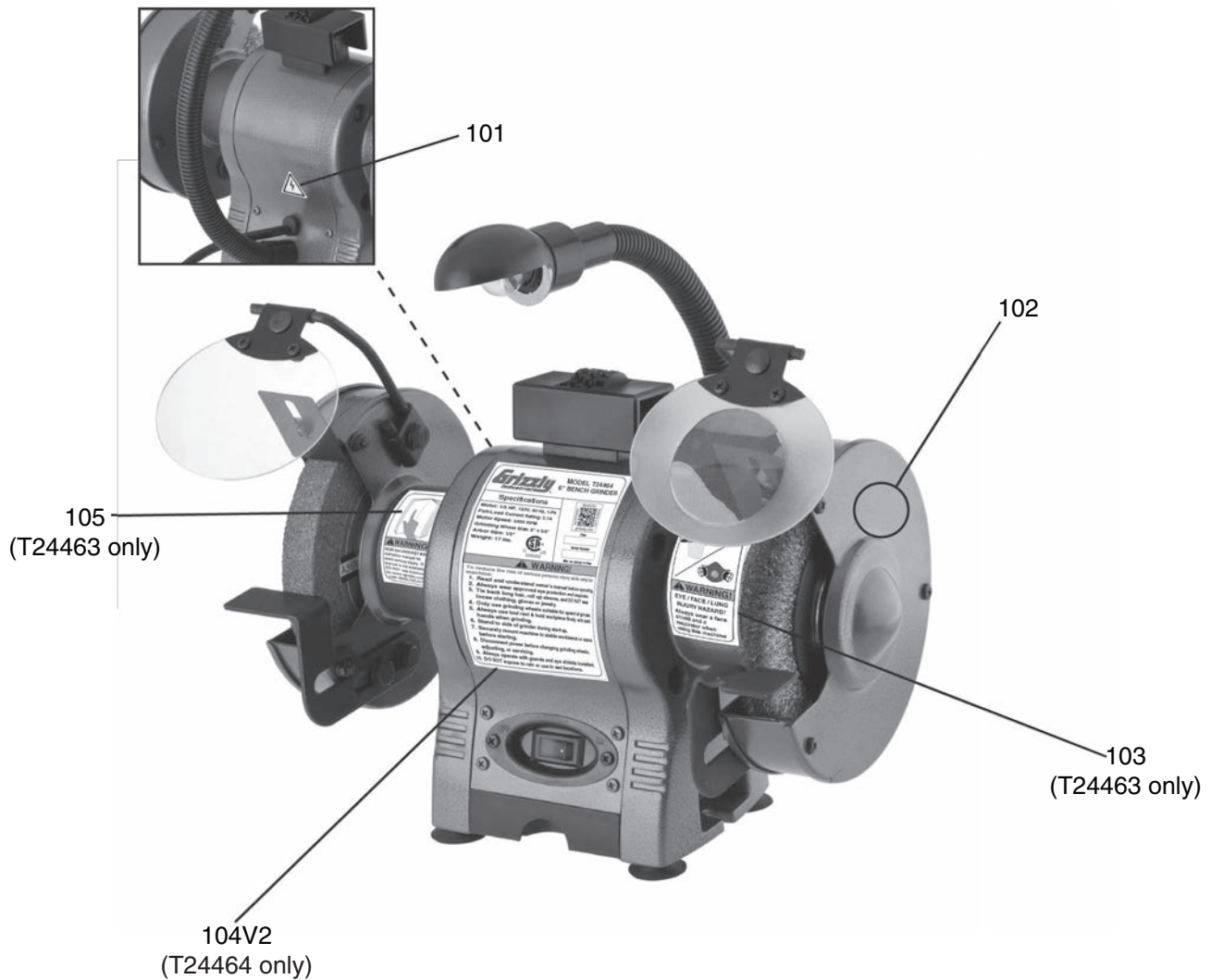
T24464 Parts List

REF	PART #	DESCRIPTION
1V2	PT24464001V2	HEX BOLT M6-1 X 15
2V2	PT24464002V2	FLAT WASHER 6MM
3	PT24464003	BRACKET
4	PT24464004	LEFT SAFETY SHIELD SUPPORT
5	PT24464005	PLATE SAFETY SHIELD ASSY
6	PT24464006	STAR KNOB M6-1 6PT
7	PT24464007	LEFT TOOL REST
8	PT24464008	HEX NUT M5-.8
9V2	PT24464009V2	LEFT WHEEL GUARD V2.12.15
10	PT24464010	CARRIAGE BOLT M6-1 X 14
11	PT24464011	PHLP HD SCR M5-.8 X 10
12	PT24464012	SPARK DEFLECTOR
13	PT24464013	PHLP HD SCR M5-.8 X 10
14	PT24464014	WHEEL FLANGE
15	PT24464015	GRINDING WHEEL 6 X 3/4 X 1/2 36-GRIT
16	PT24464016	HEX NUT M12-1.75
17	PT24464017	LEFT WHEEL COVER
18	PT24464018	PHLP HD SCR M5-.8 X 40
19	PT24464019	FLANGE HEX NUT M4-.7
20V2	PT24464020V2	END BELL V2.12.15
21V2	PT24464021V2	DISC SPRING 34.5MM V2.12.15
22	PT24464022	STATOR
23	PT24464023	CORD GROMMET
24	PT24464024	LOCK WASHER 4MM

REF	PART #	DESCRIPTION
25	PT24464025	PHLP HD SCR M4-.7 X 8
26	PT24464026	SWITCH KTL T85 120V
27	PT24464027	SWITCH PLATE
28	PT24464028	PHLP HD SCR M4-.7 X 8
29V2	PT24464029V2	BOTTOM PLATE V2.12.15
30	PT24464030	PHLP HD SCR M5-.8 X 8
31	PT24464031	RUBBER FOOT
32V2	PT24464032V2	R CAPACITOR 8M 300V V2.12.15
34	PT24464034	HEX NUT M12-1.75
35	PT24464035	RIGHT WHEEL COVER
36	PT24464036	GRINDING WHEEL 6 X 3/4 X 1/2 60-GRIT
37V2	PT24464037V2	RIGHT WHEEL GUARD V2.12.15
38	PT24464038	RIGHT TOOL REST
39	PT24464039	PHLP HD SCR M4-.7 X 118
40V2	PT24464040V2	BALL BEARING 6202ZZ
41	PT24464041	CORD CLIP
42	PT24464042	ROTOR
43	PT24464043	MAGNIFIED SAFETY SHIELD ASSY
44	PT24464044	RIGHT SAFETY SHIELD SUPPORT
45	PT24464045	POWER CORD 16G 3W 78" 5-15
46	PT24464046	BASE
48	PT24464048	FLANGE HEX NUT M4-.7
49	PT24464049	FLAT WASHER 5MM
50	PT24464050	PHLP HD SCR M4-.7 X 8



T24463/T24464 Labels



REF	PART #	DESCRIPTION
101	PT24463101	ELECTRICITY LABEL 0.7W X 0.6H
102	PT24463102	GRIZZLY GREEN TOUCH-UP PAINT
103	PT24463103	FACE SHIELD/RESPIRATOR 1.5W X 2.5H

REF	PART #	DESCRIPTION
104	PT24463104	MACHINE ID LABEL
104V2	PT24464104V2	MACHINE ID LABEL V2.02.16
105	PT24463105	READ MANUAL 1.5W X 2.5H

⚠️ WARNING

Safety labels help reduce the risk of serious injury caused by machine hazards. If any label comes off or becomes unreadable, the owner of this machine **MUST** replace it in the original location before resuming operations. For replacements, contact (800) 523-4777 or www.grizzly.com.

