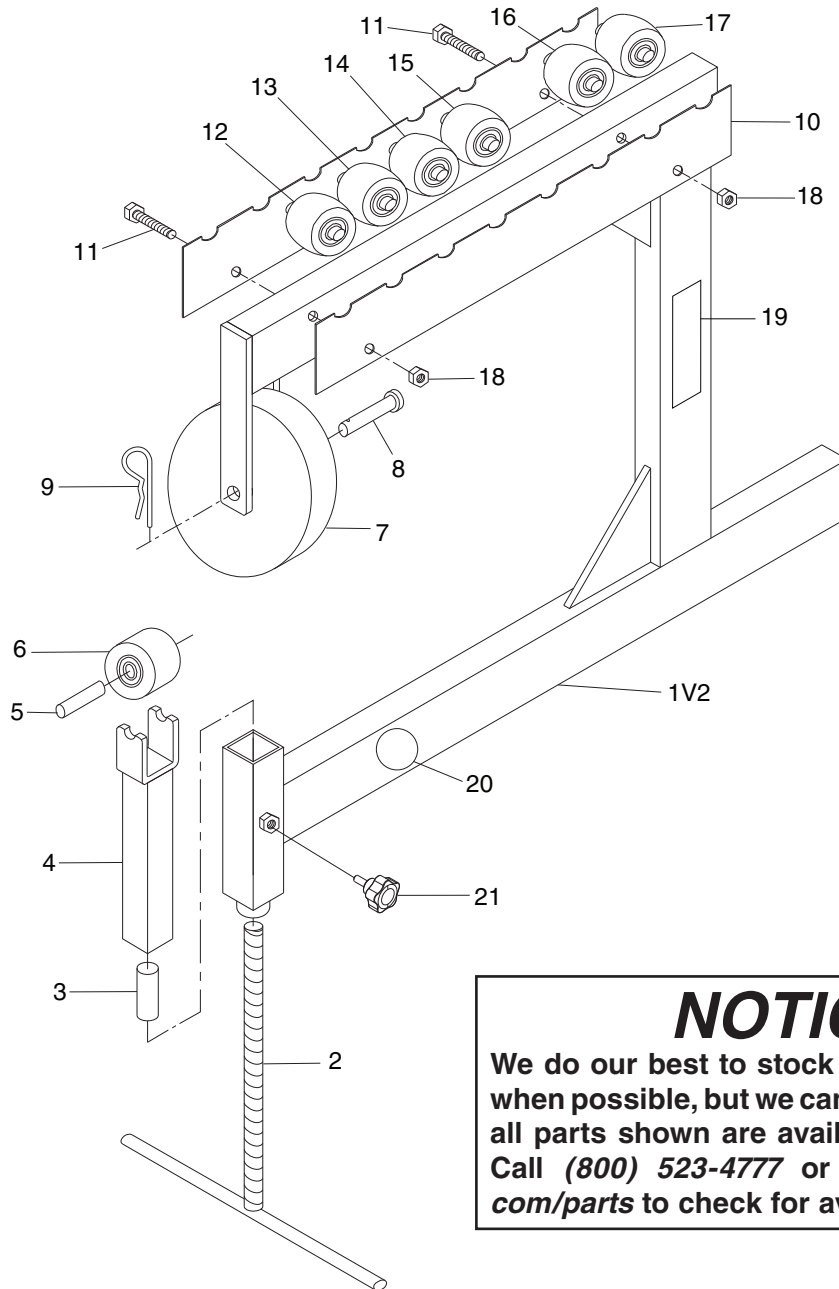


# SECTION 7: PARTS



## NOTICE

We do our best to stock replacement parts when possible, but we cannot guarantee that all parts shown are available for purchase. Call (800) 523-4777 or visit [www.grizzly.com/parts](http://www.grizzly.com/parts) to check for availability.

REF	PART #	DESCRIPTION
1V2	PT25101001V2	FRAME V2.02.19
2	PT25101002	LOWER WHEEL ADJ SCREW
3	PT25101003	BRACKET SPACER ROD
4	PT25101004	LOWER WHEEL BRACKET
5	PT25101005	LOWER WHEEL AXLE ROD
6	PT25101006	FLAT LOWER WHEEL
7	PT25101007	UPPER WHEEL
8	PT25101008	UPPER WHEEL CAPTIVE PIN
9	PT25101009	HAIRPIN COTTER PIN 3/8 X 1-7/8
10	PT25101010	WHEEL STORAGE RACK
11	PT25101011	HEX BOLT 1/4-20 X 1-1/4

REF	PART #	DESCRIPTION
12	PT25101012	LOWER WHEEL 1/2" RADIUS
13	PT25101013	LOWER WHEEL 1" RADIUS
14	PT25101014	LOWER WHEEL 1-1/2" RADIUS
15	PT25101015	LOWER WHEEL 2-1/2" RADIUS
16	PT25101016	LOWER WHEEL 5" RADIUS
17	PT25101017	LOWER WHEEL 9" RADIUS
18	PT25101018	HEX NUT 1/4-20
19	PT25101019	MACHINE ID LABEL
20	PT25101020	TOUCH-UP PAINT, GRIZZLY GREEN
21	PT25101021	KNOB BOLT M8-1.25 X 20, 5-LOBE

