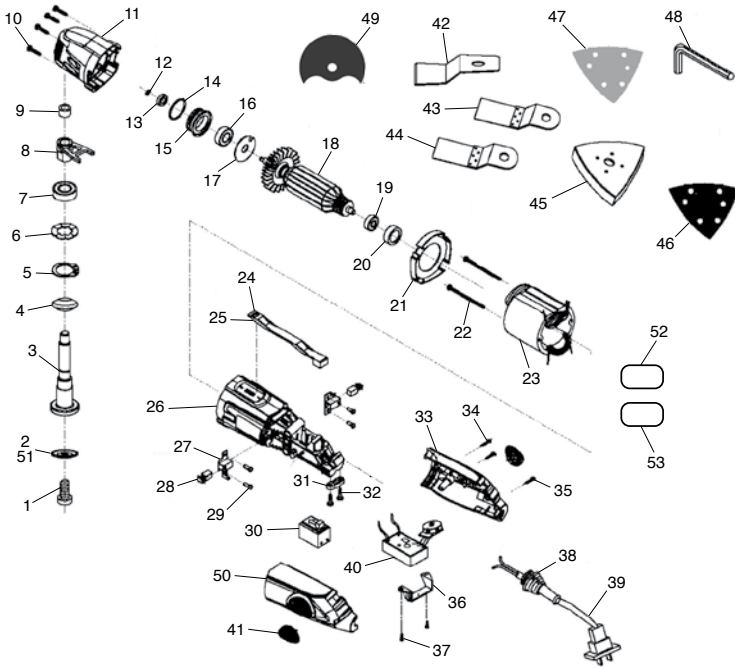


# SECTION 8: PARTS



REF PART #	DESCRIPTION
1	PT25227001 CAP SCREW M8-1.25 X 12
2	PT25227002 MOUNTING WASHER 26MM
3	PT25227003 SPINDLE
4	PT25227004 BUSHING (RUBBER)
5	PT25227005 EXT RETAINING RING 26MM
6	PT25227006 SPLINE LOCK WASHER
7	PT25227007 BALL BEARING 6000ZZ
8	PT25227008 OSCILLATING FORK
9	PT25227009 BUSHING (BRONZE)
10	PT25227010 PHLP HD SCR M4-.7 X 30
11	PT25227011 FRONT HOUSING
12	PT25227012 EXT RETAINING RING 5MM
13	PT25227013 BALL BEARING 625ZZ
14	PT25227014 GASKET
15	PT25227015 BEARING SEAT
16	PT25227016 BALL BEARING 608ZZ
17	PT25227017 OSCILLATING RING
18	PT25227018 ARMATURE
19	PT25227019 BALL BEARING 607ZZ
20	PT25227020 BEARING SEAT (RUBBER)
21	PT25227021 STATOR MOUNT
22	PT25227022 PHLP HD SCR M4-.7 X 50
23	PT25227023 STATOR
24	PT25227024 BRACE
25	PT25227025 CONNECTION LINK
26	PT25227026 MIDDLE HOUSING
27	PT25227027 MOTOR BRUSH HOLDER

REF PART #	DESCRIPTION
28	PT25227028 MOTOR CARBON BRUSH 2-PC SET
29	PT25227029 RIVET
30	PT25227030 ON/OFF SWITCH
31	PT25227031 CORD CLIP
32	PT25227032 PHLP HD SCR M4-.7 X 14
33	PT25227033 REAR HOUSING (RH)
34	PT25227034 PHLP HD SCR M4-.7 X 25
35	PT25227035 PHLP HD SCR M4-.7 X 22
36	PT25227036 RHEOSTAT BRACKET
37	PT25227037 PHLP HD SCR M3-.5 X 8
38	PT25227038 CORD STRAIN RELIEF
39	PT25227039 POWER CORD 18G 2C 48" 1-15P
40	PT25227040 RHEOSTAT ASSEMBLY
41	PT25227041 VENT SCREEN
42	PT25227042 SCRAPER TOOL
43	PT25227043 SAW BLADE FOR WOOD
44	PT25227044 SAW BLADE FOR METAL
45	PT25227045 SANDING PLATEN ATTACHMENT
46	PT25227046 RED SANDING PAD
47	PT25227047 WHITE SANDING PAD
48	PT25227048 HEX WRENCH 6MM
49	PT25227049 RADIAL SAW BLADE
50	PT25227050 REAR HOUSING (LH)
51	PT25227051 MOUNTING WASHER 18MM
52	PT25227052 ID LABEL
53	PT25227053 GRIZZLY LOGO LABEL