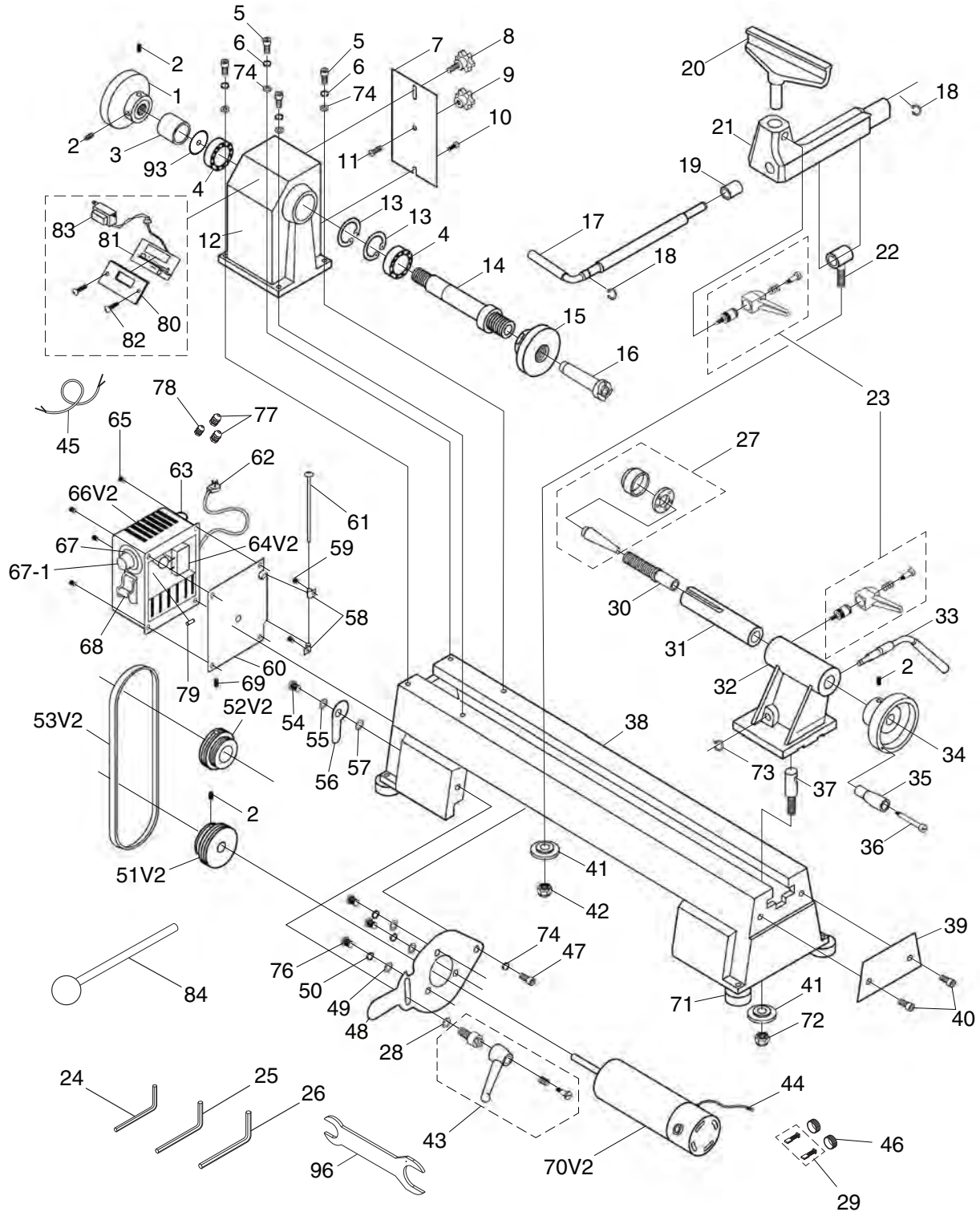


SECTION 9: PARTS

Please Note: We do our best to stock replacement parts whenever possible, but we cannot guarantee that all parts shown here are available for purchase. Call (800) 523-4777 or visit our online parts store at www.grizzly.com to check for availability.

Main

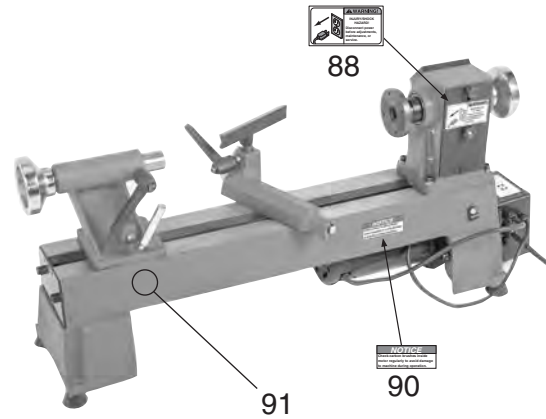
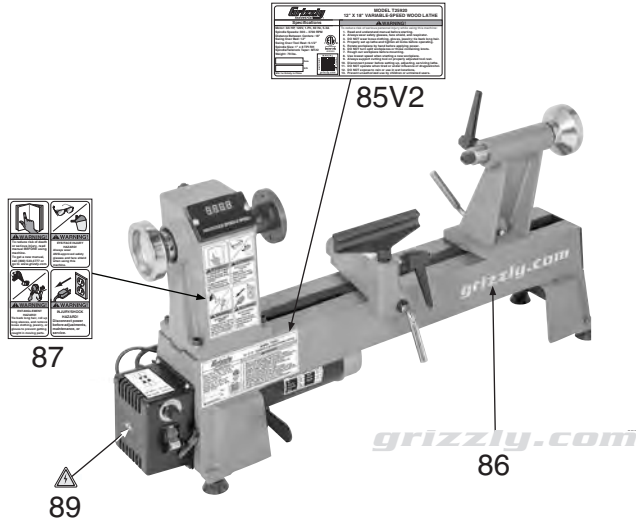


Main Parts List

REF	PART #	DESCRIPTION	REF	PART #	DESCRIPTION
1	PT25920001	HANDWHEEL 82MM X M18-2.5 LH BORE	44	PT25920044	MOTOR CORD 18G 3W 16"
2	PT25920002	SET SCREW M6-1 X 12	45	PT25920045	SWITCH CORD 18G 3W 22"
3	PT25920003	COLLAR SPINDLE	46	PT25920046	MOTOR CARBON BRUSH CAP
4	PT25920004	BALL BEARING 6005-2RS	47	PT25920047	CAP SCREW M8-1.25 X 12
5	PT25920005	CAP SCREW M8-1.25 X 25	48	PT25920048	MOTOR MOUNT PLATE
6	PT25920006	LOCK WASHER 8MM	49	PT25920049	FLAT WASHER 6MM
7	PT25920007	REAR BELT ACCESS DOOR	50	PT25920050	LOCK WASHER 6MM
8	PT25920008	THUMB SCREW M5-.8 X 9	51V2	PT25920051V2	MOTOR PULLEY V2.01.20
9	PT25920009	STATIONARY KNOB M5-.8	52V2	PT25920052V2	DRIVE PULLEY V2.01.20
10	PT25920010	SHOULDER SCREW M5-.8 X 7, 2	53V2	PT25920053V2	POLY V-BELT 4V X 25L V2.01.20
11	PT25920011	FLAT HD SCR M5-.8 X 10	54	PT25920054	SWITCH BOX LATCH BOLT M4-.7 X 5
12	PT25920012	HEADSTOCK	55	PT25920055	FLAT WASHER 4MM
13	PT25920013	INT RETAINING RING 47MM	56	PT25920056	SWITCH BOX LATCH
14	PT25920014	HEADSTOCK SPINDLE	57	PT25920057	FLAT WASHER 4MM
15	PT25920015	FACEPLATE 3-1/4"	58	PT25920058	HINGE
16	PT25920016	SPUR CENTER MT#2	59	PT25920059	PHLP HD SCR M4-.7 X 8
17	PT25920017	TOOL REST LOCK HANDLE	60	PT25920060	SWITCH BOX PLATE
18	PT25920018	EXT RETAINING RING 10MM	61	PT25920061	HINGE PIN
19	PT25920019	TOOL REST BUSHING	62	PT25920062	POWER CORD 18G 3W 72" 5-15P
20	PT25920020	TOOL REST 150MM	63	PT25920063	CIRCUIT BREAKER 6A GENERAL
21	PT25920021	TOOL REST BASE	64V2	PT25920064V2	CIRCUIT BOARD V2.03.16
22	PT25920022	TOOL REST CAM FOLLOWER	65	PT25920065	PHLP HD SCR M4-.7 X 6
23	PT25920023	TOOL REST ADJ. HANDLE M8-1.25 X 20	66V2	PT25920066V2	SWITCH BOX V2.03.16
24	PT25920024	HEX WRENCH 3MM	67	PT25920067	POTENTIOMETER B103
25	PT25920025	HEX WRENCH 6MM	67-1	PT25920067-1	POTENTIOMETER KNOB
26	PT25920026	HEX WRENCH 8MM	68	PT25920068	TOGGLE SWITCH RU CB-8 E19 4417
27	PT25920027	LIVE CENTER MT#2	69	PT25920069	SET SCREW M6-1 X 12
28	PT25920028	FENDER WASHER 8MM	70V2	PT25920070V2	MOTOR 3/4HP 120VDC V2.01.20
29	PT25920029	MOTOR CARBON BRUSH 2-PC SET	71	PT25920071	RUBBER FOOT M8-1.25 X 15
30	PT25920030	TAILSTOCK LEADSCREW	72	PT25920072	LOCK NUT M10-1.5
31	PT25920031	TAILSTOCK QUILL	73	PT25920073	EXT RETAINING RING 10MM
32	PT25920032	TAILSTOCK	74	PT25920074	FLAT WASHER 8MM
33	PT25920033	TAILSTOCK LEVER	76	PT25920076	FLAT HD SCR M6-1 X 12
34	PT25920034	HANDWHEEL 83MM X 15MM BORE	77	PT25920077	STRAIN RELIEF 5/16" SNAP-IN ST
35	PT25920035	HANDWHEEL HANDLE 6MM X 50MM	78	PT25920078	STRAIN RELIEF 1/4" SNAP-IN ST
36	PT25920036	SHOULDER SCREW M6-1 X 53	79	PT25920079	FUSE 10A 250V FAST-ACTING GLASS
37	PT25920037	TAILSTOCK CLAMP BOLT M10-1.5 X 30MM	80	PT25920080	DIGITAL DISPLAY COVER
38	PT25920038	BED	81	PT25920081	DIGITAL DISPLAY PLATE
39	PT25920039	RETAINING PLATE	82	PT25920082	PHLP HD SCR M4-.7 X 16
40	PT25920040	CAP SCREW M10-1.5 X 12	83	PT25920083	TRANSFORMER 2W 110/230V-8.1-9.1V
41	PT25920041	LOCK PLATE	84	PT25920084	KNOCKOUT BAR
42	PT25920042	LOCK NUT M10-1.5	93	PT25920093	SPEED RING
43	PT25920043	MOTOR PLATE HANDLE ASSEMBLY	96	PT25920096	WRENCH 32 X 42MM OPEN-ENDS



Labels & Cosmetics



REF	PART #	DESCRIPTION
85V2	PT25920085V2	MACHINE ID LABEL V2.01.20
86	PT25920086	GRIZZLY.COM LABEL
87	PT25920087	SAFETY WARNING LABEL
88	PT25920088	SHOCK HAZARD LABEL

REF	PART #	DESCRIPTION
89	PT25920089	ELECTRICITY LABEL
90	PT25920090	CARBON BRUSHES NOTICE LABEL
91	PT25920091	TOUCH-UP PAINT, GRIZZLY GREEN

WARNING

Safety labels help reduce the risk of serious injury caused by machine hazards. If any label comes off or becomes unreadable, the owner of this machine **MUST** replace it in the original location before resuming operations. For replacements, contact (800) 523-4777 or www.grizzly.com.

