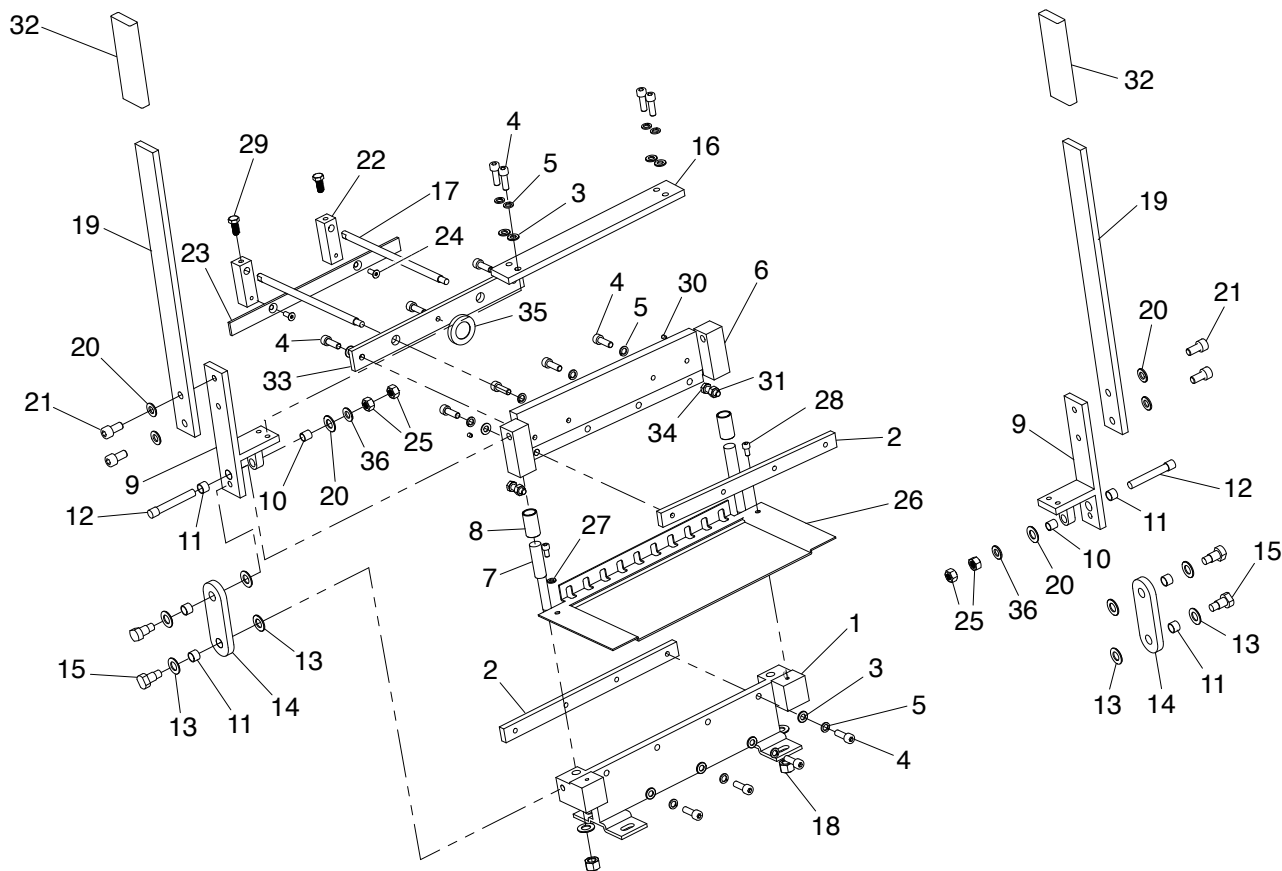


SECTION 7: PARTS

Main




REF	PART #	DESCRIPTION
1	PT26470001	BASE
2	PT26470002	BLADE
3	PT26470003	FLAT WASHER 8MM SS
4	PT26470004	HEX BOLT M8-1.25 X 20 SS
5	PT26470005	LOCK WASHER 8MM SS
6	PT26470006	BLADE BRACKET
7	PT26470007	ALIGNMENT SHAFT
8	PT26470008	BUSHING, COPPER
9	PT26470009	HANDLE MOUNTING BRACKET
10	PT26470010	BUSHING 14 X 12
11	PT26470011	BUSHING 12 X 10
12	PT26470012	PIVOT PIN
13	PT26470013	FLAT WASHER 12MM
14	PT26470014	PIVOT ARM
15	PT26470015	STEP BOLT M12-1.75 X 20
16	PT26470016	CONNECTING PLATE
17	PT26470017	REAR WORK STOP ROD
18	PT26470018	HEX NUT M12-1.75

REF	PART #	DESCRIPTION
19	PT26470019	HANDLE
20	PT26470020	FLAT WASHER 10MM
21	PT26470021	CAP SCREW M10-1.5 X 25 SS
22	PT26470022	REAR WORK STOP BLOCK
23	PT26470023	REAR WORK STOP
24	PT26470024	FLAT HD CAP SCR M6-1 X 16
25	PT26470025	HEX NUT M10-1.5
26	PT26470026	TABLE
27	PT26470027	FLAT WASHER 6MM
28	PT26470028	CAP SCREW M6-1 X 12 SS
29	PT26470029	HEX BOLT M8-1.25 X 20 COPPER
30	PT26470030	SET SCREW M5-.8 X 8
31	PT26470031	HEX NUT M8-1.25
32	PT26470032	HANDLE GRIP
33	PT26470033	BLADE BOW
34	PT26470034	HEX BOLT M8-1.25 X 25
35	PT26470035	SPACER
36	PT26470036	LOCK WASHER 10MM

Please Note: We do our best to stock replacement parts whenever possible, but we cannot guarantee that all parts shown here are available for purchase. Call (800) 523-4777 or visit our online parts store at www.grizzly.com to check for availability.




Labels

 <p>MODEL T26470 HAND SHEAR MACHINE</p> <p><small>Manufactured for Grizzly in China</small></p>	<p>Specifications</p> <p>Capacity: 12" 20 Ga. Mild Steel Weight: 38 Lbs.</p>	<p>MANUAL</p> <p>PARTS LIST</p> <p>SUPPORT</p> <p>grizzly.com</p>	<p>WARNING!</p> <p>To reduce the risk of serious personal injury while using this machine:</p> <ol style="list-style-type: none"> 1. Read manual before operating. 2. Always wear eye protection. 3. Do not exceed machine capacities. 4. Do not modify machine in any way.
	<p>Date</p> <p>Serial #</p>		

51

	<p>WARNING!</p> <p>READ MANUAL BEFORE USING!</p>
---	--

52

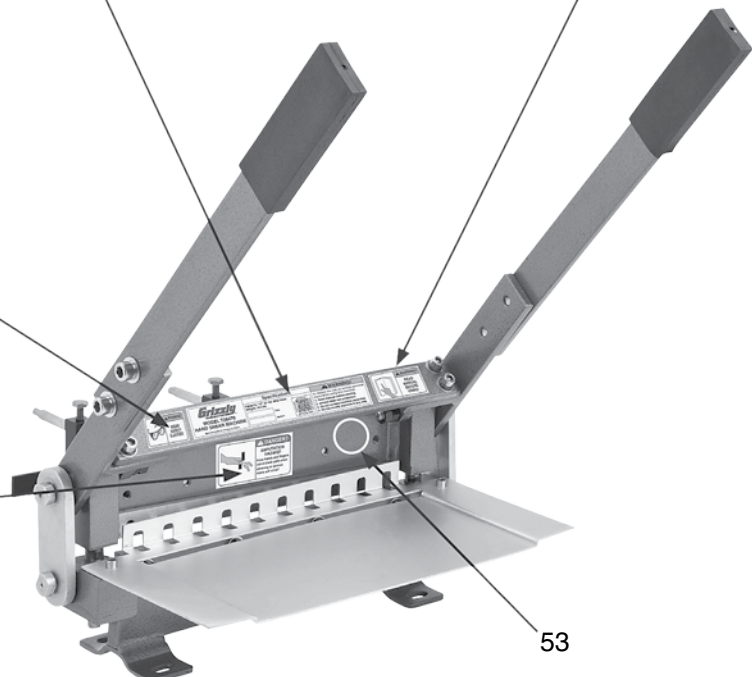
	<p>WARNING!</p> <p>WEAR SAFETY GLASSES!</p>
---	---

55

	<p>DANGER!</p> <p>AMPUTATION HAZARD!</p> <p>Keep hands and fingers out of blade path when shearing or serious injury will occur!</p>
---	--

54

53



REF	PART #	DESCRIPTION
51	PT26470051	MACHINE ID LABEL
52	PT26470052	READ MANUAL LABEL
53	PT26470053	GRIZZLY GREEN TOUCH-UP PAINT

REF	PART #	DESCRIPTION
54	PT26470054	AMPUTATION HAZARD LABEL
55	PT26470055	SAFETY GLASSES LABEL

WARNING

Safety labels help reduce the risk of serious injury caused by machine hazards. If any label comes off or becomes unreadable, the owner of this machine **MUST** replace it in the original location before resuming operations. For replacements, contact (800) 523-4777 or www.grizzly.com.

