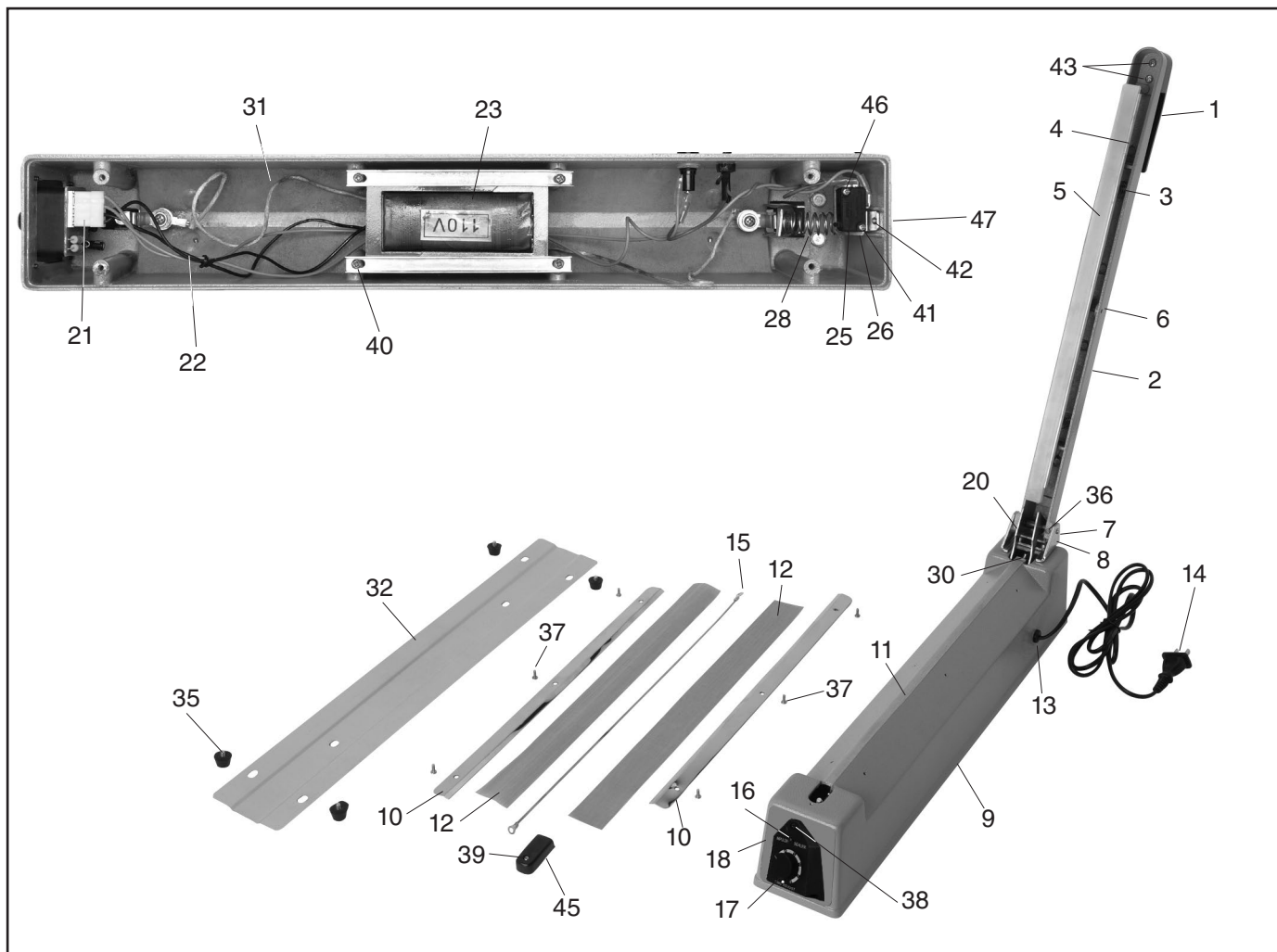


# T26692 Parts Breakdown



REF	PART #	DESCRIPTION
1	PT26692001	HANDLE KNOB
2	PT26692002	PLATEN ARM
3	PT26692003	PLATEN SPRING
4	PT26692004	PLATEN
5	PT26692005	SILICON RUBBER STRIP
6	PT26692006	PHLP HD SCR M5-.8 X 25
7	PT26692007	HINGE
8	PT26692008	HINGE BRACKET
9	PT26692009	SEALER BASE
10	PT26692010	METAL PLATE
11	PT26692011	LOWER TEFLON ELEMENT
12	PT26692012	UPPER TEFLON CLOTH
13	PT26692013	STRAIN RELIEF
14	PT26692014	POWER CORD WITH 5-15 PLUG
15	PT26692015	HEATING ELEMENT
16	PT26692016	PILOT LAMP
17	PT26692017	TIMER KNOB
18	PT26692018	CONTROL PANEL ASSEMBLY
20	PT26692020	SWITCH LEVER
21	PT26692021	WIRE CONNECTOR

REF	PART #	DESCRIPTION
22	PT26692022	INTERNAL WIRING
23	PT26692023	HEATER TRANSFORMER
25	PT26692025	MICROSWITCH
26	PT26692026	SWITCH BRACKET
28	PT26692028	SWITCH LEVER SPRING
30	PT26692030	HEATER TERMINAL ASSEMBLY
31	PT26692031	GROUNDING WIRE
32	PT26692032	COVER PLATE
35	PT26692035	RUBBER FOOT AND SCREW
36	PT26692036	PHLP HD SCR M3-.5 X 10
37	PT26692037	PHLP HD SCR M3-.5 X 8
38	PT26692038	FLAT HD SCR M3-.5 X 8
39	PT26692039	PHLP HD SCR M3-.5 X 10
40	PT26692040	PHLP HD SCR M4-.7 X 12
41	PT26692041	PHLP HD SCR M3-.5 X 12
42	PT26692042	PHLP HD SCR M4-.7 X 5
43	PT26692043	TAP SCREW M5 X 12
45	PT26692045	FRONT COVER
46	PT26692046	LOCK WASHER 3MM
47	PT26692047	EXT TOOTH WASHER 4MM

