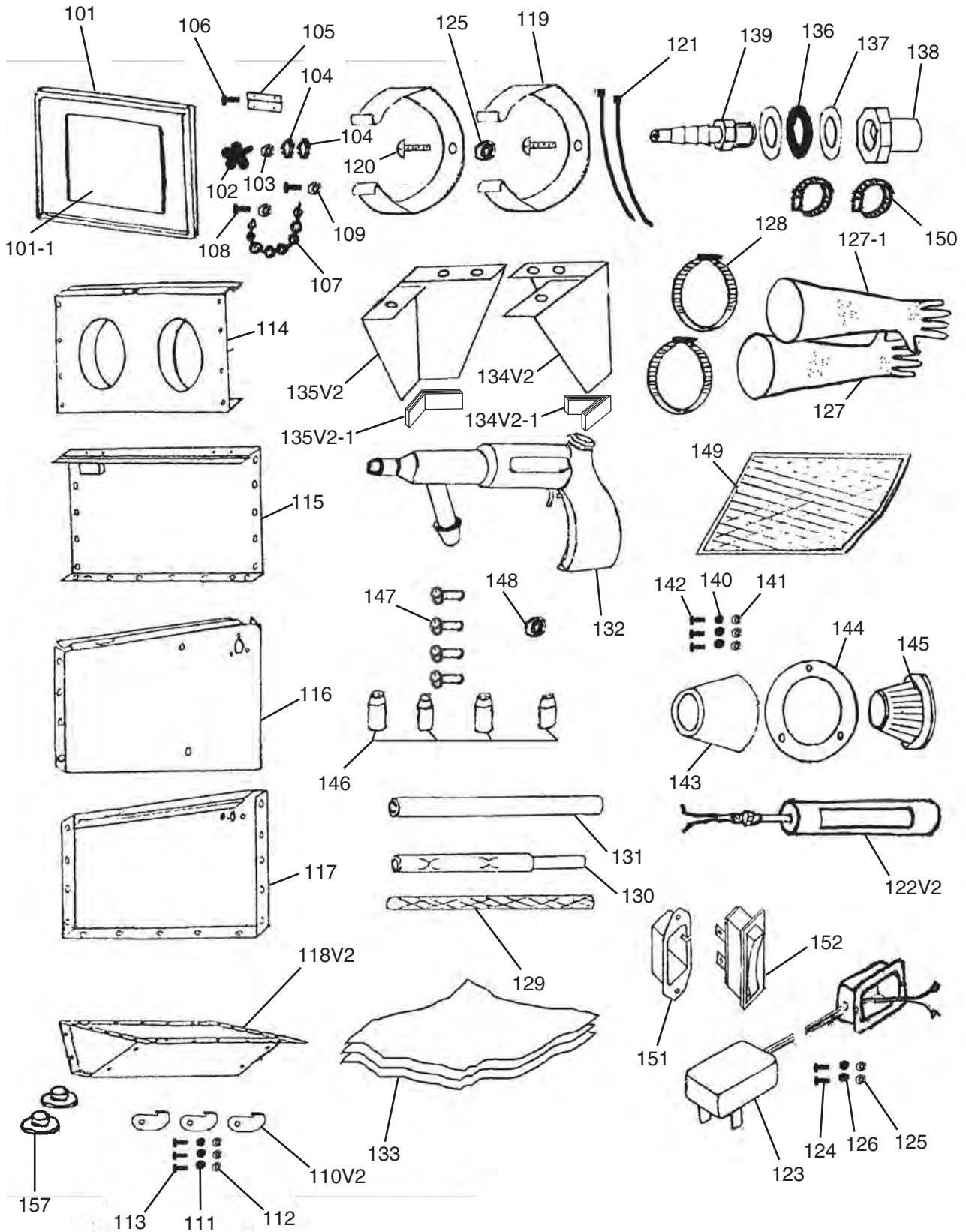


SECTION 5: PARTS

Main Parts Breakdown



Main Parts List

REF	PART #	DESCRIPTION
101	PT27156101	WINDOW FRAME
101-1	PT27156101-1	WINDOW PLEXIGLASS
101-2	PT27156101-2	WINDOW SEAL
102	PT27156102	KNOB
103	PT27156103	HEX NUT M6-1
104	PT27156104	FLAT WASHER 6MM
105	PT27156105	HINGE
106	PT27156106	TAP SCREW M4 X 10
107	PT27156107	CHAIN
108	PT27156108	PHLP HD SCR M6-1 X 12
109	PT27156109	HEX NUT M6-1
110V2	PT27156110V2	LOCK LEVER (PLASTIC) V2.01.18
111	PT27156111	FLAT WASHER 6MM
112	PT27156112	LOCK NUT M6-1
113	PT27156113	PHLP HD SCR M6-1 X 12
114	PT27156114	PANEL-FRONT
115	PT27156115	PANEL-REAR
116	PT27156116	PANEL-RIGHT
117	PT27156117	PANEL-LEFT
118V2	PT27156118V2	HOPPER CONE SHAPE V2.01.18
119	PT27156119	LAMP CLAMP
120	PT27156120	PHLP HD SCR M4-.7 X 10
121	PT27156121	ZIP TIE
122V2	PT27156122V2	COMPLETE LAMP ASSEMBLY V2.11.16
123	PT27156123	AC/DC ADAPTER
124	PT27156124	PHLP HD SCR M4-.7 X 10
125	PT27156125	HEX NUT M4-.7
126	PT27156126	FLAT WASHER 4MM
127	PT27156127	GLOVE-RIGHT

REF	PART #	DESCRIPTION
127-1	PT27156127-1	GLOVE-LEFT
128	PT27156128	HOSE CLAMP
129	PT27156129	PRESSURE SUPPLY HOSE
130	PT27156130	SUCTION TUBE
131	PT27156131	SUCTION HOSE
132	PT27156132	BLAST GUN
133	PT27156133	CLEAR ADHESIVE FILM 4-PC
134V2	PT27156134V2	SHORT LEG (FRONT-LEFT REAR-RIGHT) V2.01.18
134V2-1	PT27156134V2-1	RUBBER FOOT (FRONT-LEFT REAR-RIGHT)
135V2	PT27156135V2	SHORT LEG (FRONT-RIGHT REAR-LEFT) V2.01.18
135V2-1	PT27156135V2-1	RUBBER FOOT (FRONT-RIGHT REAR-LEFT)
136	PT27156136	FLAT SPACER
137	PT27156137	FLAT GASKET
138	PT27156138	BULKHEAD FITTING
139	PT27156139	HOSE NIPPLE
140	PT27156140	FLAT WASHER 4MM
141	PT27156141	HEX NUT M4-.7
142	PT27156142	PHLP HD SCR M4-.7 X 10
143	PT27156143	FOAM FILTER
144	PT27156144	RING
145	PT27156145	FILTER ELEMENT
146	PT27156146	NOZZLE SET
147	PT27156147	JET SET
148	PT27156148	JET SEAL NUT
149	PT27156149	SCREEN
150	PT27156150	HOSE CLAMP
151	PT27156151	SWITCH HOUSING
152	PT27156152	SWITCH
157	PT27156157	HOPPER PLUG



REF	PART #	DESCRIPTION
160	PT27156160	EYE/LUNG WARNING LABEL
161	PT27156161	DUST HAZARD LABEL
162	PT27156162	PSI LABEL 125 MAX
163	PT27156163	MACHINE ID LABEL

