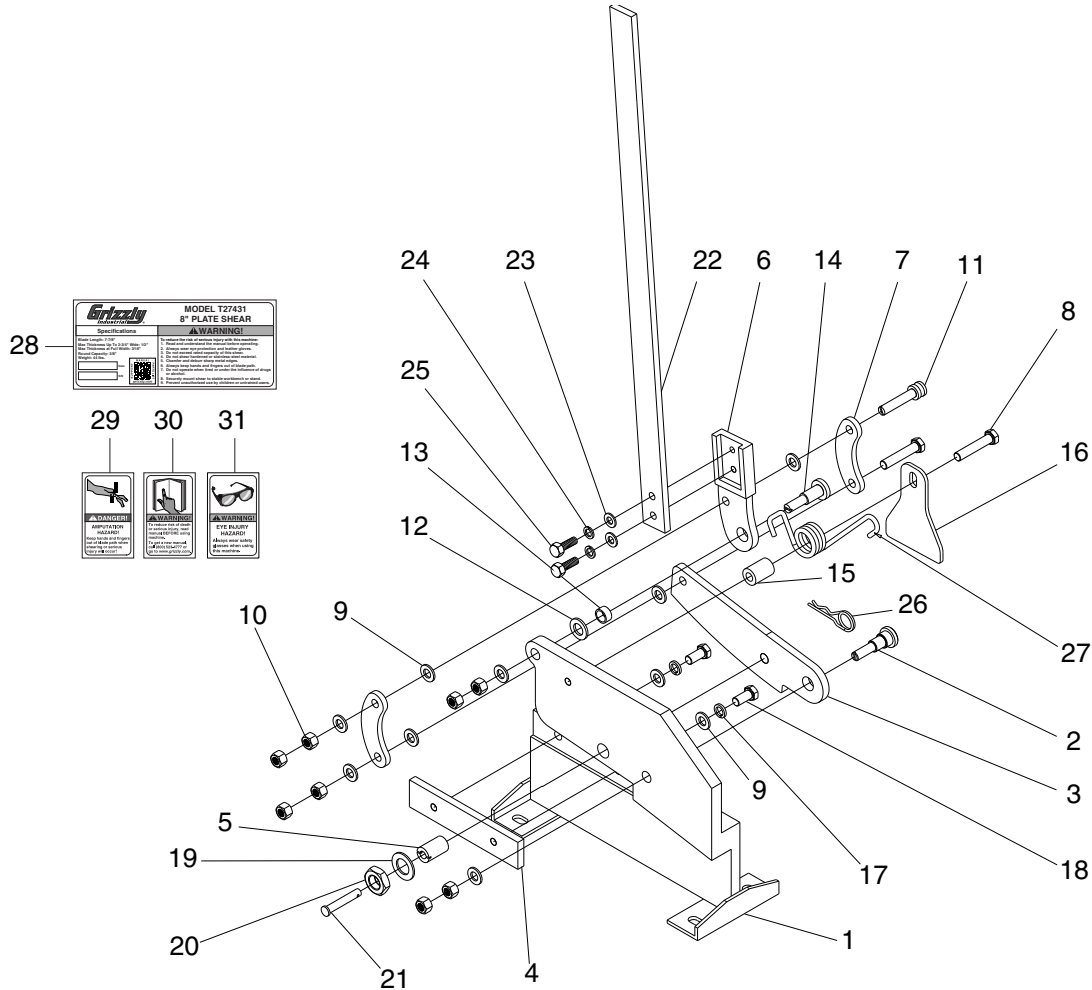


T27431 Breakdown



T27431 Parts List

REF	PART #	DESCRIPTION
1	PT27431001	SHEAR BODY
2	PT27431002	PIVOT BOLT M12-1.75 X 30
3	PT27431003	UPPER BLADE 7-7/8"
4	PT27431004	LOWER BLADE 7-7/8"
5	PT27431005	SHEARING PORT SCREW M22-1.5 X 30
6	PT27431006	HANDLE BRACKET
7	PT27431007	REAR PIVOT ARM
8	PT27431008	HEX BOLT M12-1.75 X 60 BLK C8.8
9	PT27431009	FLAT WASHER 12MM
10	PT27431010	HEX NUT M12-1.75
11	PT27431011	PIVOT BOLT W/SPRING CAPTURE M10-1.5 X 25
12	PT27431012	FLAT WASHER 16MM
13	PT27431013	BUSHING, COPPER
14	PT27431014	PIVOT BOLT M12-1.75 X 35
15	PT27431015	BUSHING
16	PT27431016	WORK STOP

REF	PART #	DESCRIPTION
17	PT27431017	LOCK WASHER 12MM
18	PT27431018	HEX BOLT M12-1.75 X 25
19	PT27431019	FLAT WASHER 22MM
20	PT27431020	HEX NUT M22-1.5
21	PT27431021	CLEVIS PIN 10 X 60MM
22	PT27431022	HANDLE
23	PT27431023	FLAT WASHER 10MM
24	PT27431024	LOCK WASHER 10MM
25	PT27431025	HEX BOLT M10-1.5 X 25 BLK C8.8
26	PT27431026	COTTER PIN 3 X 90, HAIRPIN
27	PT27431027	TORSION SPRING
28	PT27431028	MACHINE ID LABEL
29	PT27431029	AMPUTATION HAZARD LABEL
30	PT27431030	READ MANUAL LABEL
31	PT27431031	SAFETY GLASSES LABEL

WARNING

Safety labels help reduce the risk of serious injury caused by machine hazards. If any label comes off or becomes unreadable, the owner of this machine **MUST** replace it in the original location before resuming operations. For replacements, contact (800) 523-4777 or www.grizzly.com.

