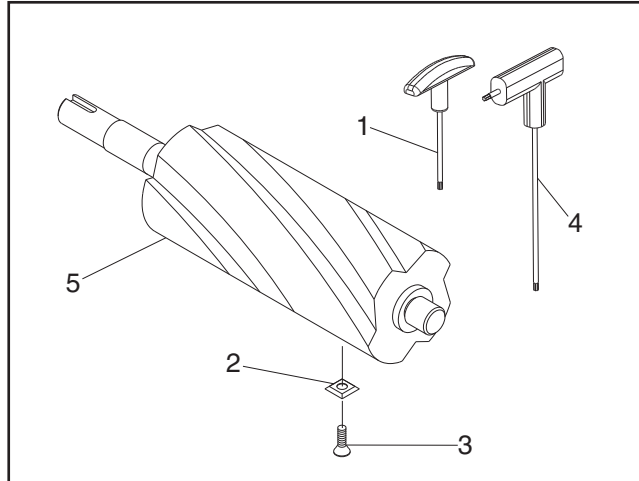


T27449 Parts Breakdown and List



REF	PART #	DESCRIPTION
1	PT27449001	T-HANDLE TORX DRIVE T-20
2	PT27449002	INDEXABLE INSERT 14 X 14 X 2
3	PT27449003	FLAT HD TORX SCR T20 M6-1 X 15
4	PT27449004	L-HANDLE TORX DRIVE T-20
5	PT27449005	SPIRAL CUTTERHEAD 8"

