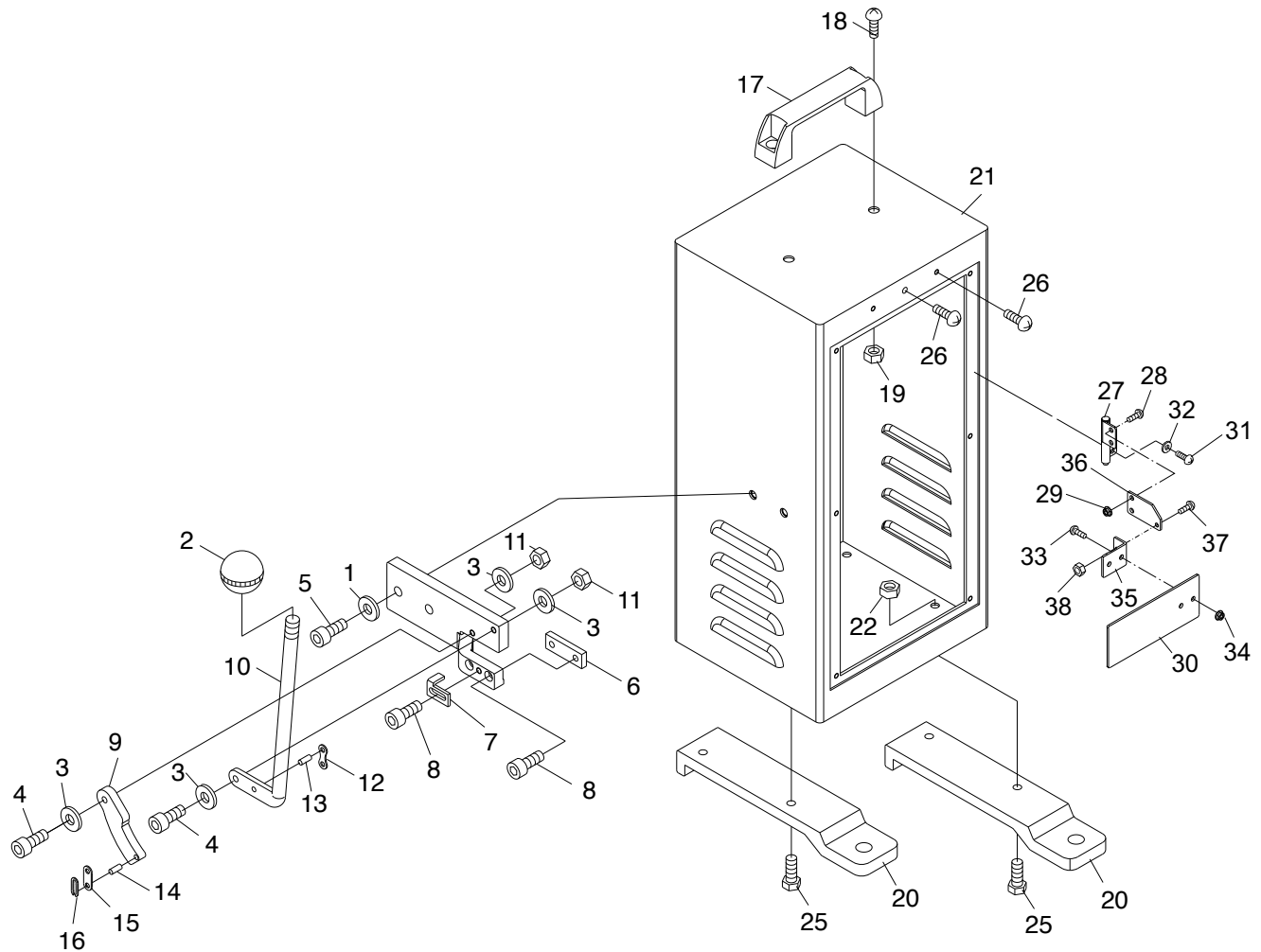


Blade Shear & Cabinet

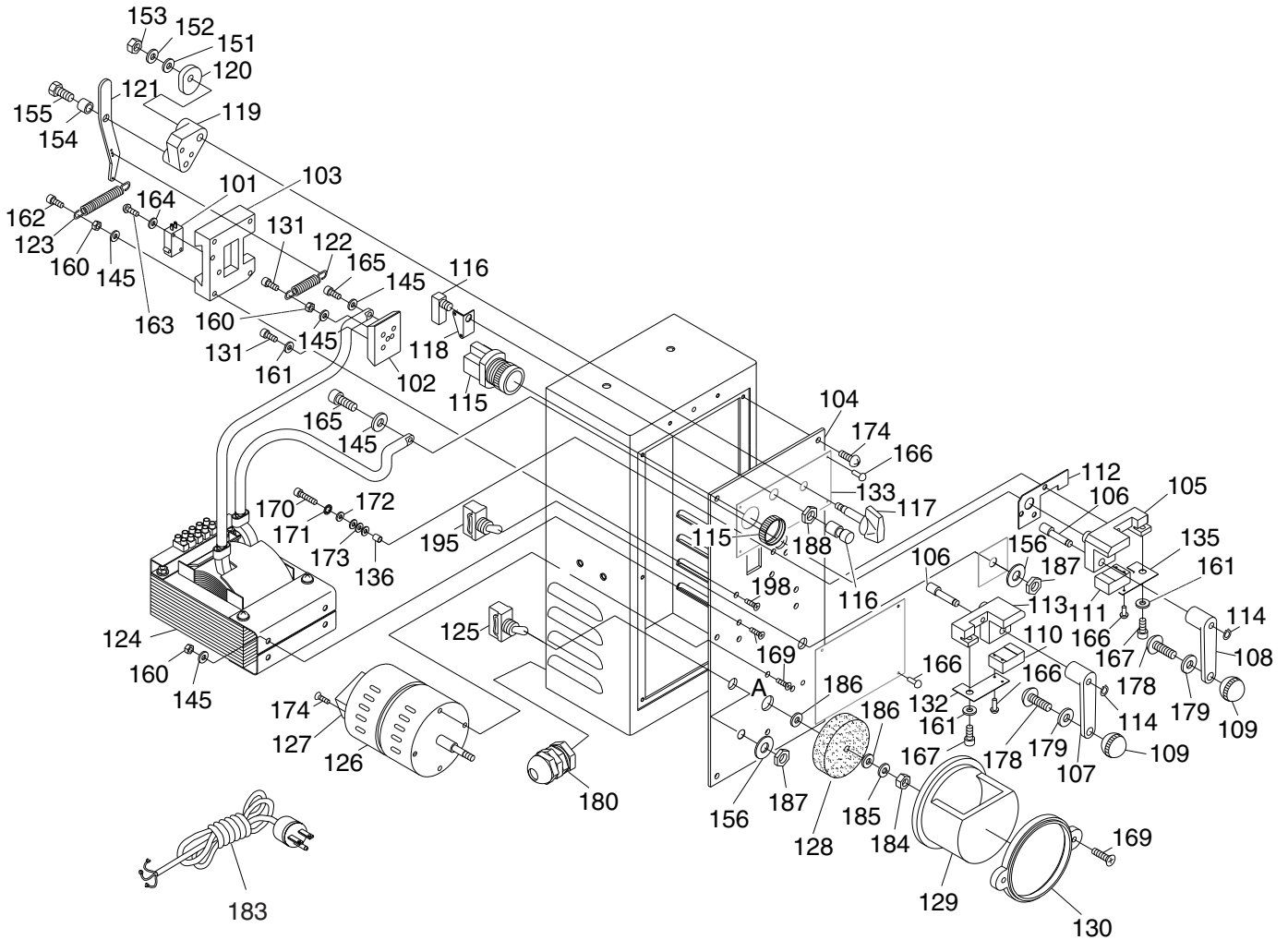


REF	PART #	DESCRIPTION
1	PT27555001	FLAT WASHER 8MM
2	PT27555002	BALL KNOB 5/16-18 (BLACK)
3	PT27555003	FLAT WASHER 6MM
4	PT27555004	CAP SCREW M6-1 X 25
5	PT27555005	CAP SCREW M8-1.25 X 20
6	PT27555006	LOWER SHEAR BLADE
7	PT27555007	ALIGNMENT BRACKET
8	PT27555008	CAP SCREW M5-.8 X 8
9	PT27555009	UPPER SHEAR BLADE
10	PT27555010	SHEARING LEVER 5/16-18
11	PT27555011	HEX NUT M6-1
12	PT27555012	LOCKING LINK 8.25 X 21MM
13	PT27555013	LOCKING LINK PIN 3.5 X 10.5MM
14	PT27555014	LOCKING LINK PIN 3.5 X 10.5MM
15	PT27555015	LOCKING LINK 8.5 X 21MM
16	PT27555016	LOCKING LINK CLIP
17	PT27555017	HANDLE
18	PT27555018	PHLP HD SCR M8-1.25 X 16
19	PT27555019	HEX NUT M8-1.25

REF	PART #	DESCRIPTION
20	PT27555020	CABINET FEET W/MOUNTING HOLES
21	PT27555021	CABINET (T27555, T27575)
21	PT27556021	CABINET (T27556)
22	PT27555022	HEX NUT M6-1
25	PT27555025	HEX BOLT M6-1 X 25
26	PT27555026	PHLP HD SCR M5-.8 X 8
27	PT27555027	SPARK DEFLECTOR HINGE
28	PT27555028	PHLP HD SCR M5-.8 X 8
29	PT27555029	HEX NUT M5-.8
30	PT27555030	SPARK DEFLECTOR
31	PT27555031	PHLP HD SCR M5-.8 X 12
32	PT27555032	FLAT WASHER 5MM
33	PT27555033	PHLP HD SCR M5-.8 X 12
34	PT27555034	HEX NUT M5-.8
35	PT27555035	SPARK DEFLECTOR BRACKET (LEFT)
36	PT27555036	SPARK DEFLECTOR BRACKET (RIGHT)
37	PT27555037	PHLP HD SCR M5-.8 X 12
38	PT27555038	HEX NUT M5-.8
39	PT27555039	PHLP HD SCR M5-.8 X 8



T27556 Controls & Electrical



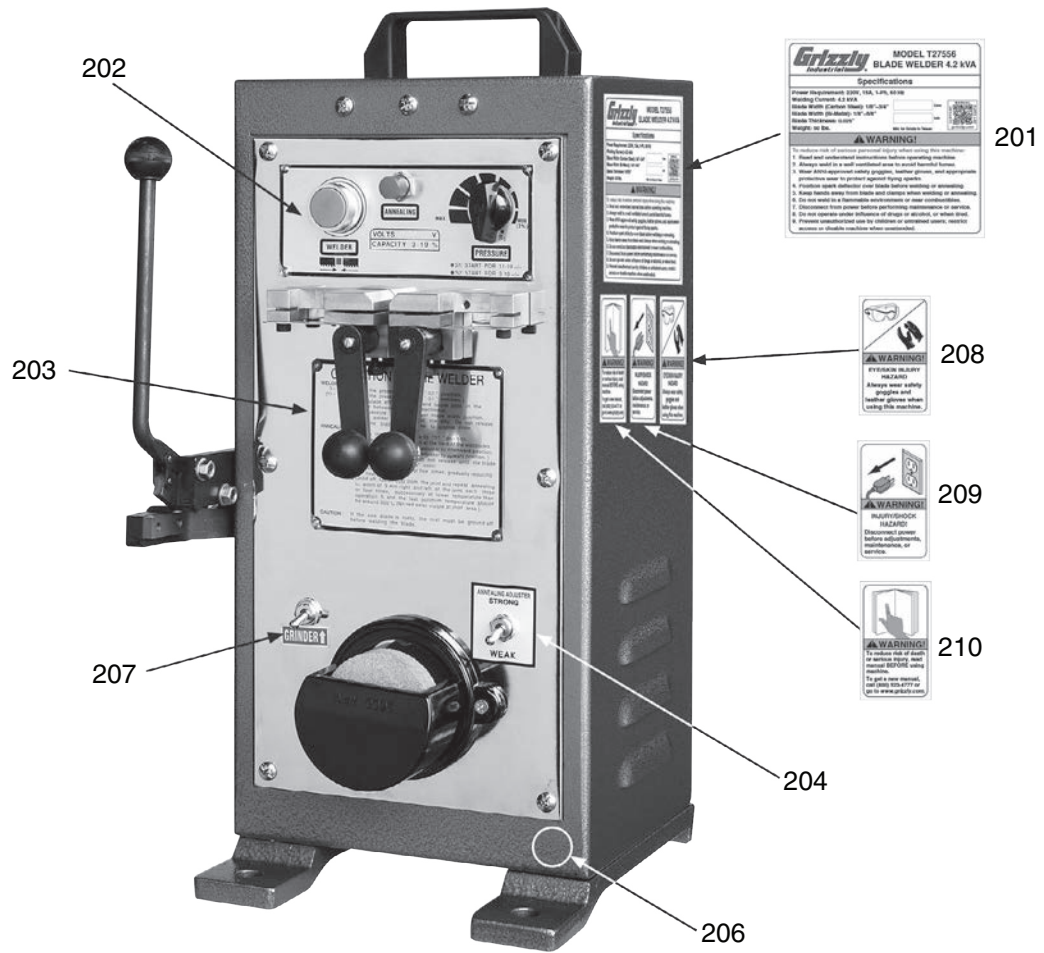
T27556 Controls & Electrical Parts

REF	PART #	DESCRIPTION
101	PT27556101	SENSOR OMRON Z-15GSB
102	PT27556102	GUIDE BLOCK
103	PT27556103	GUIDE CASTING
104	PT27556104	FRONT PANEL
105	PT27556105	ELECTRODE (RIGHT)
106	PT27556106	CAM PIVOT SHAFT
107	PT27556107	CLAMP LEVER (LEFT)
108	PT27556108	CLAMP LEVER (RIGHT)
109	PT27556109	BALL KNOB M8-1.25 (BLACK)
110	PT27556110	LOWER JAW (LEFT)
111	PT27556111	LOWER JAW (RIGHT)
112	PT27556112	JAW INSULATOR
113	PT27556113	ELECTRODE (LEFT)
114	PT27556114	EXT RETAINING RING 5MM
115	PT27556115	ON BUTTON AUSPICIOUS APB 25-1/0
116	PT27556116	ANNEAL BUTTON OMRON V15-1E5
117	PT27556117	CLAMPING PRESSURE KNOB M6-1
118	PT27556118	ANNEAL SWITCH BRACKET
119	PT27556119	SPRING ARM BRACKET
120	PT27556120	CAM
121	PT27556121	SPRING ARM
122	PT27556122	UPPER EXTENSION SPRING 1 X 9 X 20
123	PT27556123	LOWER EXTENSION SPRING 1 X 10 X 40
124	PT27556124	WELDING TRANSFORMER 220V 4.2 KVA
125	PT27556125	TOGGLE SWITCH SEI R13-5
126	PT27556126	MOTOR 1/8 HP 110V 1-PH
127	PT27556127	S CAPACITOR 3M 250V 1/2 X 7/8 X 1-1/4
128	PT27556128	GRINDING WHEEL 1/4 X 5/8 X 2-1/2
129	PT27556129	GRINDING WHEEL GUARD
130	PT27556130	GUARD RETAINING RING
131	PT27556131	CAP SCREW M5-.8 X 25
132	PT27556132	CONNECTING PLATE (LEFT)
135	PT27556135	CONNECTING PLATE (RIGHT)

REF	PART #	DESCRIPTION
136	PT27556136	INSULATING SLEEVE
145	PT27556145	FLAT WASHER 5MM
151	PT27556151	FLAT WASHER 6MM
152	PT27556152	LOCK WASHER 6MM
153	PT27556153	FLANGE NUT M6-1
154	PT27556154	SPACER
155	PT27556155	HEX BOLT M6-1 X 16
156	PT27556156	LOCK WASHER #8
160	PT27556160	HEX NUT M5-.8
161	PT27556161	LOCK WASHER 5MM
162	PT27556162	CAP SCREW M5-.8 X 25
163	PT27556163	PHLP HD SCR 5-40 X 3/4
164	PT27556164	LOCK WASHER #5
165	PT27556165	CAP SCREW M5-.8 X 8
166	PT27556166	RIVET 2 X 6MM NAMEPLATE, STEEL
167	PT27556167	CAP SCREW M5-.8 X 6
169	PT27556169	FLAT HD SCR M5-.8 X 12
170	PT27556170	CAP SCREW M5-.8 X 16
171	PT27556171	INT TOOTH WASHER 5MM
172	PT27556172	FLAT WASHER 5MM
173	PT27556173	INSULATING WASHER 5MM
174	PT27556174	PHLP HD SCR M5-.8 X 10
178	PT27556178	LOCKING FLANGE SCREW M8-1.25 X 16
179	PT27556179	LOCK WASHER 8MM
180	PT27556180	STRAIN RELIEF TYPE-3 M16-1.5
183	PT27556183	POWER CORD 16G 3W 90" 6-15
184	PT27556184	HEX NUT 1/4-20
185	PT27556185	FLAT WASHER 1/4
186	PT27556186	FLAT WASHER 1/4
187	PT27556187	HEX NUT 8-32 THIN
188	PT27556188	HEX NUT M12-1.0 THIN
195	PT27556195	TOGGLE SWITCH
198	PT27556198	FLAT HD SCR M5-.8 X 15



Labels & Cosmetics



Model T27556 Shown

REF PART #	DESCRIPTION
201	PT27555201 MACHINE ID LABEL (T27555)
201	PT27556201 MACHINE ID LABEL (T27556)
201	PT27575201 MACHINE ID LABEL (T27575)
202	PT27555202 CONTROL PANEL LABEL (T27555, T27575)
202	PT27556202 CONTROL PANEL LABEL (T27556)
203	PT27555203 WELD INSTRUCTION LABEL (T27555, T27575)
203	PT27556203 WELD INSTRUCTIONS LABEL (T27556)

REF PART #	DESCRIPTION
204	PT27556204 ANNEALING ADJUSTER LABEL (T27556)
206	PT27555206 TOUCH-UP PAINT, GRIZZLY GREEN
207	PT27555207 GRINDER LABEL
208	PT27555208 GOGGLES/GLOVES LABEL
209	PT27555209 DISCONNECT POWER LABEL
210	PT27555210 READ MANUAL LABEL

WARNING

Safety labels help reduce the risk of serious injury caused by machine hazards. If any label comes off or becomes unreadable, the owner of this machine **MUST** replace it in the original location before resuming operations. For replacements, contact (800) 523-4777 or www.grizzly.com.

