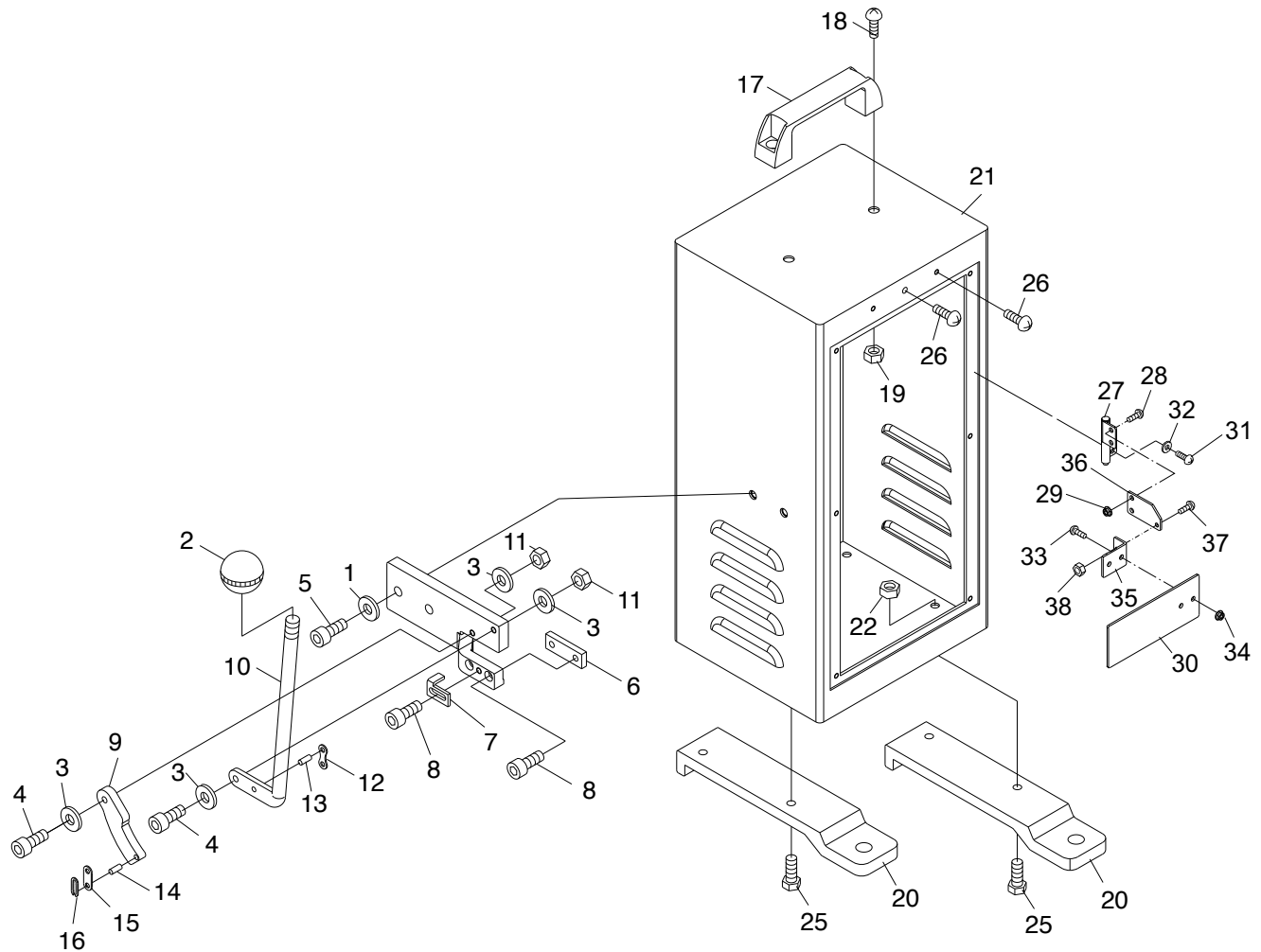


Blade Shear & Cabinet

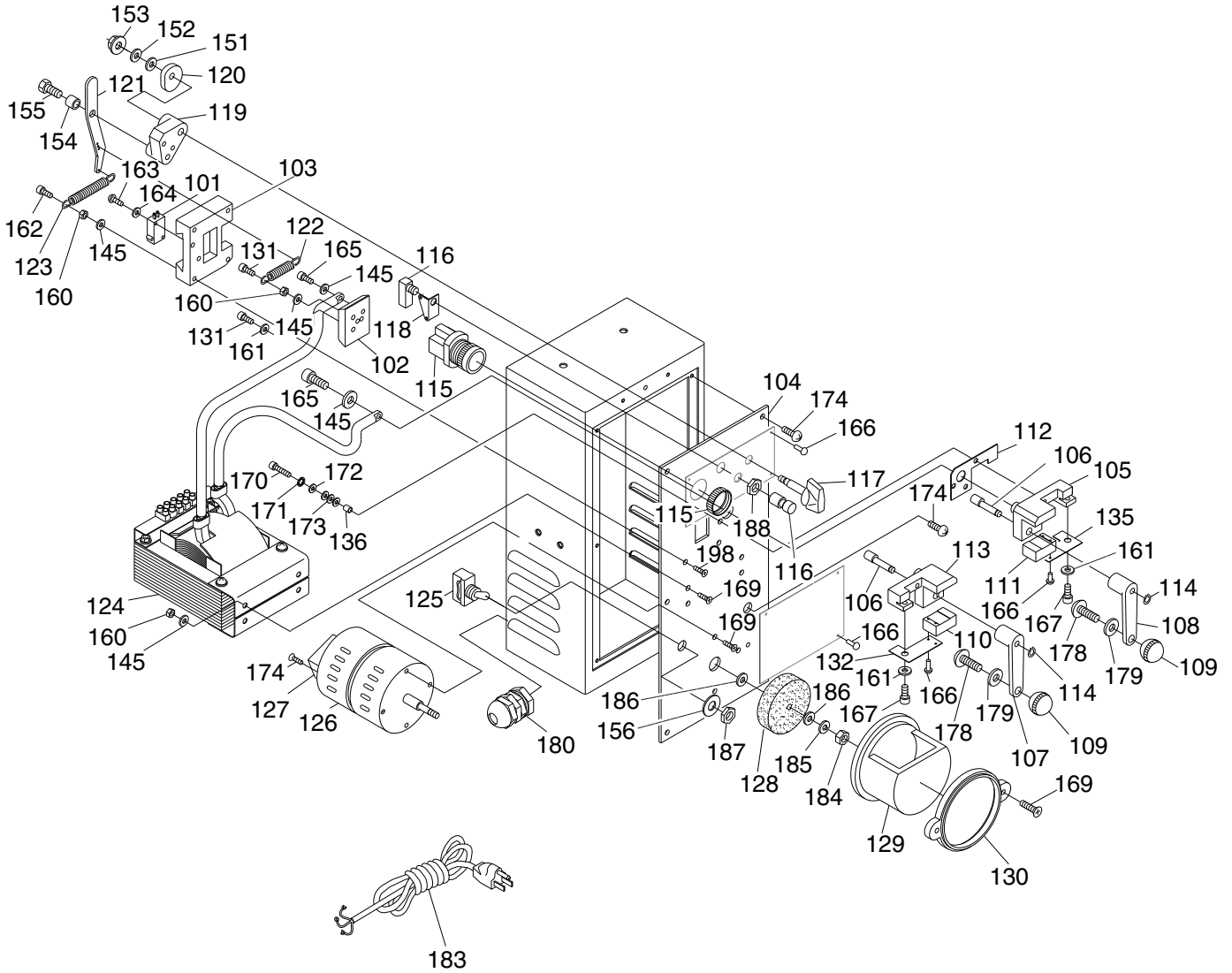


REF	PART #	DESCRIPTION
1	PT27555001	FLAT WASHER 8MM
2	PT27555002	BALL KNOB 5/16-18 (BLACK)
3	PT27555003	FLAT WASHER 6MM
4	PT27555004	CAP SCREW M6-1 X 25
5	PT27555005	CAP SCREW M8-1.25 X 20
6	PT27555006	LOWER SHEAR BLADE
7	PT27555007	ALIGNMENT BRACKET
8	PT27555008	CAP SCREW M5-.8 X 8
9	PT27555009	UPPER SHEAR BLADE
10	PT27555010	SHEARING LEVER 5/16-18
11	PT27555011	HEX NUT M6-1
12	PT27555012	LOCKING LINK 8.25 X 21MM
13	PT27555013	LOCKING LINK PIN 3.5 X 10.5MM
14	PT27555014	LOCKING LINK PIN 3.5 X 10.5MM
15	PT27555015	LOCKING LINK 8.5 X 21MM
16	PT27555016	LOCKING LINK CLIP
17	PT27555017	HANDLE
18	PT27555018	PHLP HD SCR M8-1.25 X 16
19	PT27555019	HEX NUT M8-1.25

REF	PART #	DESCRIPTION
20	PT27555020	CABINET FEET W/MOUNTING HOLES
21	PT27555021	CABINET (T27555, T27575)
21	PT27556021	CABINET (T27556)
22	PT27555022	HEX NUT M6-1
25	PT27555025	HEX BOLT M6-1 X 25
26	PT27555026	PHLP HD SCR M5-.8 X 8
27	PT27555027	SPARK DEFLECTOR HINGE
28	PT27555028	PHLP HD SCR M5-.8 X 8
29	PT27555029	HEX NUT M5-.8
30	PT27555030	SPARK DEFLECTOR
31	PT27555031	PHLP HD SCR M5-.8 X 12
32	PT27555032	FLAT WASHER 5MM
33	PT27555033	PHLP HD SCR M5-.8 X 12
34	PT27555034	HEX NUT M5-.8
35	PT27555035	SPARK DEFLECTOR BRACKET (LEFT)
36	PT27555036	SPARK DEFLECTOR BRACKET (RIGHT)
37	PT27555037	PHLP HD SCR M5-.8 X 12
38	PT27555038	HEX NUT M5-.8
39	PT27555039	PHLP HD SCR M5-.8 X 8



T27555/T27575 Controls & Electrical



T27555/T27575 Controls & Electrical Parts

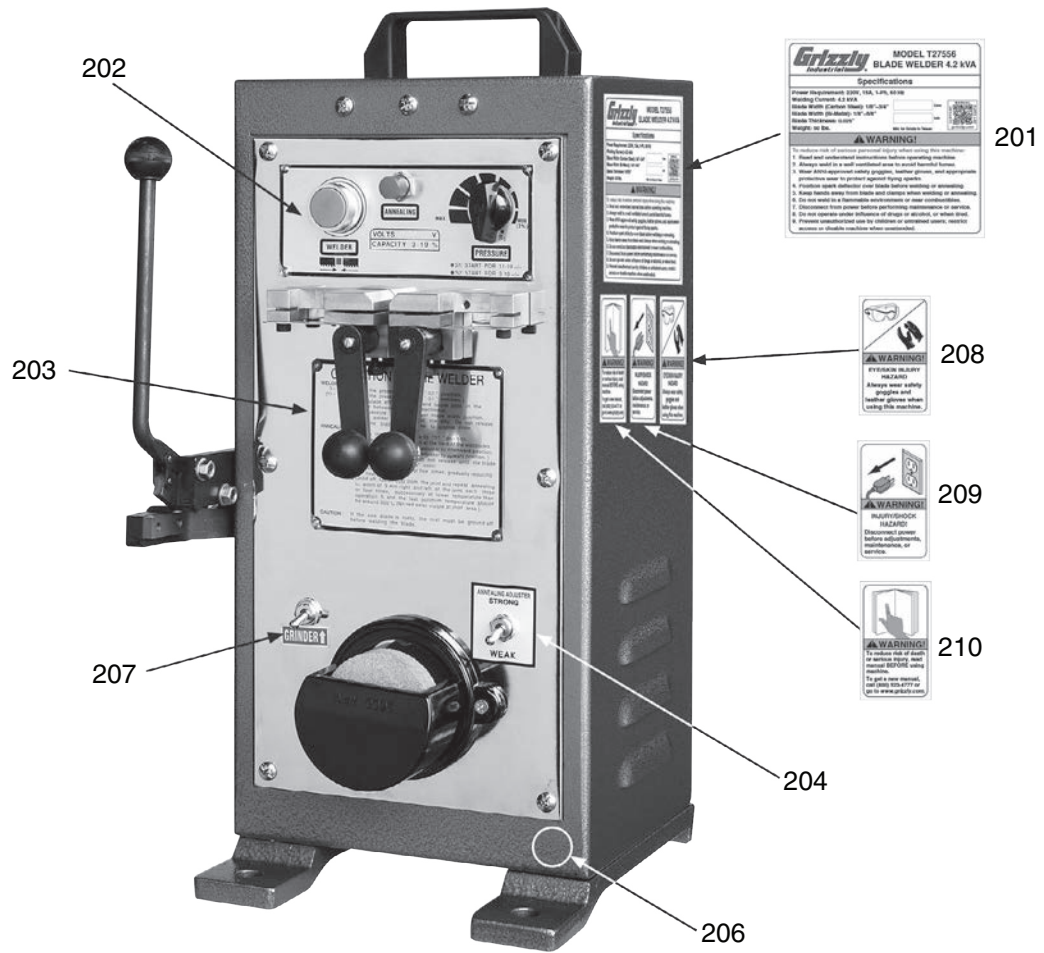
REF	PART #	DESCRIPTION
101	PT27555101	SENSOR OMRON V-151E5 110V/220V
102	PT27555102	GUIDE BLOCK
103	PT27555103	GUIDE CASTING
104	PT27555104	FRONT PANEL
105	PT27555105	ELECTRODE (RIGHT)
106	PT27555106	CAM PIVOT SHAFT
107	PT27555107	CLAMP LEVER (LEFT)
108	PT27555108	CLAMP LEVER (RIGHT)
109	PT27555109	BALL KNOB M8-1.25 (BLACK)
110	PT27555110	LOWER JAW (LEFT)
111	PT27555111	LOWER JAW (RIGHT)
112	PT27555112	JAW INSULATOR
113	PT27555113	ELECTRODE (LEFT)
114	PT27555114	EXT RETAINING RING 5MM
115	PT27555115	ON BUTTON AUSPICIOUS APB 25-1/0
116	PT27555116	ANNEAL BUTTON OMRON V15-1E5
117	PT27555117	CLAMPING PRESSURE KNOB M6-1
118	PT27555118	ANNEAL SWITCH BRACKET
119	PT27555119	SPRING ARM BRACKET
120	PT27555120	CAM
121	PT27555121	SPRING ARM
122	PT27555122	UPPER EXTENSION SPRING 1 X 9 X 20
123	PT27555123	LOWER EXTENSION SPRING 1 X 10 X 40
124	PT27555124	WELDING TRANSFORMER 110V 2.0 KVA (T27555)
124	PT27575124	WELDING TRANSFORMER 110V 2.4 KVA (T27575)
125	PT27555125	TOGGLE SWITCH SEI R13-5
126	PT27555126	MOTOR 1/8HP 110V 1-PH
127	PT27555127	S CAPACITOR 3M 250V 1/2 X 7/8 X 1-1/4
128	PT27555128	GRINDING WHEEL 1/4 X 5/8 X 2-1/2
129	PT27555129	GRINDING WHEEL GUARD
130	PT27555130	GUARD RETAINING RING
131	PT27555131	CAP SCREW M5-.8 X 25
132	PT27555132	CONNECTING PLATE (LEFT)

REF	PART #	DESCRIPTION
135	PT27555135	CONNECTING PLATE (RIGHT)
136	PT27555136	INSULATING SLEEVE
145	PT27555145	FLAT WASHER 5MM
151	PT27555151	FLAT WASHER 6MM
152	PT27555152	LOCK WASHER 6MM
153	PT27555153	FLANGE NUT M6-1
154	PT27555154	SPACER
155	PT27555155	HEX BOLT M6-1 X 16
156	PT27555156	LOCK WASHER #8
160	PT27555160	HEX NUT M5-.8
161	PT27555161	LOCK WASHER 5MM
162	PT27555162	CAP SCREW M5-.8 X 25
163	PT27555163	PHLP HD SCR 5-40 X 3/4
164	PT27555164	LOCK WASHER #5
165	PT27555165	CAP SCREW M5-.8 X 8
166	PT27555166	RIVET 2 X 6MM NAMEPLATE, STEEL
167	PT27555167	CAP SCREW M5-.8 X 6
169	PT27555169	FLAT HD SCR M5-.8 X 12
170	PT27555170	CAP SCREW M5-.8 X 16
171	PT27555171	INT TOOTH WASHER 5MM
172	PT27555172	FLAT WASHER 5MM
173	PT27555173	INSULATING WASHER 5MM
174	PT27555174	PHLP HD SCR M5-.8 X 10
178	PT27555178	LOCKING FLANGE SCREW M8-1.25 X 16
179	PT27555179	LOCK WASHER 8MM
180	PT27555180	STRAIN RELIEF TYPE-3 M16-1.5
183	PT27555183	PWR CORD 16G 3W 90" 5-15
184	PT27555184	HEX NUT 1/4-20
185	PT27555185	FLAT WASHER 1/4
186	PT27555186	FLAT WASHER 1/4
187	PT27555187	HEX NUT 8-32 THIN
188	PT27555188	HEX NUT M12-1.0 THIN
198	PT27555198	FLAT HD SCR M5-.8 X 15

We do our best to stock replacement parts when possible, but we cannot guarantee that all parts shown are available for purchase. Call **(800) 523-4777** or visit **www.grizzly.com/parts** to check for availability.



Labels & Cosmetics



Model T27556 Shown

REF PART #	DESCRIPTION
201	PT27555201 MACHINE ID LABEL (T27555)
201	PT27556201 MACHINE ID LABEL (T27556)
201	PT27575201 MACHINE ID LABEL (T27575)
202	PT27555202 CONTROL PANEL LABEL (T27555, T27575)
202	PT27556202 CONTROL PANEL LABEL (T27556)
203	PT27555203 WELD INSTRUCTION LABEL (T27555, T27575)
203	PT27556203 WELD INSTRUCTIONS LABEL (T27556)

REF PART #	DESCRIPTION
204	PT27556204 ANNEALING ADJUSTER LABEL (T27556)
206	PT27555206 TOUCH-UP PAINT, GRIZZLY GREEN
207	PT27555207 GRINDER LABEL
208	PT27555208 GOGGLES/GLOVES LABEL
209	PT27555209 DISCONNECT POWER LABEL
210	PT27555210 READ MANUAL LABEL

⚠ WARNING

Safety labels help reduce the risk of serious injury caused by machine hazards. If any label comes off or becomes unreadable, the owner of this machine **MUST** replace it in the original location before resuming operations. For replacements, contact (800) 523-4777 or www.grizzly.com.

