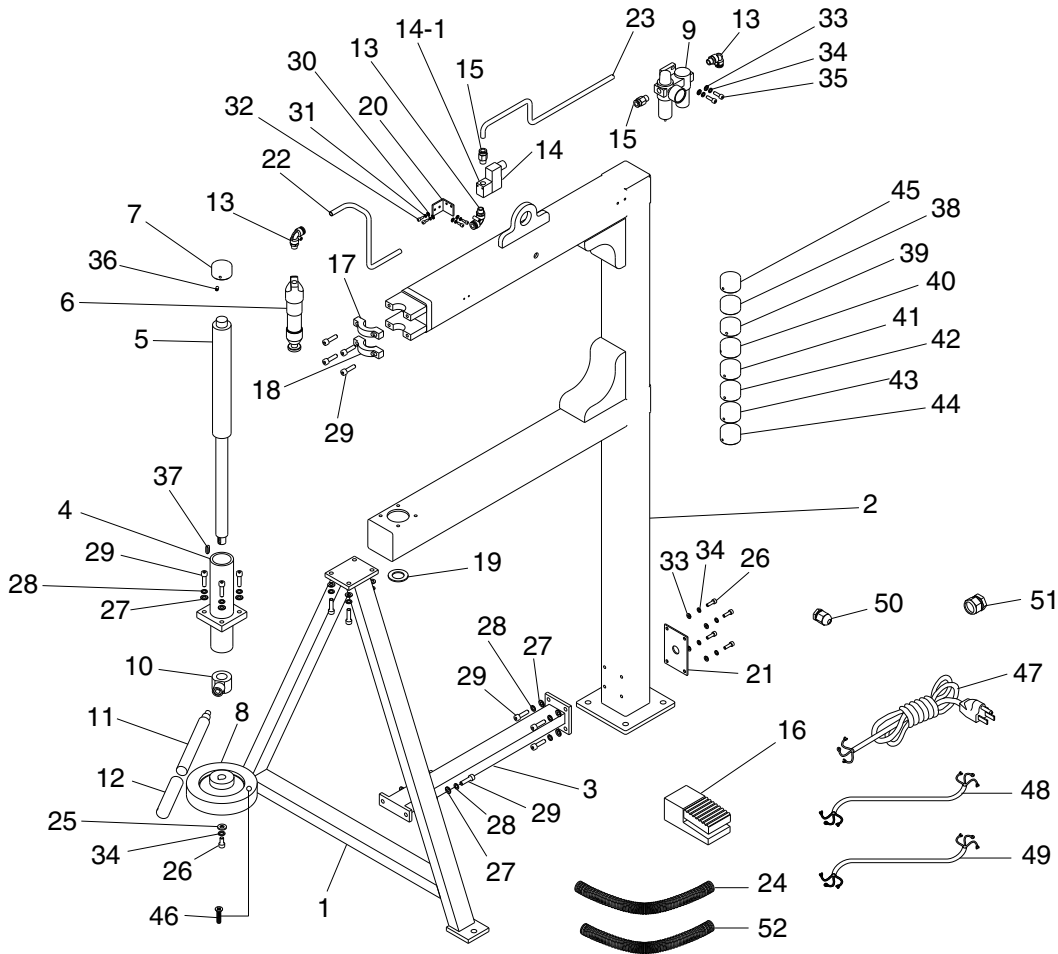


## T27620 Parts Breakdown

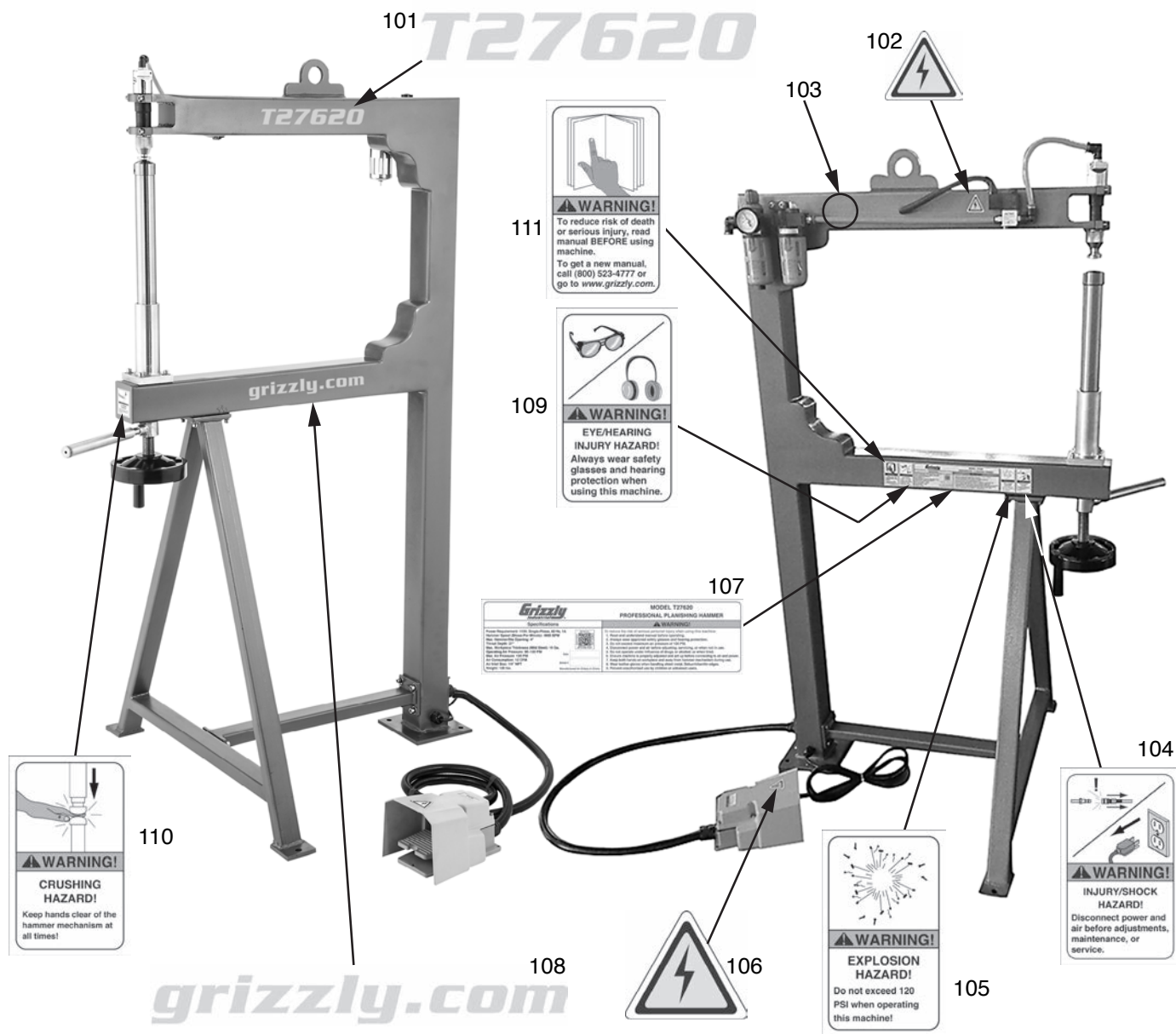


REF	PART #	DESCRIPTION
1	PT27620001	SUPPORT BRACKET
2	PT27620002	MAIN FRAME
3	PT27620003	HORIZONTAL BRACE
4	PT27620004	LEADSCREW CASING
5	PT27620005	LEADSCREW/DRIVER M27-3.0
6	PT27620006	PNEUMATIC HAMMER
7	PT27620007	RADIUS DIE 2"
8	PT27620008	HANDWHEEL TYPE-26 160D X 18B-K X M6-1
9	PT27620009	FILTER REGULATOR AIRTAC BFR2000/BL2000
10	PT27620010	LEADSCREW LOCK NUT M27-3.0, M12-1.75
11	PT27620011	ELEVATION LOCK HANDLE
12	PT27620012	HANDWHEEL HANDLE M6-1, 3-7/8 X 1
13	PT27620013	ELBOW FITTING 90 DEG, 3/8"OD X 1/4"NPT
14	PT27620014	AIRTAC SOLENOID 2V025-08 IP65
14-1	PT27620014-1	AIRTAC AC97V123V SOLENOID VALVE
15	PT27620015	STRAIGHT FITTING 3/8"OD X 1/4"NPT
16	PT27620016	FOOT SWITCH RCEN TFS-502 15A 250V
17	PT27620017	UPPER HAMMER CLAMP
18	PT27620018	LOWER HAMMER CLAMP
19	PT27620019	SPACER 27 X 36 X 3
20	PT27620020	SOLENOID VALVE MOUNTING BRACKET
21	PT27620021	ELECTRICAL COVER PLATE
22	PT27620022	FLEXIBLE HOSE 3/8" OD X 11"
23	PT27620023	FLEXIBLE HOSE 3/8" OD X 24"
24	PT27620024	WIRE WRAP 0.83" OD X 74" (POLYETHYLENE)
25	PT27620025	FENDER WASHER 6MM
26	PT27620026	CAP SCREW M6-1 X 12

REF	PART #	DESCRIPTION
27	PT27620027	FLAT WASHER 8MM
28	PT27620028	LOCK WASHER 8MM
29	PT27620029	CAP SCREW M8-1.25 X 25
30	PT27620030	FLAT WASHER 4MM
31	PT27620031	LOCK WASHER 4MM
32	PT27620032	CAP SCREW M4-.7 X 12
33	PT27620033	FLAT WASHER 6MM
34	PT27620034	LOCK WASHER 6MM
35	PT27620035	CAP SCREW M6-1 X 16
36	PT27620036	SET SCREW M6-1 X 10
37	PT27620037	KEY 6 X 6 X 18
38	PT27620038	RADIUS DIE 3/4"
39	PT27620039	RADIUS DIE 1-1/2"
40	PT27620040	RADIUS DIE 3"
41	PT27620041	RADIUS DIE 4"
42	PT27620042	RADIUS DIE 6"
43	PT27620043	RADIUS DIE 8"
44	PT27620044	RADIUS DIE 12"
45	PT27620045	FLAT DIE
46	PT27620046	FLAT HD SCREW M6-1 X 16
47	PT27620047	POWER CORD 18G 3W X 72" 5-15P
48	PT27620048	FOOT SWITCH CORD 18G 3W X 78"
49	PT27620049	SOLENOID VALVE CORD 18G 3W X 152"
50	PT27620050	STRAIN RELIEF M20-1.5 TYPE-3
51	PT27620051	STRAIN RELIEF M20-1.5 TYPE-5
52	PT27620052	WIRE WRAP 0.52" OD X 6" (POLYETHYLENE)



## T27620 Labels & Cosmetics



REF	PART #	DESCRIPTION
101	PT27620101	MODEL NUMBER LABEL
102	PT27620102	ELECTRICITY LABEL (MEDIUM)
103	PT27620103	TOUCH-UP PAINT, GRIZZLY GREEN
104	PT27620104	DISCONNECT AIR/POWER LABEL
105	PT27620105	EXPLOSION HAZARD LABEL
106	PT27620106	ELECTRICITY LABEL (LARGE)

REF	PART #	DESCRIPTION
107	PT27620107	MACHINE ID LABEL
108	PT27620108	GRIZZLY.COM LABEL
109	PT27620109	EYE/HEARING LABEL
110	PT27620110	CRUSHING HAZARD LABEL
111	PT27620111	READ MANUAL LABEL

### **!WARNING**

Safety labels help reduce the risk of serious injury caused by machine hazards. If any label comes off or becomes unreadable, the owner of this machine **MUST** replace it in the original location before resuming operations. For replacements, contact (800) 523-4777 or [www.grizzly.com](http://www.grizzly.com).

