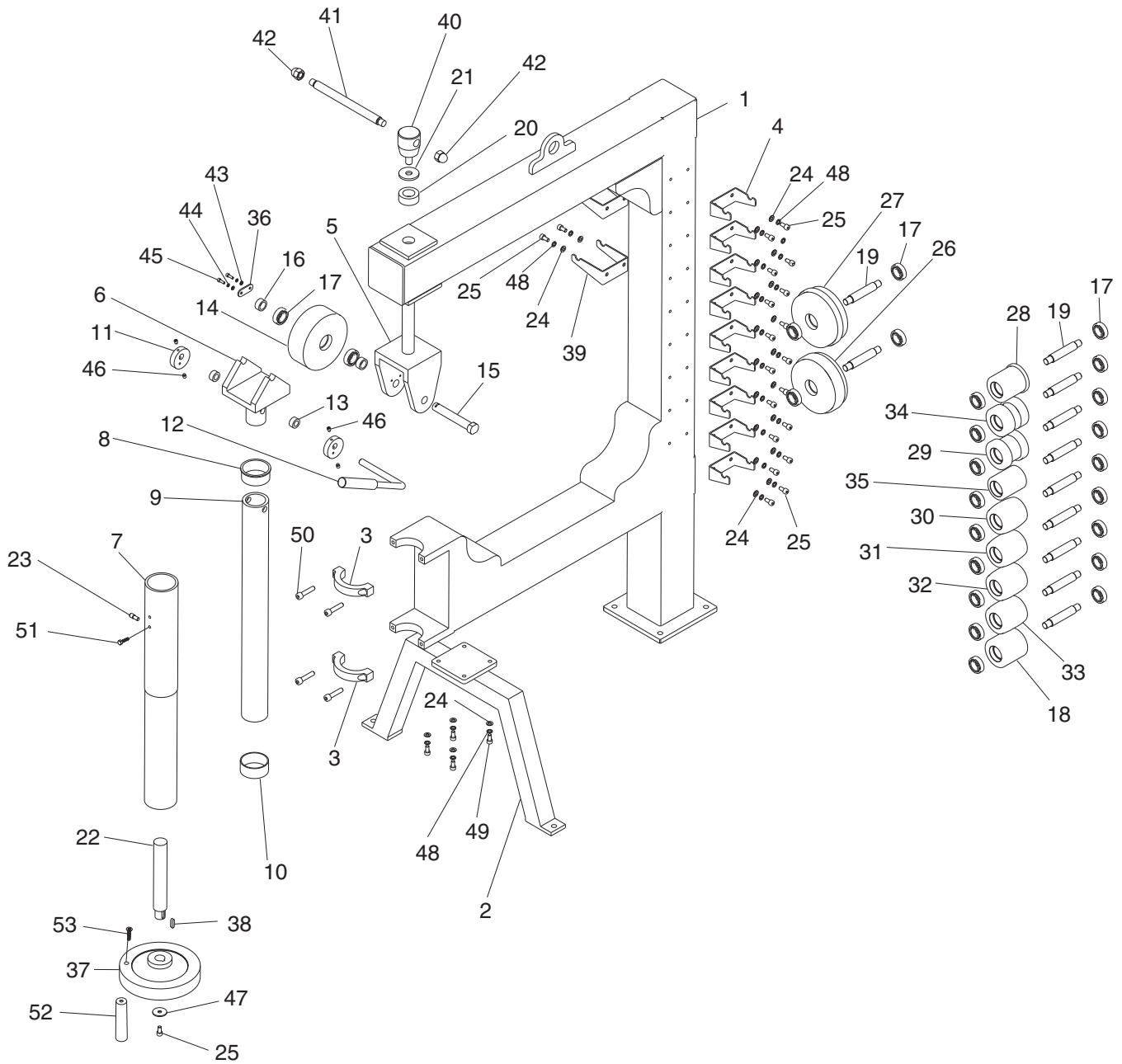


SECTION 7: PARTS

We do our best to stock replacement parts when possible, but we cannot guarantee that all parts shown are available for purchase. Call (800) 523-4777 or visit www.grizzly.com/parts to check for availability.

Main Breakdown



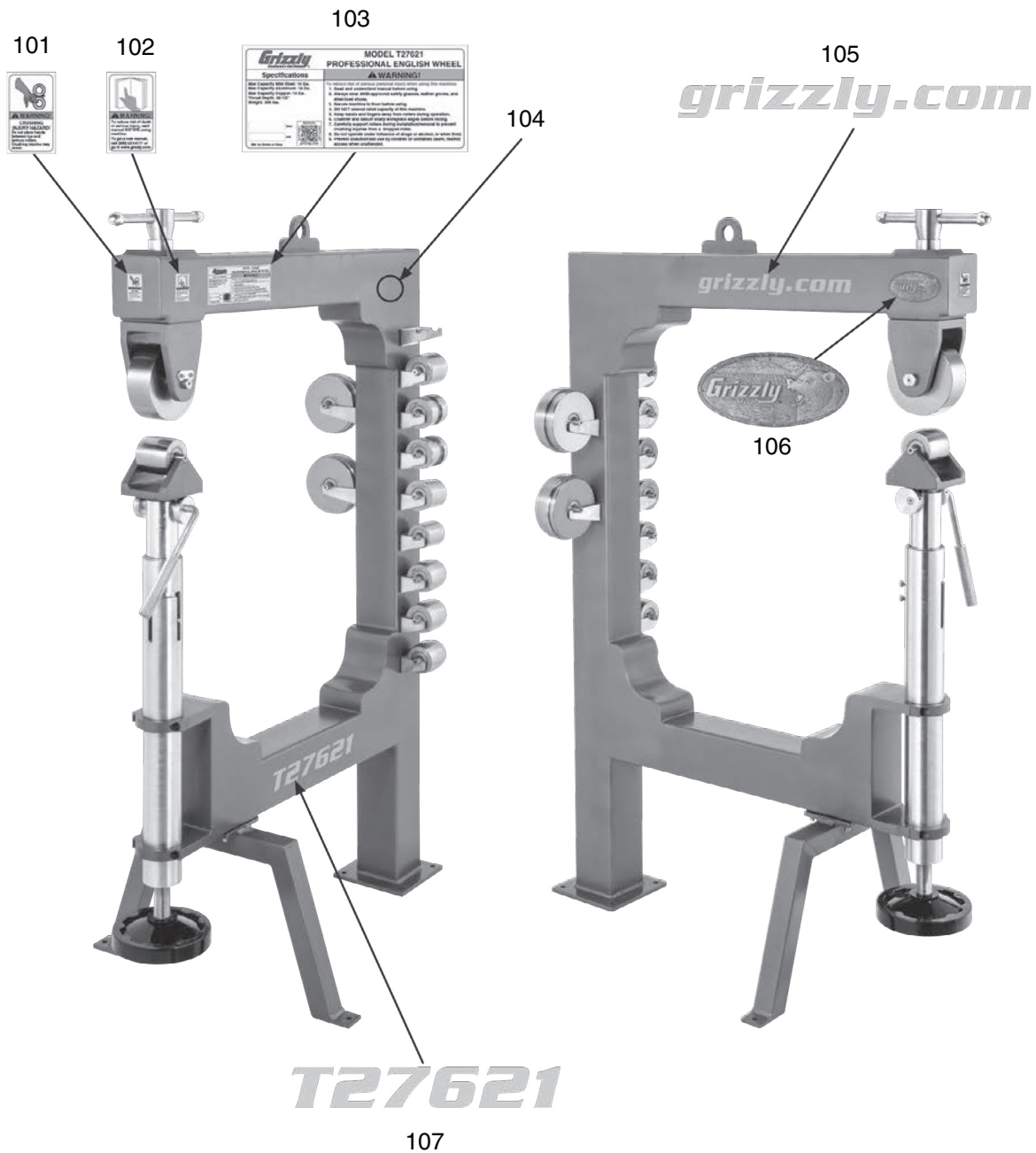
Main Parts List

REF PART #	DESCRIPTION
1	PT27621001 MAIN FRAME
2	PT27621002 SUPPORT LEGS
3	PT27621003 CLAMP
4	PT27621004 LOWER WHEEL STORAGE BRACKET
5	PT27621005 UPPER WHEEL BRACKET M16-2
6	PT27621006 LOWER WHEEL BRACKET
7	PT27621007 OUTER TUBE
8	PT27621008 OUTER TUBE BUSHING (TOP)
9	PT27621009 INNER TUBE
10	PT27621010 OUTER TUBE BUSHING (BOTTOM)
11	PT27621011 CAM
12	PT27621012 QUICK-RELEASE LEVER
13	PT27621013 CAM SHAFT SPACER 12 X 25 X 5
14	PT27621014 UPPER WHEEL, FLAT
15	PT27621015 UPPER WHEEL AXLE 20 X 126MM
16	PT27621016 UPPER WHEEL SPACER 13 X 28
17	PT27621017 BALL BEARING 6004Z
18	PT27621018 LOWER WHEEL, FLAT 3" DIA.
19	PT27621019 LOWER WHEEL RESTING SHAFT
20	PT27621020 ADJ. SCREW SPACER 20 X 50 X 10MM
21	PT27621021 FLAT WASHER 16MM
22	PT27621022 HANDWHEEL LEADSCREW M33-1.5
23	PT27621023 FILLISTER HEAD SCREW M8-1.25 X 8
24	PT27621024 FLAT WASHER 8MM
25	PT27621025 CAP SCREW M8-1.25 X 16 (SS)
26	PT27621026 UPPER WHEEL, WIDE RIDGE
27	PT27621027 UPPER WHEEL, NARROW RIDGE

REF PART #	DESCRIPTION
28	PT27621028 LOWER WHEEL, STEP ROLLER
29	PT27621029 LOWER WHEEL, WIDE GROOVE
30	PT27621030 LOWER WHEEL, 1/8" DOME
31	PT27621031 LOWER WHEEL, 1/4" DOME
32	PT27621032 LOWER WHEEL, 1/2" DOME
33	PT27621033 LOWER WHEEL, 3/4" DOME
34	PT27621034 LOWER WHEEL, NARROW GROOVE
35	PT27621035 LOWER WHEEL, FLAT 2.43" DIA.
36	PT27621036 LOCKING BRACKET
37	PT27621037 HANDWHEEL TYPE-27 200D X 25B-K X M6-1
38	PT27621038 KEY 8 X 4 X 25
39	PT27621039 UPPER WHEEL SUPPORT BRACKET
40	PT27621040 ADJUSTMENT SCREW M16-2
41	PT27621041 ADJUSTMENT HANDLE M16-2, 20 X 220MM
42	PT27621042 ACORN NUT M16-2
43	PT27621043 FLAT WASHER 5MM
44	PT27621044 LOCK WASHER 5MM
45	PT27621045 CAP SCREW M5-.8 X 10
46	PT27621046 SET SCREW M6-1 X 10
47	PT27621047 FENDER WASHER 8MM
48	PT27621048 LOCK WASHER 8MM
49	PT27621049 CAP SCREW M8-1.25 X 25 (SS)
50	PT27621050 CAP SCREW M10-1.5 X 30 (SS)
51	PT27621051 HEX BOLT M8-1.25 X 20 (BRASS)
52	PT27621052 HANDWHEEL HANDLE M6-1 X 16, 27 X 80MM
53	PT27621053 FLAT HD SCR M6-1 X 16



Labels & Cosmetics Parts List



REF	PART #	DESCRIPTION
101	PT27621101	CRUSHING INJURY HAZARD LABEL
102	PT27621102	READ MANUAL LABEL
103	PT27621103	MACHINE ID LABEL
104	PT27621104	TOUCH-UP PAINT, GRIZZLY GREEN

REF	PART #	DESCRIPTION
105	PT27621105	GRIZZLY.COM LABEL
106	PT27621106	GRIZZLY NAMEPLATE
107	PT27621107	MODEL NUMBER LABEL

⚠️ WARNING

Safety labels help reduce the risk of serious injury caused by machine hazards. If any label comes off or becomes unreadable, the owner of this machine **MUST** replace it in the original location before resuming operations. For replacements, contact (800) 523-4777 or www.grizzly.com.

