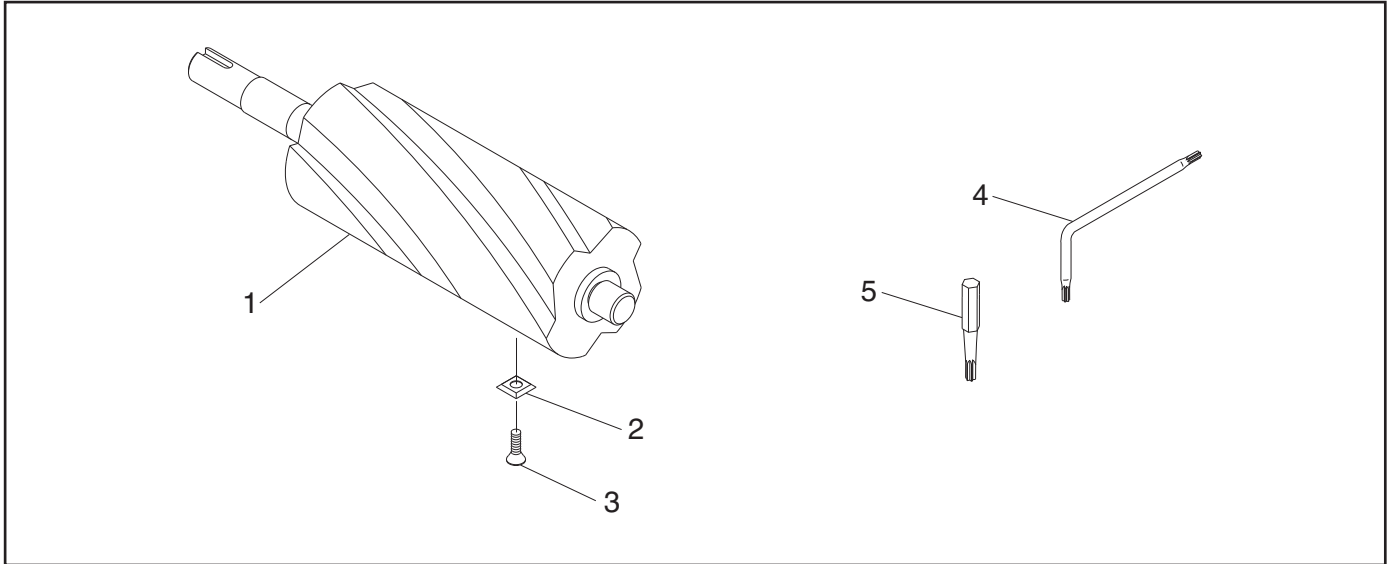


T27698 Parts Breakdown and List



REF PART #	DESCRIPTION
1	PT27698001 CUTTERHEAD 6" HELICAL
2	PT27698002 INDEXABLE INSERT 15 X 15 X 2.5
3	PT27698003 FLAT HD TORX SCR T20 M6-1 X 15

REF PART #	DESCRIPTION
4	PT27698004 L-WRENCH TORX T20
5	PT27698005 DRIVER BIT TORX T20

